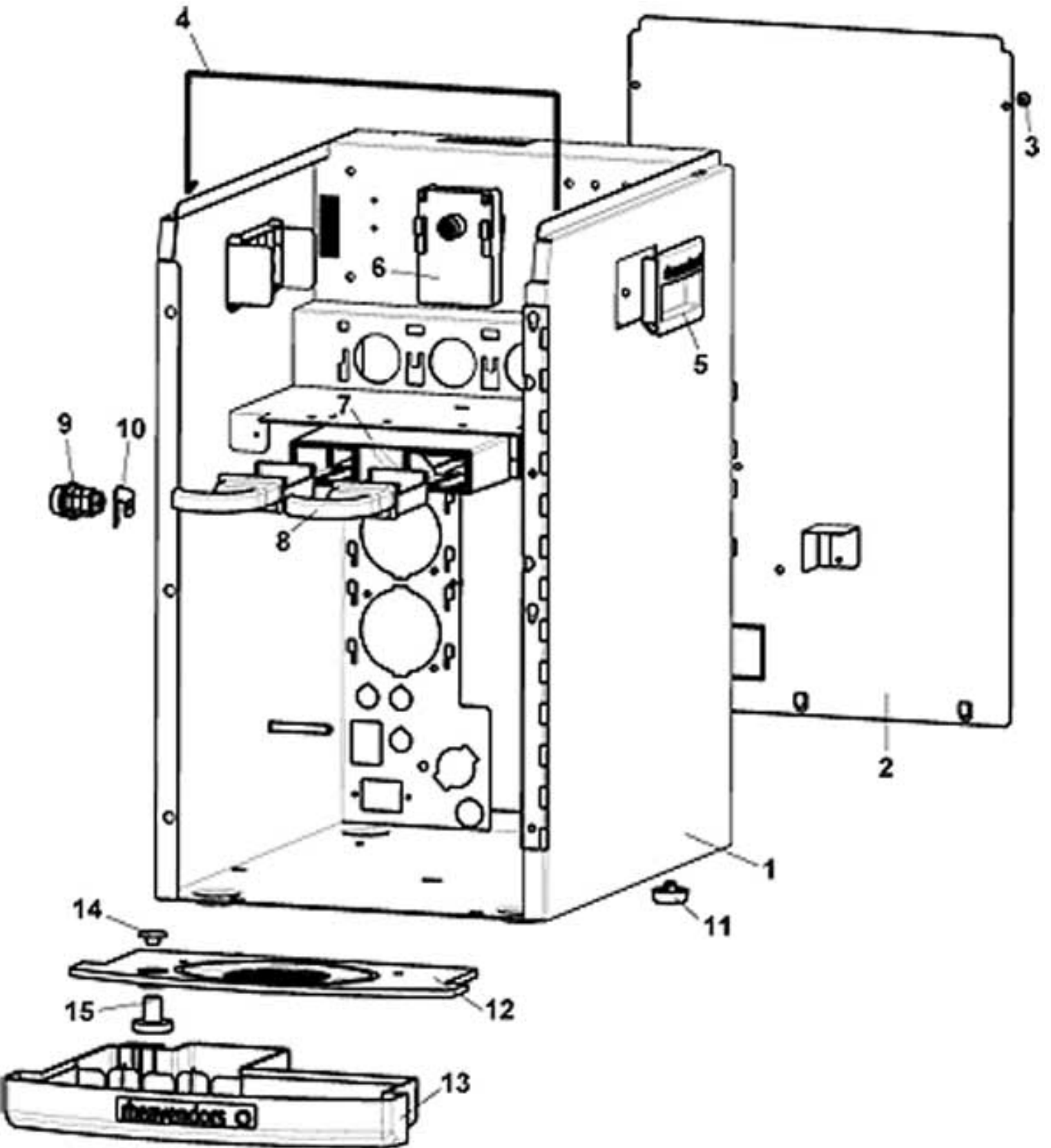


vending machine

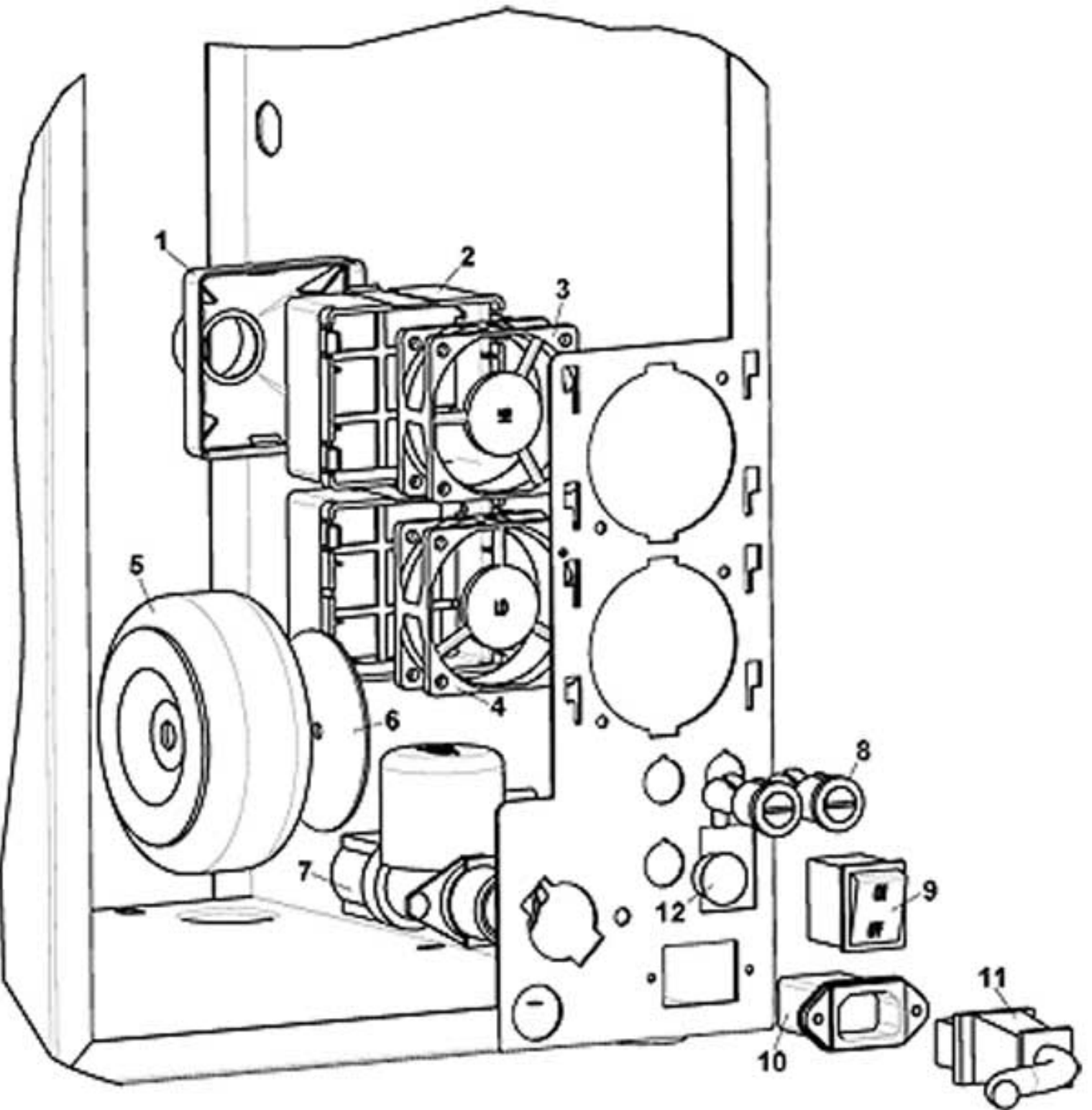
[XX OC]

spare parts manual

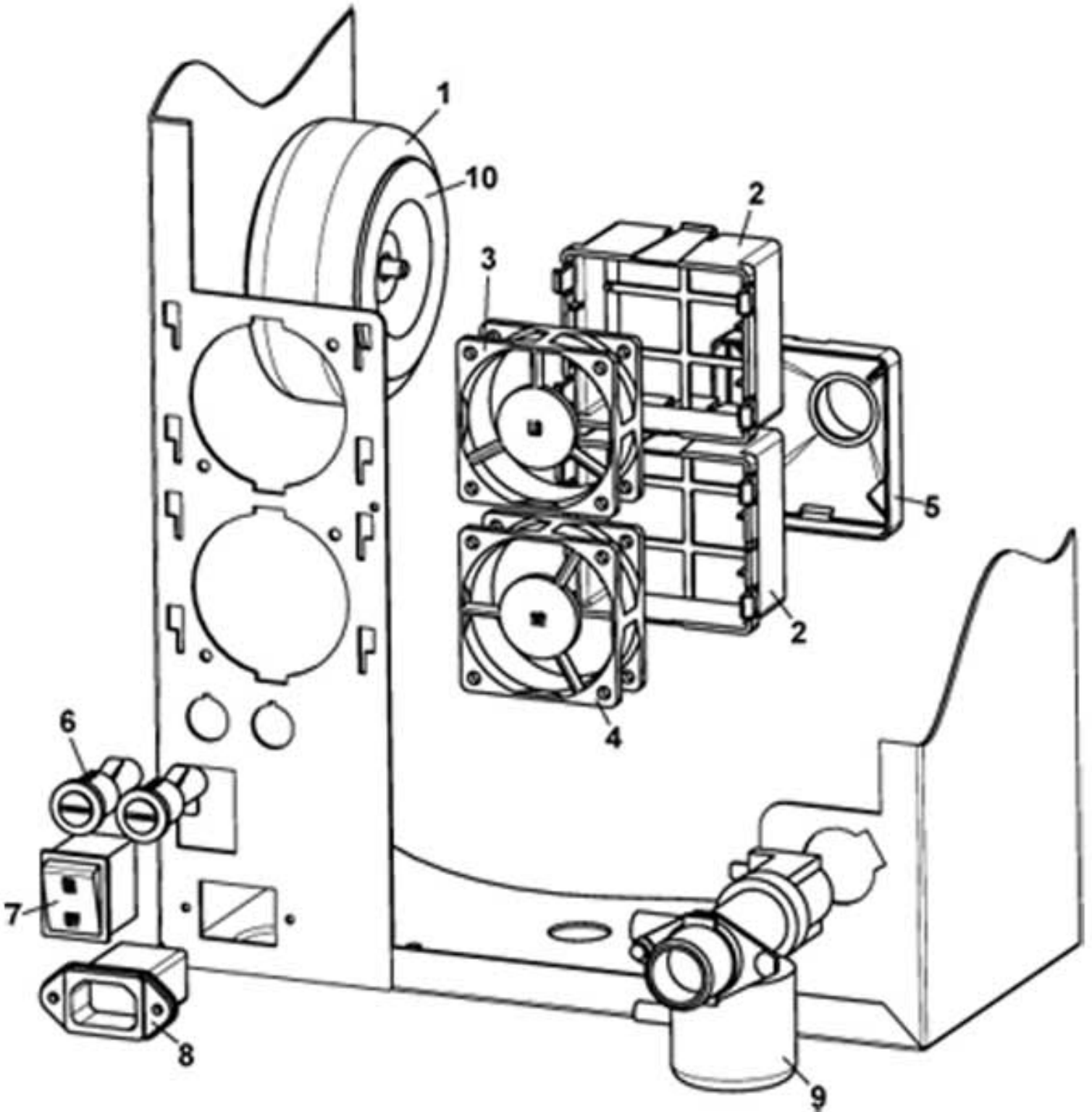


Pos.	Code	Description
1	0010027335	XX OC CABINET STRUCTURE
2	0010027318	BACK COVER
	0010027318CM	
	0010027318CZ	
	0010027318GH	
3	VIT0002401	TAPPING SCREW TCB 3.5 x 9.5
4	0010027262	UPPER COVER CONNECTION
5	0010027058	EXTERNAL HANDLE
6	0090002113	MR NCJM2480-X 24VDC
7	0010027021	EXHAUST DRAWER
8	0010027022	EXTERNAL EXHAUST DRAWER
9	SER0000024	LOCK 154 BOX 5 DT mm 20 RAPID
10	0020035615	LOCK BRACKET
11	GUA0011011	D.25 SELFLOCKING FEET WITH PIN
12	0020037117	WATER COLLECTION TRAY GRATE
	0020037117AG	
	0020037117CF	
	0020037117NA	
	0020037117XC	
13	0020037116	WATER TRAY
	0020037116CF	
	0020037116CM	
	0020037116CV	
	0020037116GH	
	0020037116NA	
	0020037116NC	
14	0020037045	FLOATER "T"RAL3020 XX
15	0020037046	FLOATER "T"RAL3020 XX

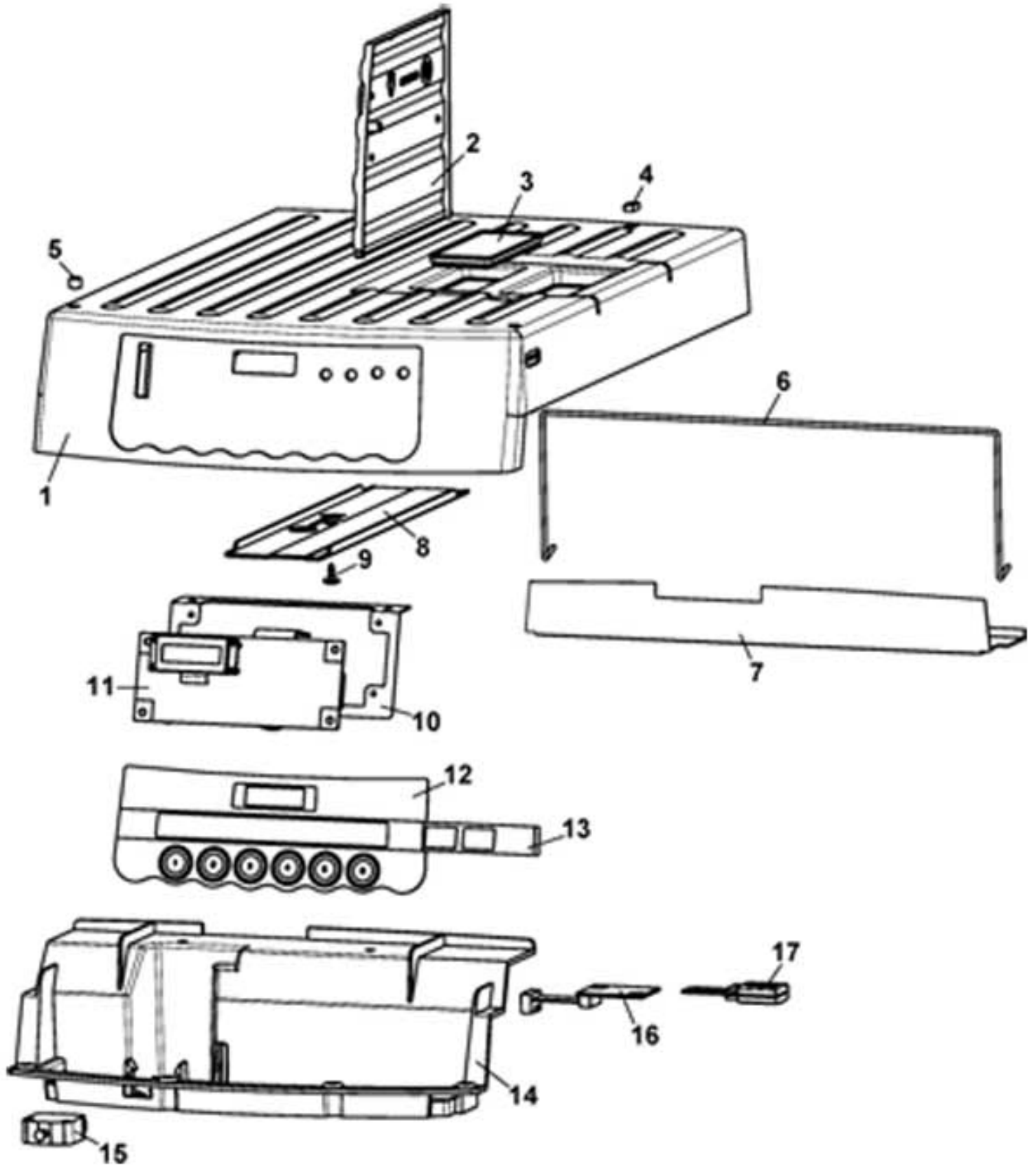
Pos.	Code	Description
1	0010027425	CABINET STRUCTURE
2	0010027058	EXTERNAL HANDLE
3	0010020169	CABINET FEET ASSEMBLY
4	VIT0004508	NUT M6 x 7
5	0010027228	BACK COVER
6	0010027214	EXHAUST DRAWER
7	0010027022	EXTERNAL EXHAUST DRAWER
8	0090002113	MR NCJM2480-X 24VDC
9	ELE0062253	ADHESIVE CABLE STOP
10	0270011109	SERVICE KEY ASSEMBLY
11	0010027248	BLACK COVER E MILL
12	VIT0002401	TAPPING SCREW TCB 3.5 x 9.5
13	0010027249	sticker of e mill
14	VIT0000007	M 3x20 TCB SCREW
15	4600010014	MICRO SPACER
16	ELE0001522	1-WAY 16 A 250 V MICROSWITCH
17	VIT0004701	M3 FR NUT
18	ELE0062013	BOARD SUPPORT
19	See table	CONTROL AND POWER LOGIC
20	See table	CONTROL AND POWER LOGIC
21	0010027222	GROUNDS CONTAINER
22	0020037116	WATER TRAY
	0020037116CF	
	0020037116CM	
	0020037116CV	
	0020037116GH	
	0020037116NA	
	0020037116NC	
23	0020037117	WATER COLLECTION TRAY GRATE
	0020037117AG	
	0020037117CF	
	0020037117NA	
	0020037117XC	
24	0020037046	FLOATER "T"RAL3020 XX
25	0020037045	FLOATER "T"RAL3020 XX



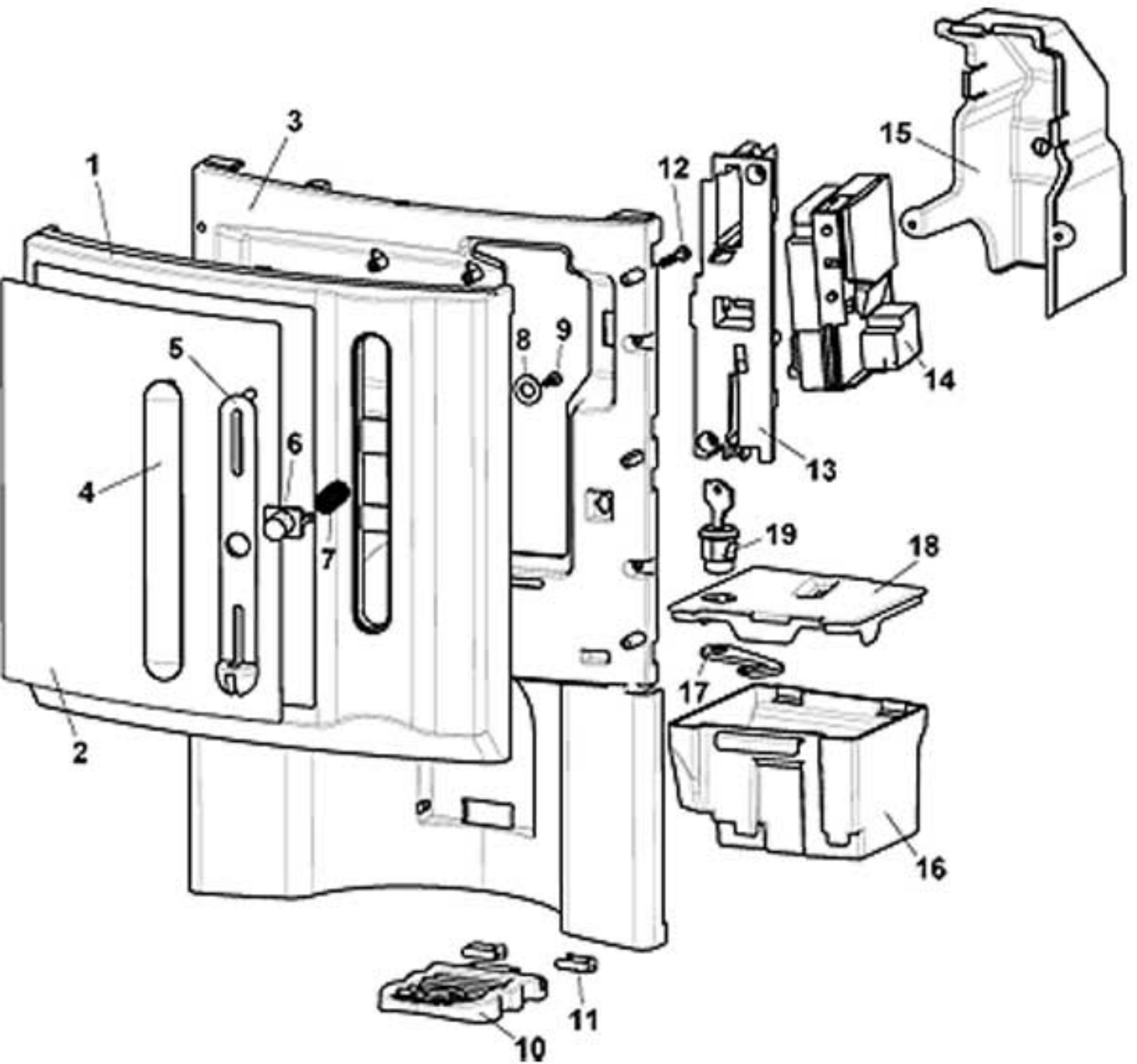
Pos.	Code	Description
1	0010027065	CONNECTION CONDUIT
2	0010027064	FAN TRAY
3	ELE0000461	AXIAL FAN AD0624HS 24DC
4	ELE0000462	AXIAL FAN FL0625LD 24DC
5	ELE0000555CL	TOROIDAL TRANSFORMER 230V
6	0010027319	TRANSFORMER DISK
7	0110001039	24 DC INLET VALVE W/SAFETY DEV.
8	ELE0003508CL	FUSES HOLDER FH-C0345+FUSE12A
9	ELE0002014	15A 250V ON/OFF UL/CSA BIPOLAR SWITCH
10	ELE0002315	FILTER SOCKET 115/250V 10A
11	ELE0055008	POWER LEAD 3 x 1 SOCKET AND SCHUKO PLUG
12	GUA0011010	RELEASE PLUG



Pos.	Code	Description
1	ELE0000555CL	TOROIDAL TRANSFORMER 230V
2	0010027064	FAN TRAY
3	ELE0000462	AXIAL FAN FL0625LD 24DC
4	ELE0000461	AXIAL FAN AD0624HS 24DC
5	0010027065	CONNECTION CONDUIT
6	ELE0003508CL	FUSES HOLDER FH-C0345+FUSE12A
7	ELE0002014	15A 250V ON/OFF UL/CSA BIPOLAR SWITCH
8	ELE0002315	FILTER SOCKET 115/250V 10A
9	0110001058	EV.DIS.SICUR.800.150 MOD.24VDC
10	0010027319	TRANSFORMER DISK

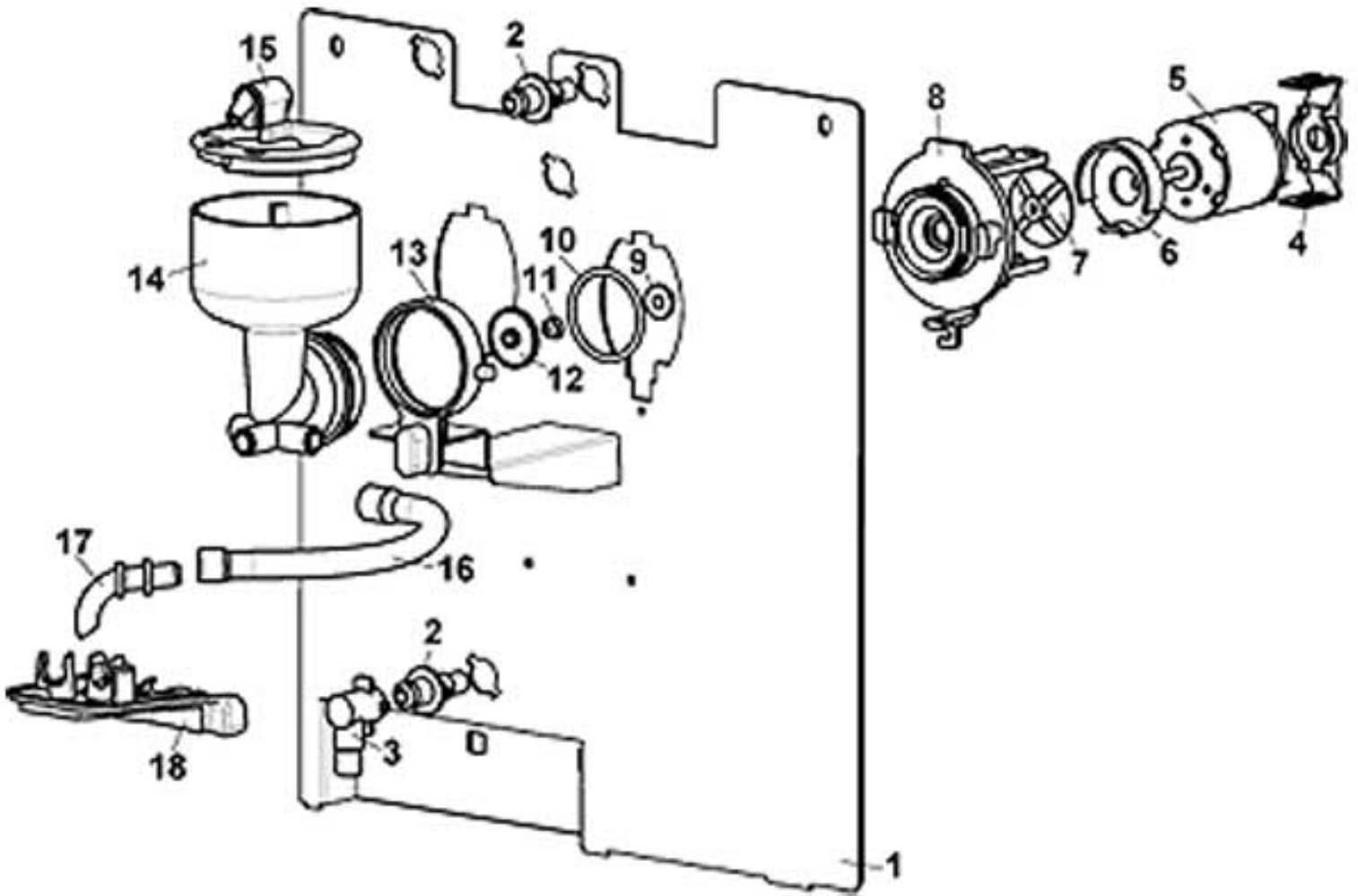


Pos.	Code	Description
1	0010027251	UPPER COVER
	0010027251CG	
	0010027251CM	
	0010027251CU	
	0010027251CV	
	0010027251GH	
	0010027251NA	
2	0010027252	H2O COVER
	0010027252CG	
	0010027252CM	
	0010027252CU	
	0010027252CV	
	0010027252GH	
	0010027252NA	
3	0010027259	H2O HOLE PLUG
4	0010027343	RING SUPPORT PLUG
5	0010027344	RING PLUG
6	0010027262	UPPER COVER CONNECTION
7	0010027260	UPPER COVER HINGE
8	0010027274	CABLES COVER
9	VIT0002401	TAPPING SCREW TCB 3.5 x 9.5
10	0010027268	DISPLAY BOARD SUPPORT
11	See table CONTROL AND POWER LOGIC	
12	0010027351	KEYBOARD
13		
14	0010027253	
	0010027253CM	
	0010027253CV	
	0010027253GH	
	0010027253NA	
15	ELE0002019	SWITCH 16A-250V UL
16	See table CONTROL AND POWER LOGIC	
17	0020040310CL	RHEA FLASH MEMORY

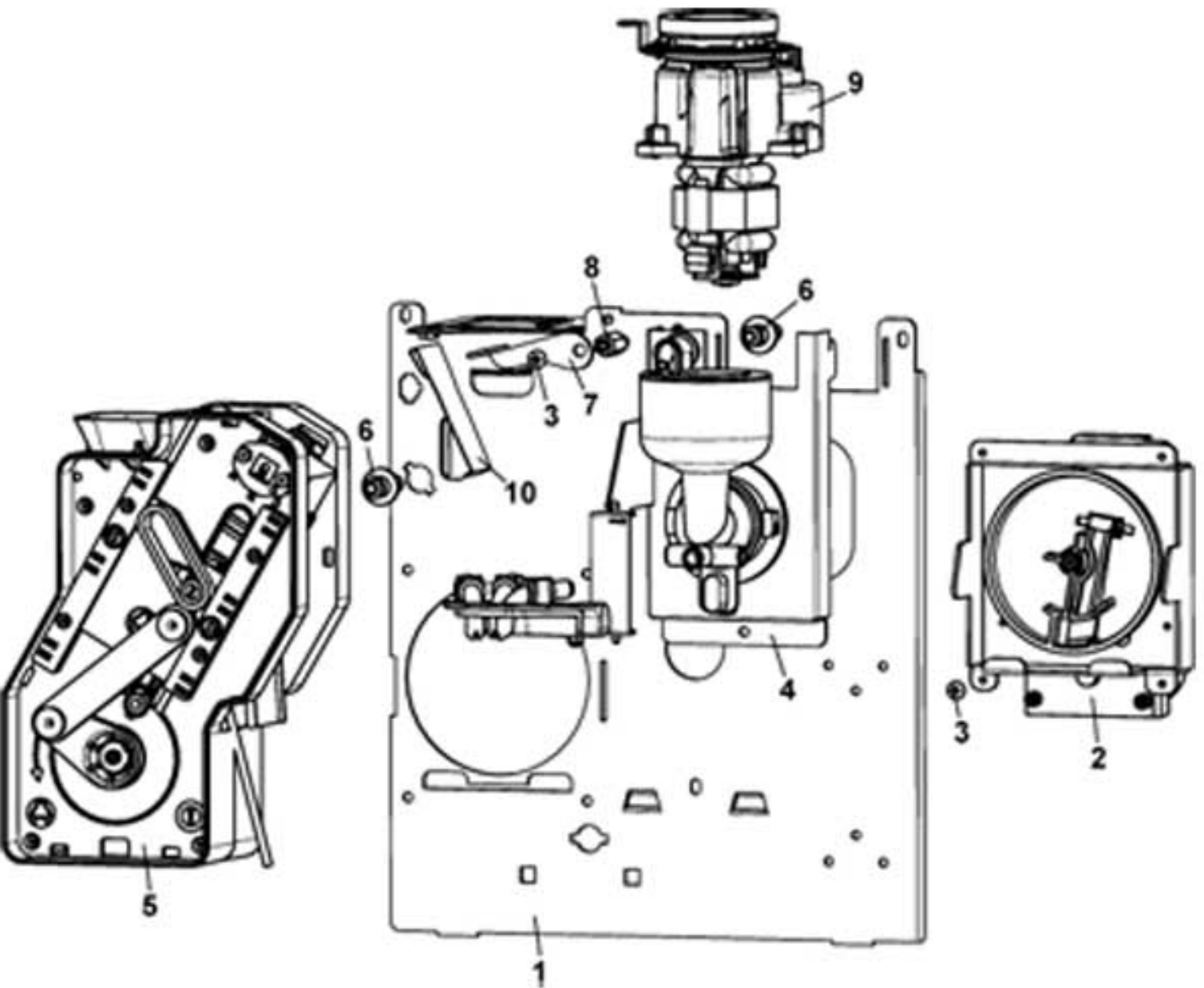


Pos.	Code	Description
1	0020037143	XX OC DOOR
	0020037143CG	
	0020037143CM	
2		
3	0020037142	DOOR STRUCTURE
4	0020035029	COIN BOX BLOCKING TAB
	0020035029KB	
	0020035029NA	
5	0020035031	COIN BOX TAB
6	0020035033	COIN RETURN BUTTON 3020
7	0020035034	COIN RETURN BUTTON SPRING
8	VIT0003006	8.4x17x1.6 WASHER
9	VIT0002469	SCREW TC 3.5 x 10 FOR PLASTIC
10	0020037122	CUP SUPPORT TRAY
	0020037122AG	
	0020037122NA	
11	0020037124	CUP SUPPORT PIN
	0020037124NA	
12	VIT0002461	SCREW TCCRT 4,2 x 26
13	0020035032	
14		
15	0020037129	COIN BOX PROTECTION
16	0020037126	COIN BOX
17	0020037128	COIN BOX HOOK
18	0020037127	COIN BOX COVER
19	SER0000015	154 RAPID BOX LOCK
100	0020037125CL	COIN BOX ASSEMBLY (FROM POS. 16 TO POS. 19)

*

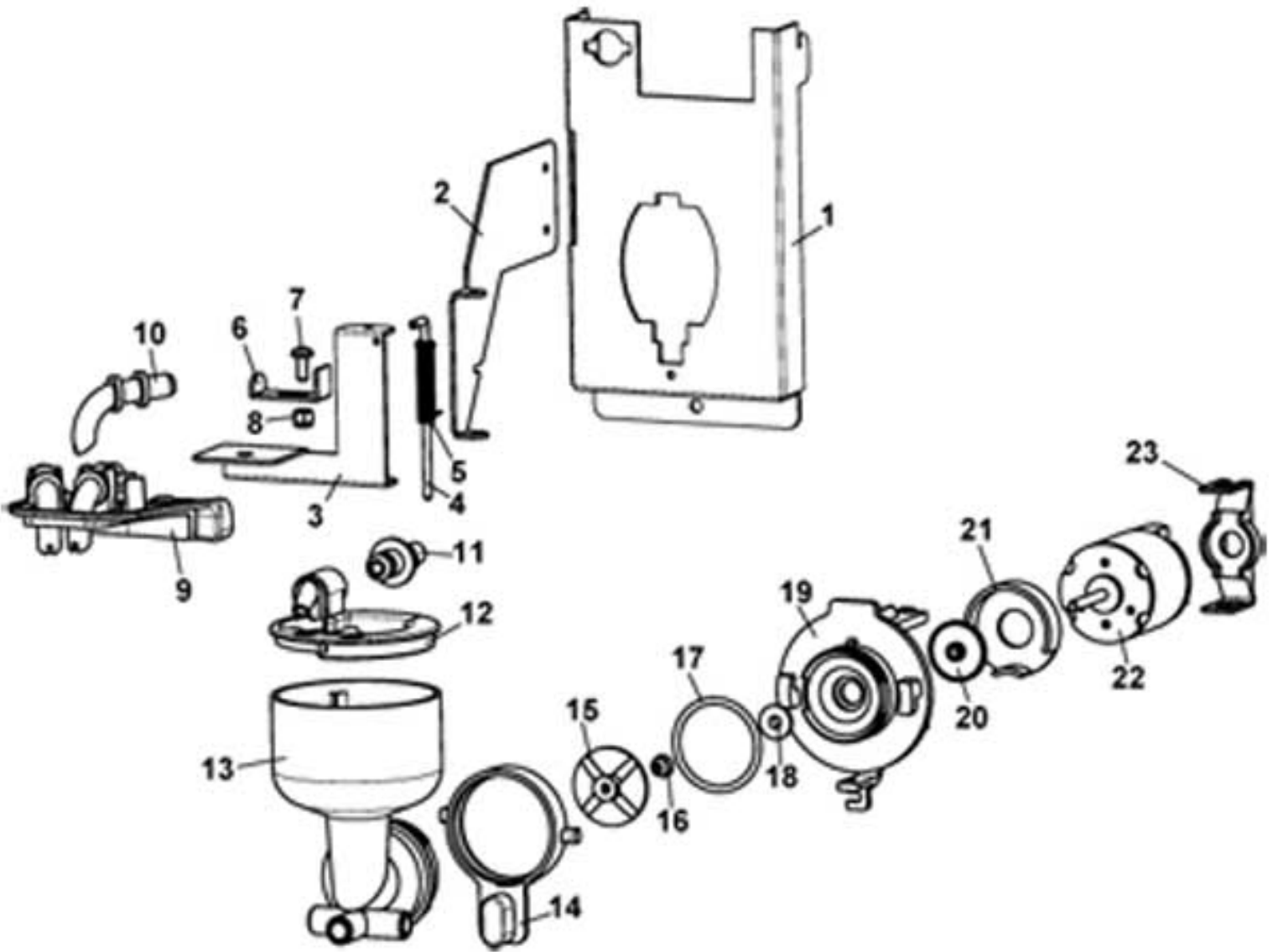


Pos.	Code	Description	
1	0010027315	MIXER PLAN	
	0010027315CM		
	0010027315CZ		
	0010027315GH		
2	0080100043	SHORT MIXER INSERT	
3	0600016030	Overflow fitting	
4	0080100009	MOTOR HOUSING CONNECTION	
	0080100009IC		
5	0090003023	24 V DC MIXER MOTOR SHAFT D.4	
6	0080100023	MIXER COVER	
	0080100023IC		
7	0080100011	SMALL FAN MIXER SHAFT D.4	
	0080100011PL		
8	0080100005	MIXER BASE	
9	0080100015	MIXER BASE BUSH	
10	GUA0000084	OR 3131	
11	0080100014	MIXER SHAFT GASKET D.4	
12	0080100024	DRIP TRAP FAN	
13	0080100006	STOPPER RING	
	0080100006IC		
14	0080100041	MIXER BODY NO INLET	
	0080100041PL		
15	0080100042	MIXER TRAP WITH INLET	
	0080100042PL		
16	TSIL06/11T	TRANSPARENT SILICONE PIPE	
17	0010020052	INGREDIENT PIPE	
18	0020037123	PIPES SUPPORT	
	0020037123NA		
100	0080100001R	MIXER BASE+MOTOR ASSEMBLY	assieme

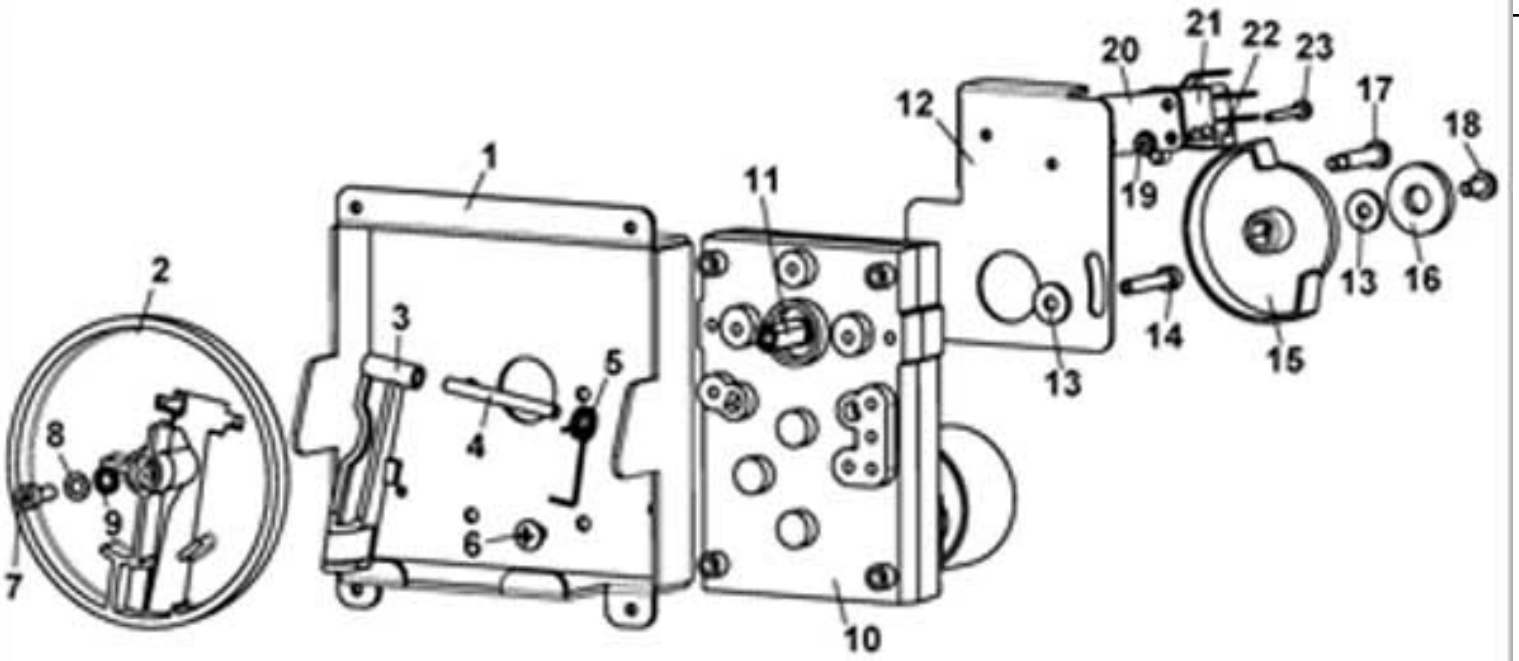


XX OC - ASSEMBLED MIXER PLAN

Pos.	Code	Description
1	0010027219	MIXER PLAN
2	See table	MICRO COFFEE GROUP MOTOR SUPPORT
3	VIT0000030	SCREW TCB M4 x 7
4	See table	MIXER
5	See table	MICRO COFFEE GROUP
6	0080100043	SHORT MIXER INSERT
7	0010027226	COFFEE BEANS GROUP FIXING LEVER
8	0010020196	MICRO GROUP HOOKING BLOCK
9	See table	VERTICAL MILL GROUP
10	0250008038	COFFEE BEANS GROUP COBE CHUTE

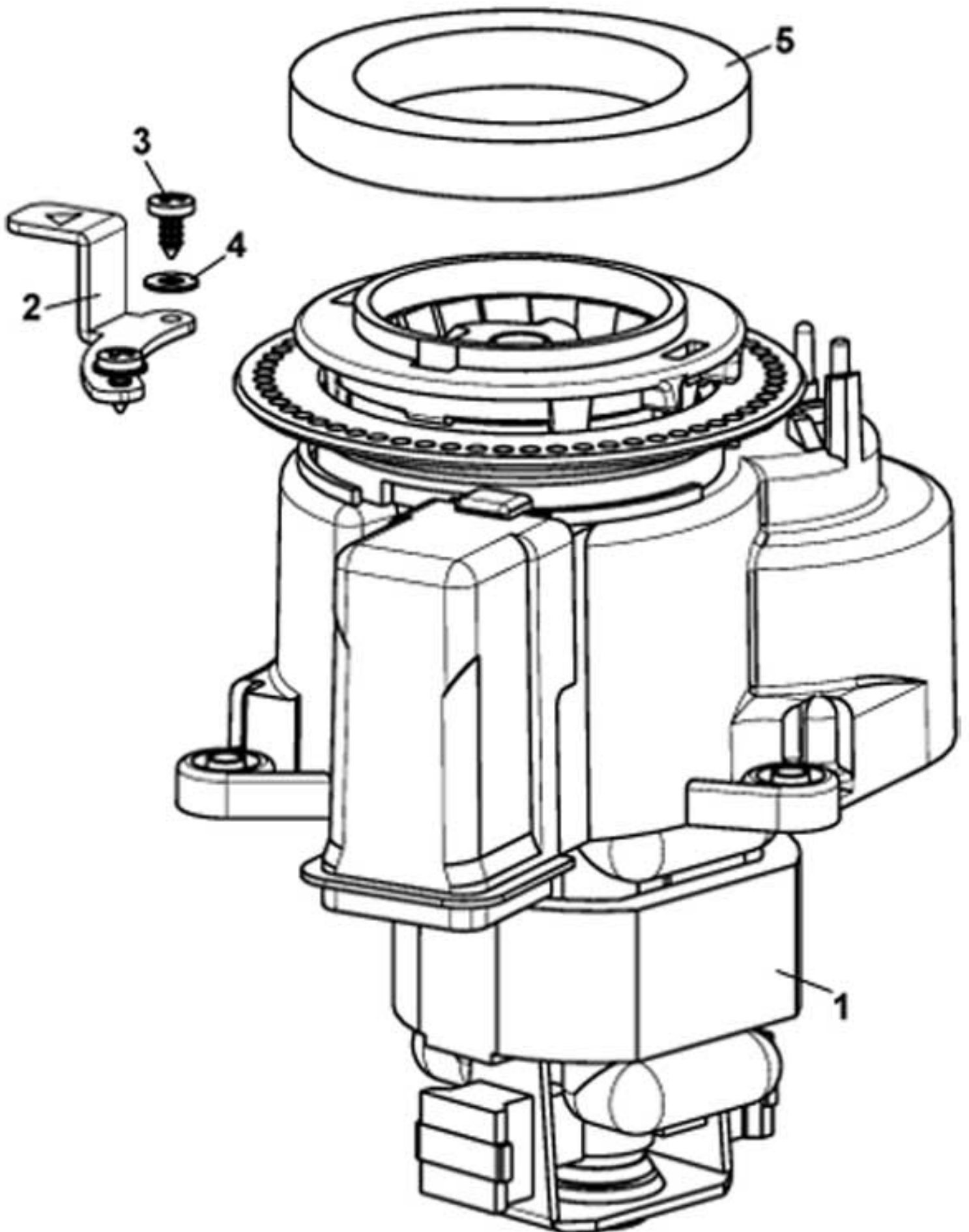


Pos.	Code	Description
1	0010027215	MIXER SUPPORT
2	0010027246	JOIN SIDE
3	0010027247	JOIN FRONTAL
4	0010020137	JOIN PIN
5	0010020138	JOINT SPRING
6	0010020737	LEVER STOP JOIN
7	VIT0000038	M 4x10 TCB SCREW
8	VIT0004810	M 4 SELFLOCKING NUT
9	0020037123	PIPES SUPPORT
	0020037123NA	
10	0010020052	INGREDIENT PIPE
11	0080100043	SHORT MIXER INSERT
12	0080100042	MIXER TRAP WITH INLET
	0080100042PL	
13	0080100041	MIXER BODY NO INLET
	0080100041PL	
14	0080100006	STOPPER RING
	0080100006IC	
15	0080100011	SMALL FAN MIXER SHAFT D.4
	0080100011PL	
16	0080100014	MIXER SHAFT GASKET D.4
17	GUA0000084	OR 3131
18	0080100015	MIXER BASE BUSH
19	0080100005	MIXER BASE
20	0080100024	DRIP TRAP FAN
21	0080100023	MIXER COVER
	0080100023IC	
22	0090003023	24 V DC MIXER MOTOR SHAFT D.4
23	0080100009	MOTOR HOUSING CONNECTION
	0080100009IC	
100	0010027215CL	ASSEMBLED MIXER SUPPORT
101	0080100004R	MIXER BASE+MOTOR ASSEMBLY FROM POS. 15 TO POS. 23



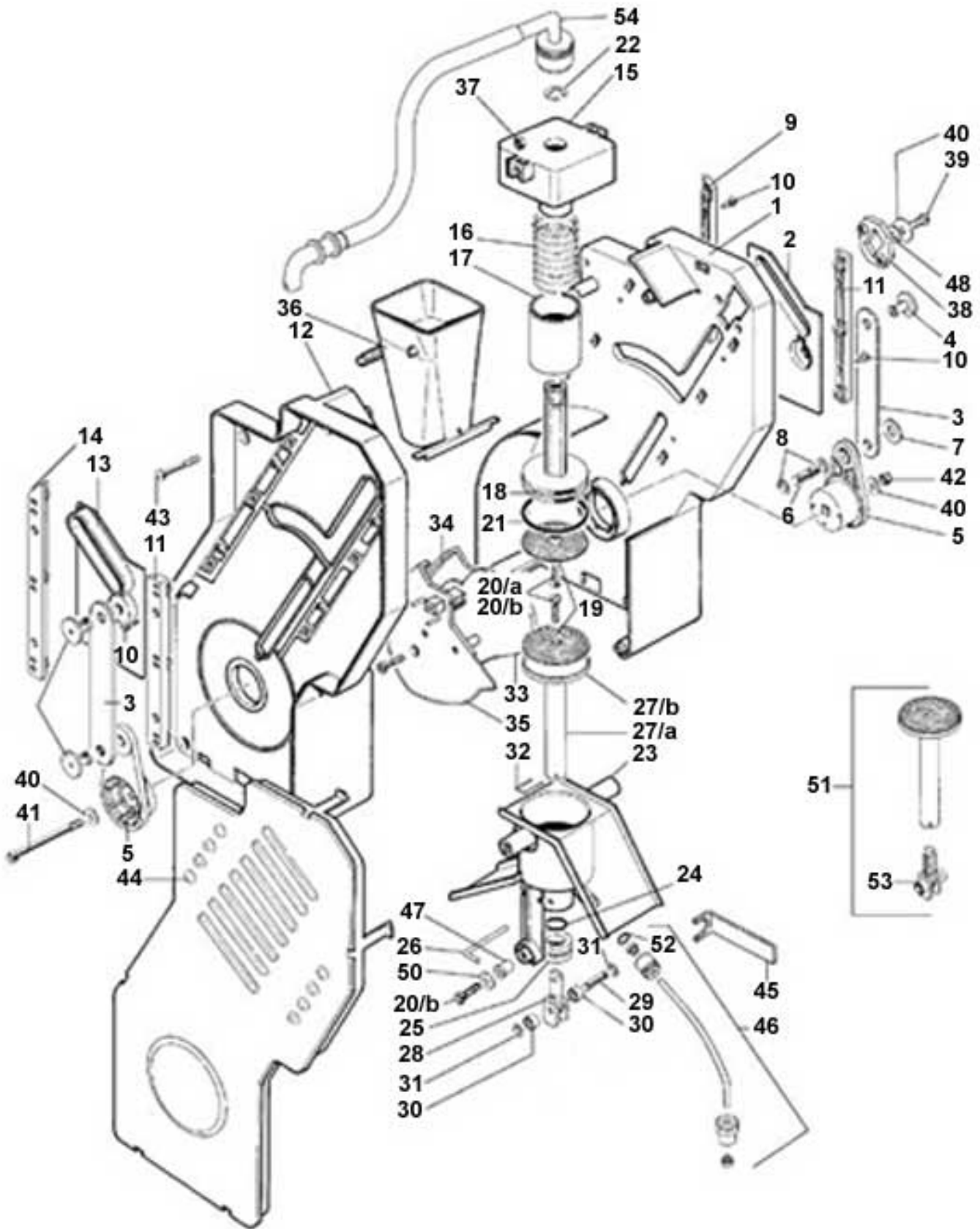
XX OC - MICRO COFFEE GROUP MOTOR SUPPORT

Pos.	Code	Description
1	0260010128	MICRO GROUP MOTOR SUPPORT
2	0250008012	MOTOR CRANK
3	0250008034	HOOKING LEVER
4	VIT0005205	4 x 40 CYLINDRICAL PIN
5	0250008059	SPRING FOR HOOKING LEVER
6	VIT0000030	SCREW TCB M4 x 7
7	VIT0005508	4x12 TCEI SCREW
8	VIT0003003	WASHER D.8 x 4.3 x 0.8
9	VIT0003103	WASHER tab D. 4.3
10	0090002191	11 RPM 24V DC MOTOR
11	0090002181	COFFEE BEANS GROUP SHAFT
12	0250008093	MICRO PLATE
13	VIT0003301	WASHER D.12 x 4.3 x 1.5
14	VIT0005521	4x25 TCEI SCREW
15	0250008043	GROUP READER DISK
16	0250008091	MICRO SPACER
17	0250008126	SPECIAL M4 PIN
18	VIT0000012	SCREW T.C.B. M 4 x 10
19	VIT0004701	M3 FR NUT
20	4600010014	MICRO SPACER
21	ELE0001528	MICRO 83.161.832
22	ELE0001904	MICRO LEVER
23	VIT0000007	M 3x20 TCB SCREW
100	0260010128CL	230V ASSEMBLED MICRO GROUP MOTOR SUPORT
101	0090002191R	ASSEMBLED 11 RPM 24V DC MOTOR POS. 10+11



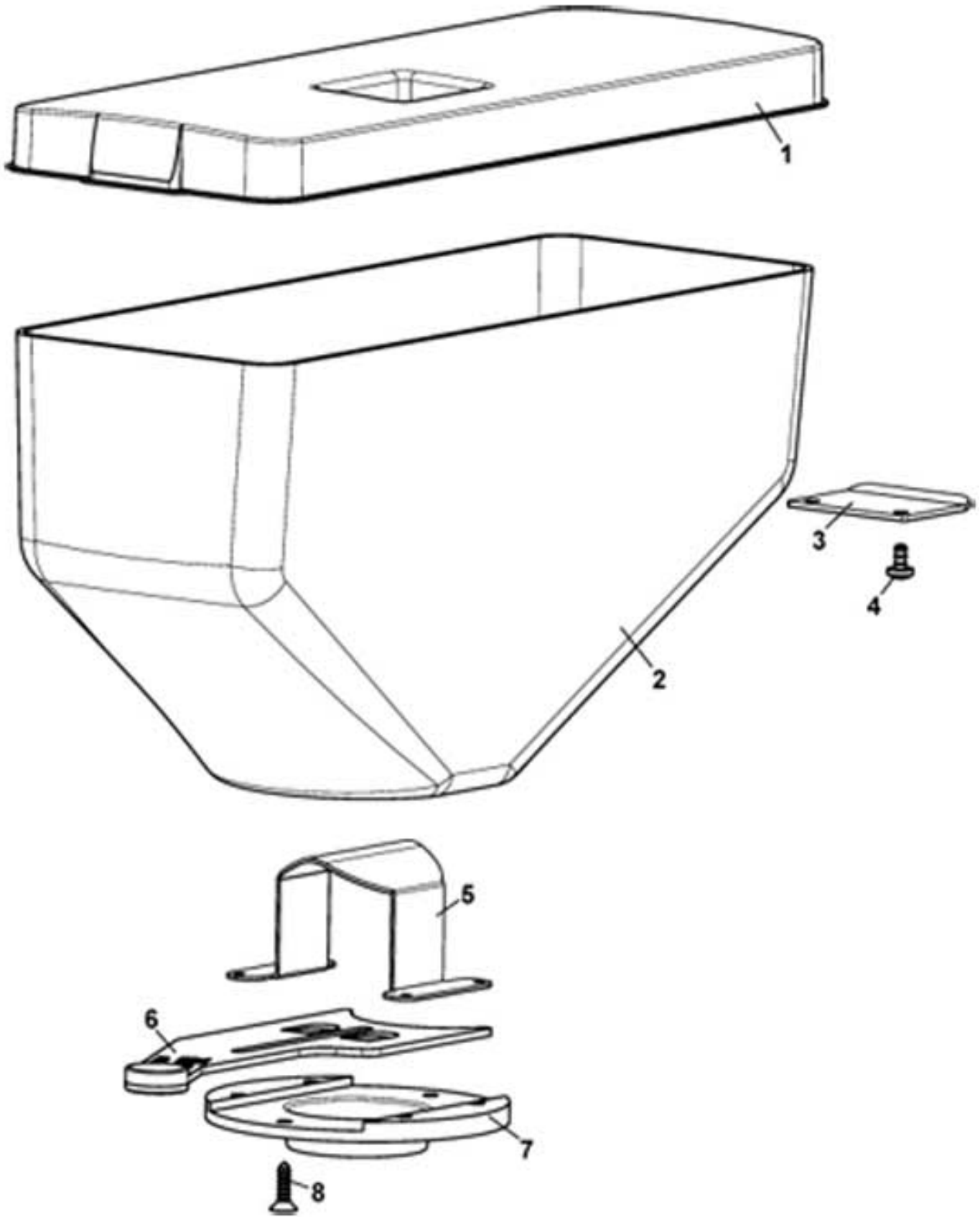
XX OC - VERTICAL MILL GROUP

Pos.	Code	Description
1/a	0320004500CL	230V E MILL WITH REGULATION FOR COFFEE BEANS GROUP D. 36
1/b	0320004500CL1	230V E MILL WITH REGULATION FOR COFFEE BEANS GROUP D. 40
2	0010027202	E MILL REGULATION LEVER FOR COFFEE BEANS GROUP D. 40
3	VIT0002001	2.9x 6.5 TAPPING TCB SCREW FOR COFFEE BEANS GROUP D. 40
4	VIT0003002	D.3.2x7x0.5 WASHER FOR COFFEE BEANS GROUP D. 40
5	0230015219	RING FOR COFFEE BEANS GROUP D. 40



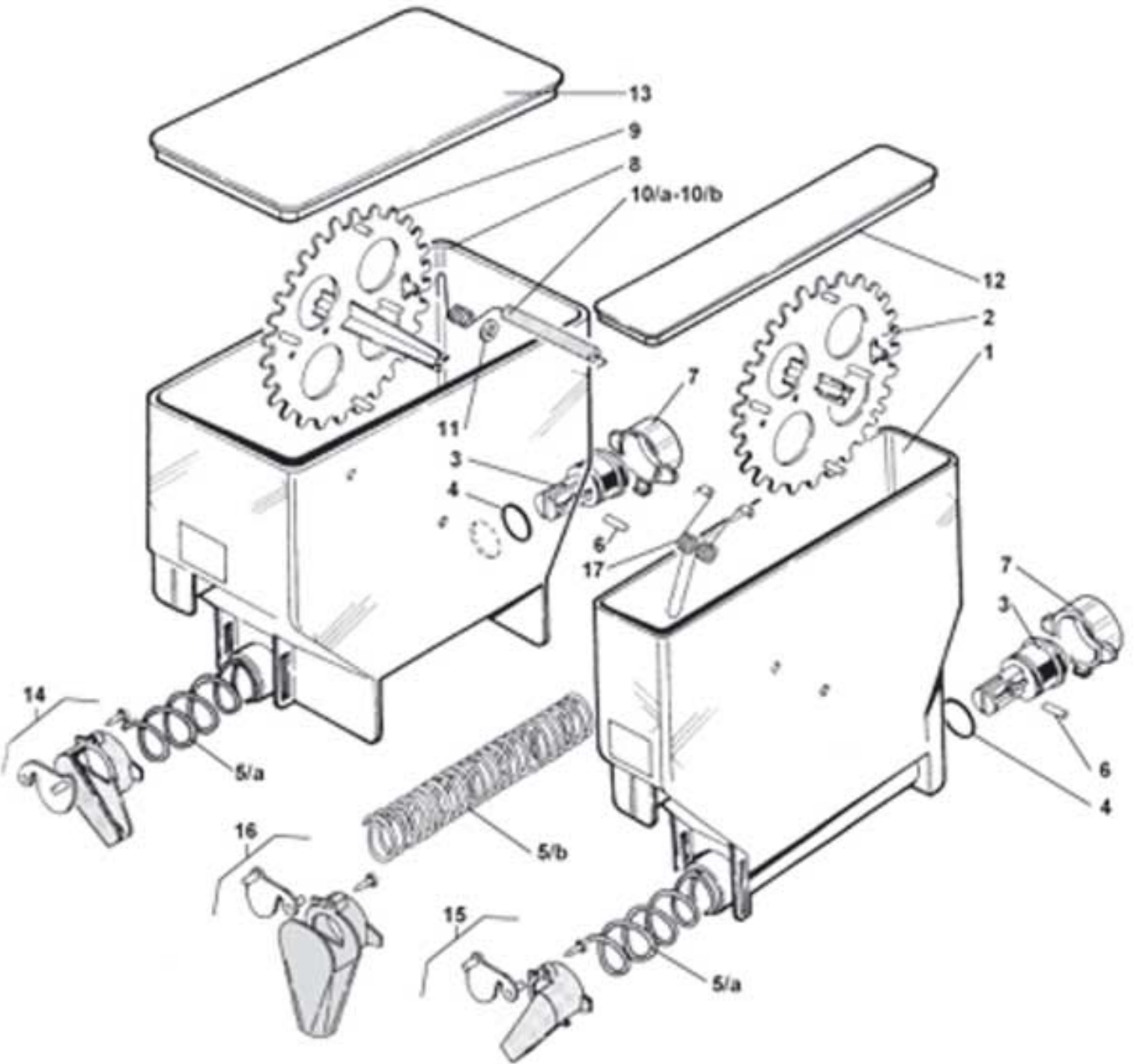
Pos.	Code	Description
1	0250008005	R.H. FRAME
2	0250008084	R.H. INFUSION CHAMBER CAM
3	0250008009	CONNECTING ROD
4	0250008028	PIN FOR CONNECTING ROD
5	0250008011	R.H. CRANK
6	0250008014	MOTOR CRANK PIN
7	0250008042	ANTIVIBRATION WASHER
8	VIT0006515	D.5 RADIAL STOP RING
9	0250008031	R.H. REAR GUIDE
10	VIT0002026	3.5x 6.5 STAINLESS STEEL TAPPING TCB SCREW
11	0250008033	FRONT GUIDE
12	0250008006	L.H. FRAME
13	0250008085	L.H. INFUSION CHAMBER CAM
14	0250008032	L.H. REAR GUIDE
15	0250008086	UPPER FILTER SUPPORT
16	0250008024	UPPER FILTER SPRING
17	0250008087	SPRING COVER PIPE
18/a	0250008026	D.36 UPPER FILTER FOR COFFEE BEANS GROUP D. 36
18/b	0250008208	D.40 UPPER FILTER FOR COFFEE BEANS GROUP D. 40
	0250008208IC	
19/a	0250008099	FILTER FOR COFFEE BEANS GROUP D. 36
19/b	0250008211	FILTER D.40 FOR COFFEE BEANS GROUP D. 40
20/a	VIT0001202	M 3x14 TSP SCREW FOR COFFEE BEANS GROUP D. 40
20/b	VIT0000121	M 3x8 TSP SCREW FOR COFFEE BEANS GROUP D. 40
21/a	GUA0000080	SILICONE 4112 OR FOR COFFEE BEANS GROUP D. 36
21/b	GUA0000097	SILICONE 4131 OR FOR COFFEE BEANS GROUP D. 40
22	VIT0006513	D.8 STAINLESS STEEL INSIDE SEEGER FOR COFFEE BEANS GROUP D. 40
23/a	0250008046R	INFUSION CHAMBER FOR COFFEE BEANS GROUP D. 36
23/b	0250008206R	INFUSION CHAMBER D.40 FOR COFFEE BEANS GROUP D. 40
	0250008206RIC	
24	GUA0000065	SILICONE OR 112 FOR COFFEE BEANS GROUP D. 40
25	0250008053	LOWER INLET CUP BUSH FOR COFFEE BEANS GROUP D. 40
26	0250008029	GLASS BUSH PIN FOR COFFEE BEANS GROUP D. 40
27/a	0250008108	FILTER SUPPORT SHFT FOR COFFEE BEANS GROUP D. 36
27/b	0250008122	LOWER FILTER FOR COFFEE BEANS GROUP D. 36
27/c	0250008209	LOWER FILTER D.40 FOR COFFEE BEANS GROUP D. 40
	0250008209IC	
	0250008209IC	
28	0250008106	LOWER FILTER ROLL SUPPORT FOR COFFEE BEANS GROUP D. 40
29	0250008021	ROLL SHAFT FOR COFFEE BEANS GROUP D. 40
30	0250008022	ROLL SHAFT FOR COFFEE BEANS GROUP D. 40
31	VIT0006516	D.3.2 RADIAL STOP RING FOR COFFEE BEANS GROUP D. 40
32	0250008027	LOWER FILTER PIN FOR COFFEE BEANS GROUP D. 40
33	0250008083	FILTER EJECTION CAM FOR COFFEE BEANS GROUP D. 40
34	0250008016	R.H. FILTER RECOVERY CAM FOR COFFEE BEANS GROUP D. 40
35	0250008017	L.H. FILTER RECOVERY CAM FOR COFFEE BEANS GROUP D. 40
36	0250008036	COFFEE CONE FOR COFFEE BEANS GROUP D. 40
37	VIT0004803	STAINLESS STEEL NUT M4 FOR COFFEE BEANS GROUP D. 40
38	0250008035	SETTING PLATE FOR COFFEE BEANS GROUP D. 40
39	VIT0000032	M 4x8 INOX TCB SCREW FOR COFFEE BEANS GROUP D. 40
40	VIT0003309	4.3x16x1.5 STAINLESS STEEL FLAT WASHER FOR COFFEE BEANS GROUP D. 40
41	VIT0005523	4x60 STAINLESS STEEL TCEI SCREW FOR COFFEE BEANS GROUP D. 40
42	VIT0004810	M 4 SELFLOCKING NUT FOR COFFEE BEANS GROUP D. 40
43	VIT0002461	SCREW TCCRT 4,2 x 26 FOR COFFEE BEANS GROUP D. 40
44	0250008039	L.H. FRAME COVER FOR COFFEE BEANS GROUP D. 40
	0250008039CM	
	0250008039IC	
45	0250008048	KEY FOR NUT FOR COFFEE BEANS GROUP D. 40
46	0250008110CL	WATER INLET PIPER ASSEMBLY FOR COFFEE BEANS GROUP D. 40
47	VIT0009203	M 3 CONNECTION FOR THERMOPLASTIC FOR COFFEE BEANS GROUP D. 40
48	VIT0003451	GROWER SPRING WASHER FOR COFFEE BEANS GROUP D. 40
50	0250008088	WASHER FOR CHAMBER CAM FOR COFFEE BEANS GROUP D. 40
51	0250008109R	D.36 LOWER FILTER+ROLL SUPPORT ASSEMBLY FOR COFFEE BEANS GROUP D. 40
52	GUA0000061	2010 VITON OR FOR COFFEE BEANS GROUP D. 40
53	0250008107R	LOWER FILTER ROLL SUPPORT FOR COFFEE BEANS GROUP D. 40
54	0250008076CL	COFFEE OUTLET PIPE ASSEMBLY FOR COFFEE BEANS GROUP D. 40
100	0250008001R	MICRO COFFEE GROUP FOR COFFEE BEANS GROUP D. 36
101	0250008201R	MICRO COFFEE GROUP D.40 FOR COFFEE BEANS GROUP D. 40
102	0250008026R	D.36 UPPER FILTER ASSEMBLY FOR COFFEE BEANS GROUP D. 36
103	0250008208R	D.40 UPPER FILTER ASSEMBLY FOR COFFEE BEANS GROUP D. 40
104	0250008108R	D.36 LOWER FILTER FOR COFFEE BEANS GROUP D. 40

assieme

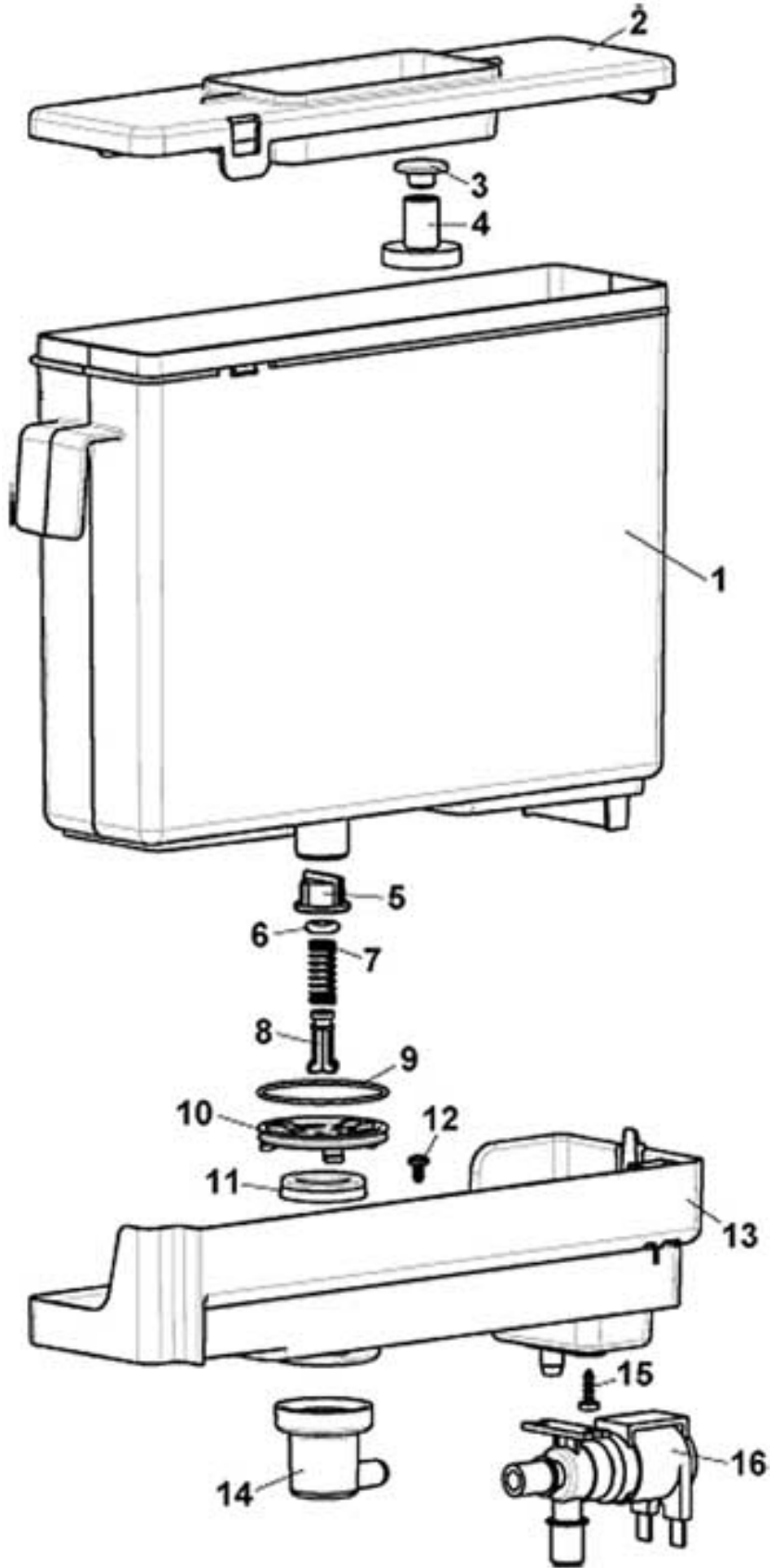


XX OC - COFFEE BEANS CONTAINER

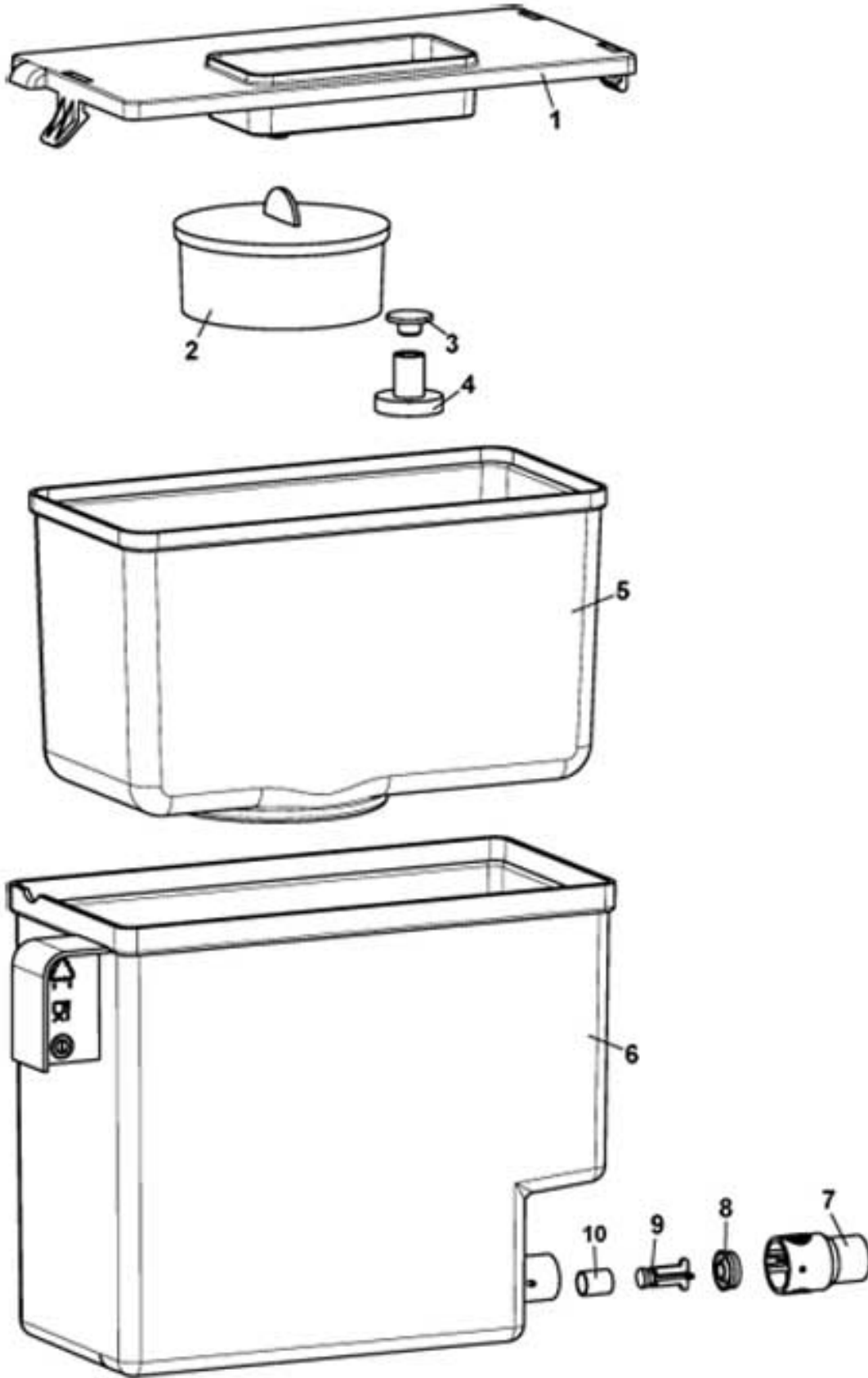
Pos.	Code	Description
1	0230015217	COFFEE CONTAINER COVER
2	0230015213	COFFEE CONTAINER
3	0230015212	COFFEE CONTAINER CONNECTION
4	VIT0002009	TAPPING SCREW T.C.B. 3,5 x 6,5
5	0230015218	SWICHT OF BEANS
6	0230015207	RED COFFEE CONTAINER BLADE
	0230015207IC	
7	0230015215	COFFEE CONTAINER BOTTOM
8	VIT0002101	3.9x 13 TAPPING TCB SCREW
100	0230015210CL	ASSEMBLED COFFEE CONTAINER



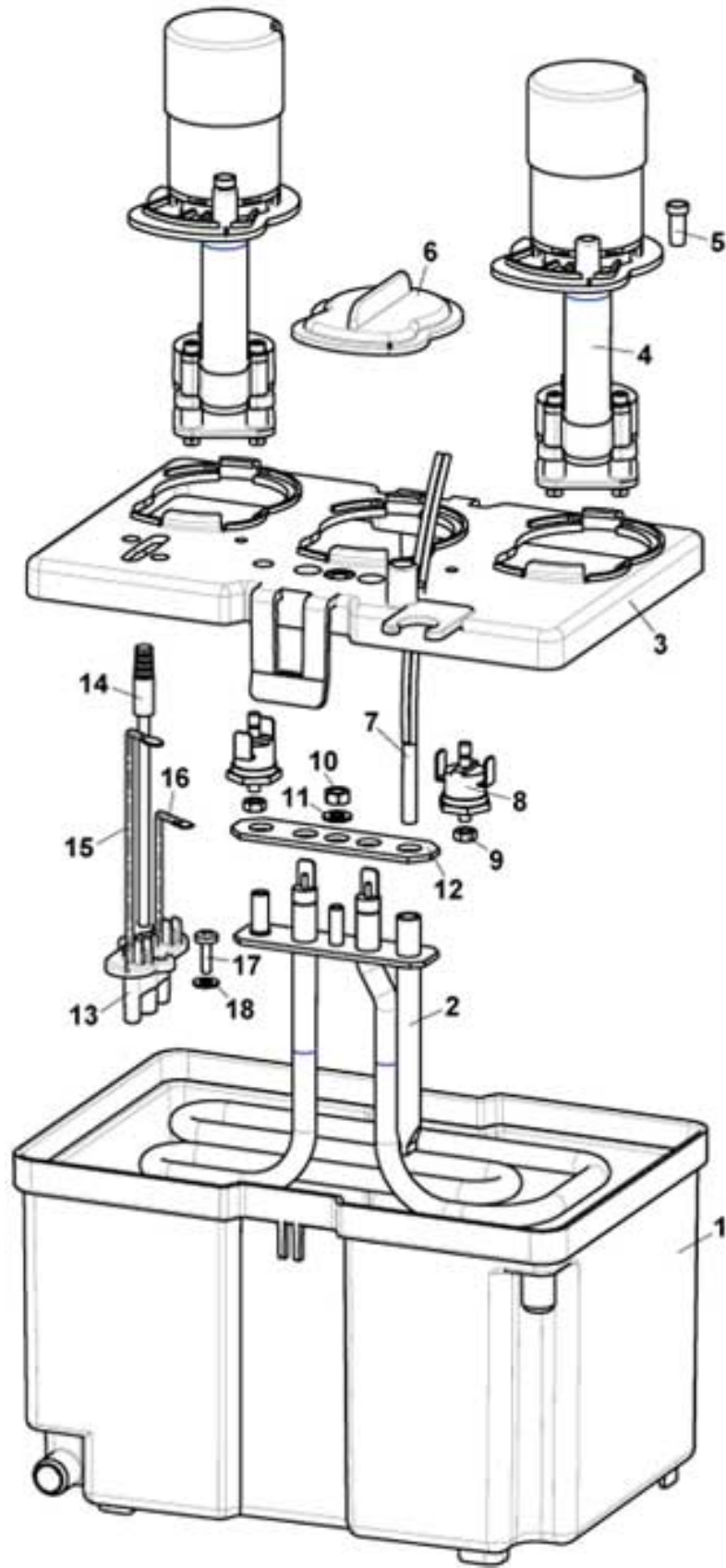
Pos.	Code	Description
1	0230030155	PLASTIC INGREDIENT CONTAINER 55 mm. PP
2	0230030159	MIXER GEAR
	0230030159IC	
3	0230030012	WORM SCREW PIN
4	GUA0000083	OR 123
5/a	0230030013	WORM SCREW P. 9
5/b	0230030014	WORM SCREW P.18
6	VIT0005301	ELASTIC PIN D.2 x 14
7	0230030011	REAR BUSH
8	0230030157	PLASTIC INGREDIENT CONTAINER 110 mm. PP
9	0230030161	MIXER GEAR mm.110
	0230030161IC	
10/a	0230030041	INGREDIENT MIXER 112 mm. R.H. OUTLET
10/b	0230030042	INGREDIENT MIXER 112 mm. L.H. OUTLET
11	VIT0003210	STAINLESS STEEL FLAT WASHER D. 8.4 x 14 x 1.6
12	0230030156	CONTAINER COVER 54 mm.
13	0230030158	CONTAINER COVER 110 mm.
14	0230030018R	RIGHT CONVEYOR INGREDIENT
14/a	0230030044R	RIGHT CONVEYOR INGREDIENT
15	0230030017R	LEFT CONVEYOR INGREDIENT
15/a	0230030043R	LEFT CONVEYOR INGREDIENT
16	0230030019R	CONVEYOR INGREDIENT
16/a	0230030055R	CONVEYOR INGREDIENT
17	0230030052	ANTIBRIDGING
100	0230030164R	CONT. PROD. PICCOLO 54 mm VSF18 C/COPERCHIO - AGITATORE.UL
101	0230030155R	INGREDIENT CONTAINER 54 mm WORM SCREW 18 WITHOUT FEEDER
102	0230030156R	PRODUCT CONTAINER 54 mm WORM SCREW 9 WO/FEEDER
103	0230030157R	PROD. CONT. 110 mm WORM SCREW 112 mm WORM SCREW WO/FEEDER R.H. OUTLET
104	0230030159R	PROD. CONT. 110 mm WORM SCREW 112 mm WORM SCREW WO/FEEDER L.H. OUTLET
105	0230030013CL	PIN WORM SCREW P. 9 ASSEMBLED
106	0230030014CL	PIN WORM SCREW P. 18 ASSEMBLED



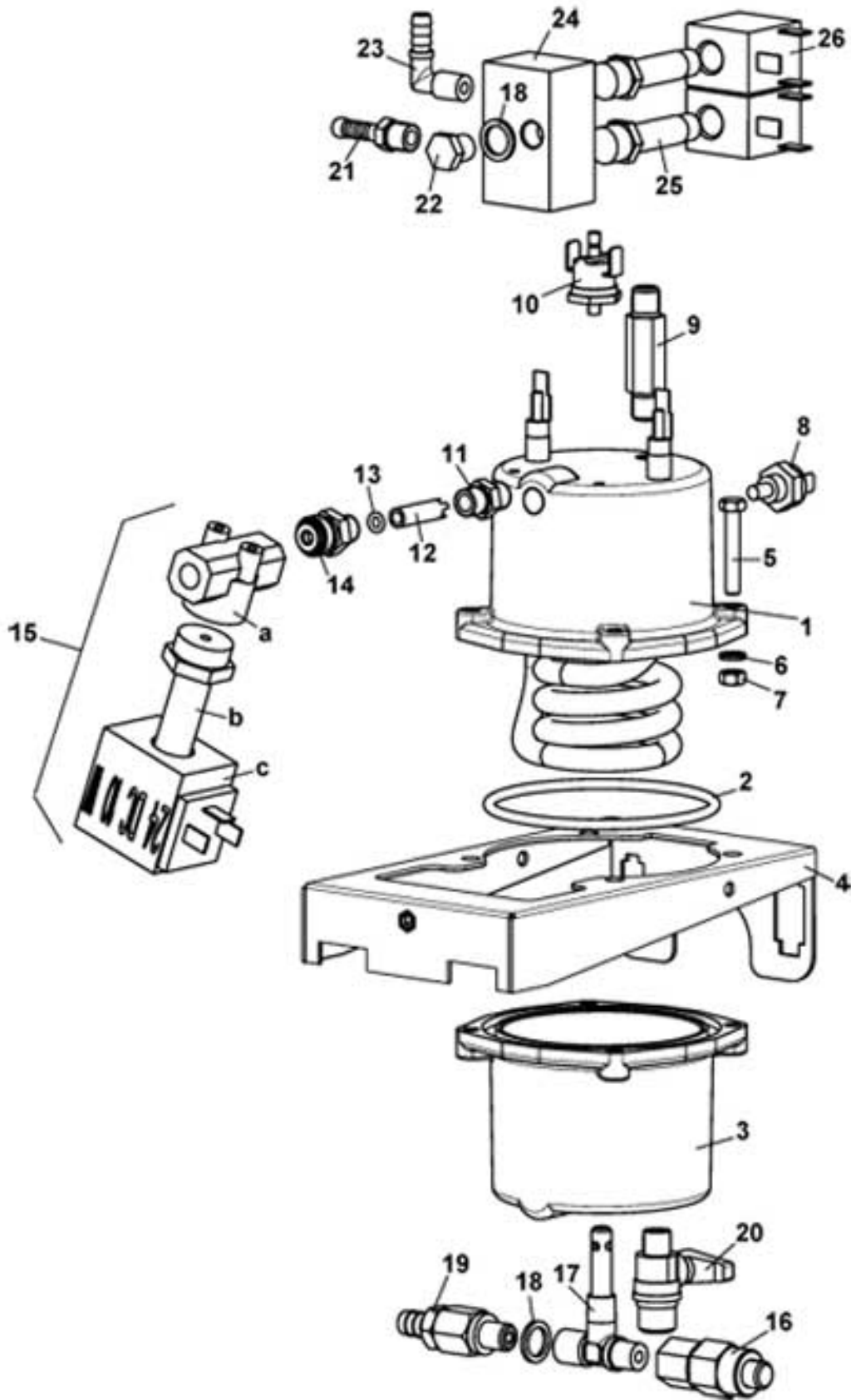
Pos.	Code	Description
1	0800012506	WATER TANK
2	0800012507	COVER WATER TANK
3	0020037045	FLOATER "T"RAL3020 XX
4	0020037046	FLOATER "T"RAL3020 XX
5	0110020011	FILTER
6	GUA0000082	SILICONE GASKET D.6 CORD 3
7	0800012012	CLOSING PIN SPRING
8	0800012009	WATER TANK CLOSING PIN
9	GUA0000046	2137 OR
10	0800012515	STO GASKET RING
	0800012515NA	
11	GUA0002100	GASKET GU84-118075 SILIC.
12	VIT0002015	STAINLESS STEEL SCREW TBC 3.5 x 9.5 INOX
13	0800012511	SUPPORT WATER TANK
14	0800012512	WATER TANK ELBOW
15	VIT0002469	SCREW TC 3.5 x 10 FOR PLASTIC
16	0110001103	EV NC.2VIE S/R 24DC D.7
100	0800012500CL	WATER TANK ASSEMBLED POS.1+2 FROM POS.4 TO POS. 8
101	0800012511CL	WATER TANK ASSEMBLED SUPPORT POS.9+11 FROM POS.13 TO POS. 16



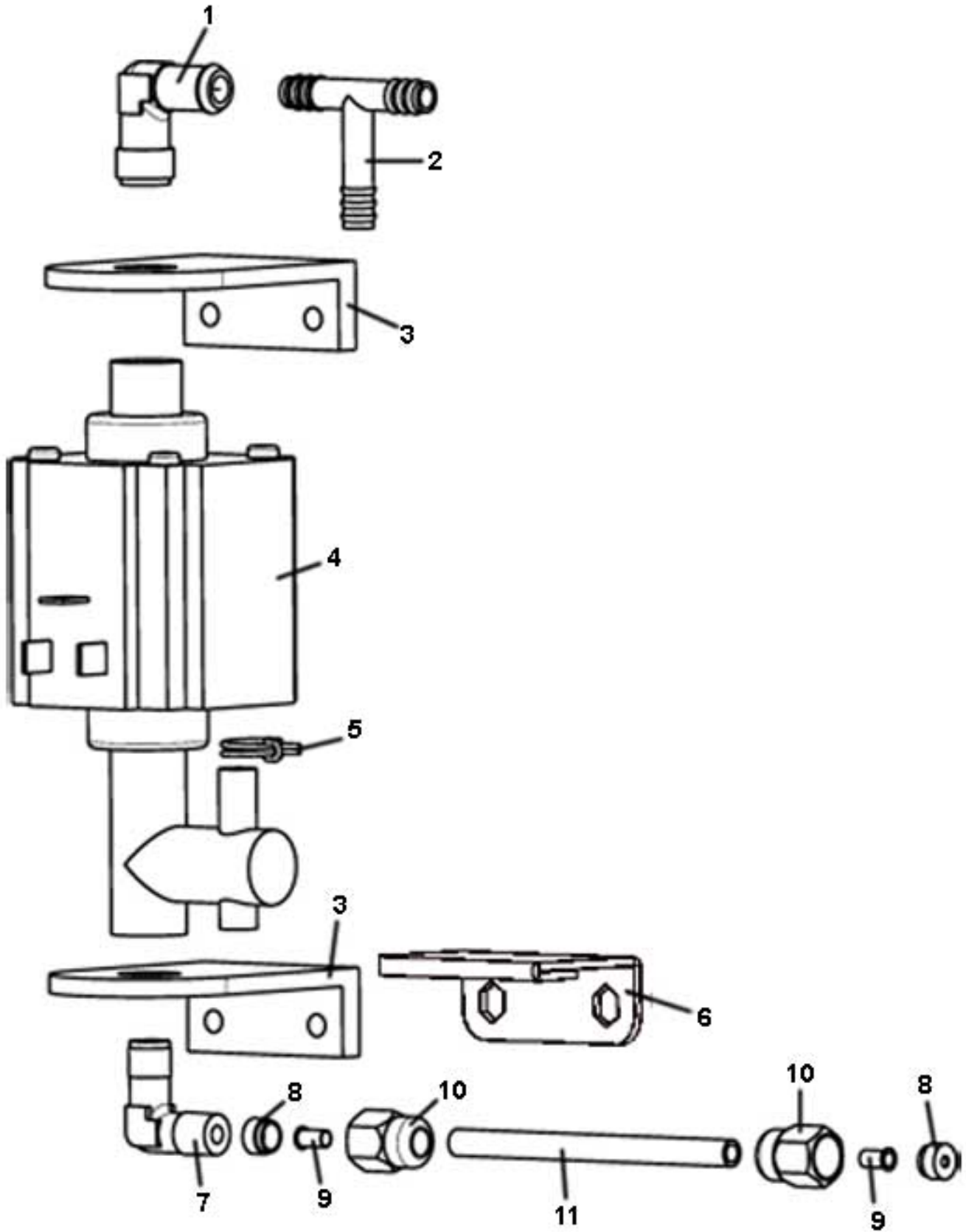
Pos.	Code	Description
1	0800012025	COVER WATER TANK
	0800012025CK	
2	0060001010	BRITA FILTER 180/200
3	0020037045	FLOATER "T"RAL3020 XX
4	0020037046	FLOATER "T"RAL3020 XX
5	0800012018	BRITA FILTER SUPPORT
6	0800012005	WATER TANK
	0800012005PF	
7	0800012008	TANK CLOSING GASKET SUPPORT
8	GUA0002008	SILICONE GASKET DE 062
9	0800012009	WATER TANK CLOSING PIN
10	0800012012	CLOSING PIN SPRING
100	0800012020R	COMPLETE KIT BRITA FILTER POS.2+5
101	0800012026R	WATER TANK ASSEMBLED + COVER POS.2+5



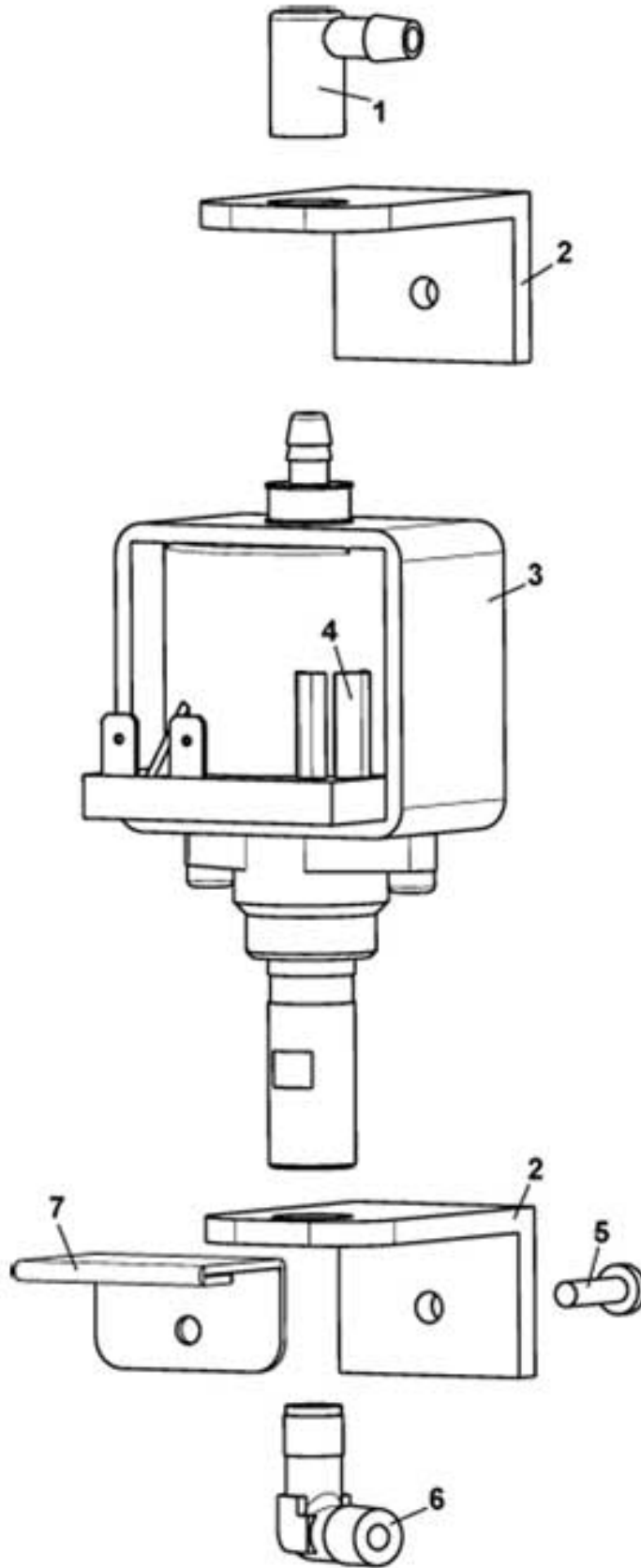
Pos.	Code	Description
1	0600016401	BOILER TANK
2	0600016415	1300W 230V HEATING ELEMENT
3	0600016402	BOILER COVER
4	0600016405R	BOILER PUMP
5	0600016425	REDUCTION
6	0600016422	PUMP COVER
7	ELE0003026CL	121° FUSE ASSEMBLED
8	ELE0000965	MANUAL RESET THERMOSTAT 88°C
9	VIT0004816	STAINLESS STEEL NUT M4
10	VIT0004804	STAINLESS STEEL NUT M5
11	VIT0003203	STAINLESS STEEL FLAT WASHER D.5.3 x 10 x 1
12	0600016038	HEATING ELEMENT GASKET
13	0600016059	PROBE SUPPORT
14	ELE0000963R	PRIMA SOLUBLE PROBE
15	0600016053	MIN. WATER LEVEL PROBE
16	0600016054	MAX WATER LEVEL PROBE
17	VIT0001005	SCREW T.C.B. M 4 x 12
18	VIT0003211	STAINLESS STEEL FLAT WASHER D.4,3 x 9 x 0,8
100	0600016400CL	BOILER ASSEMBLY 230V XX



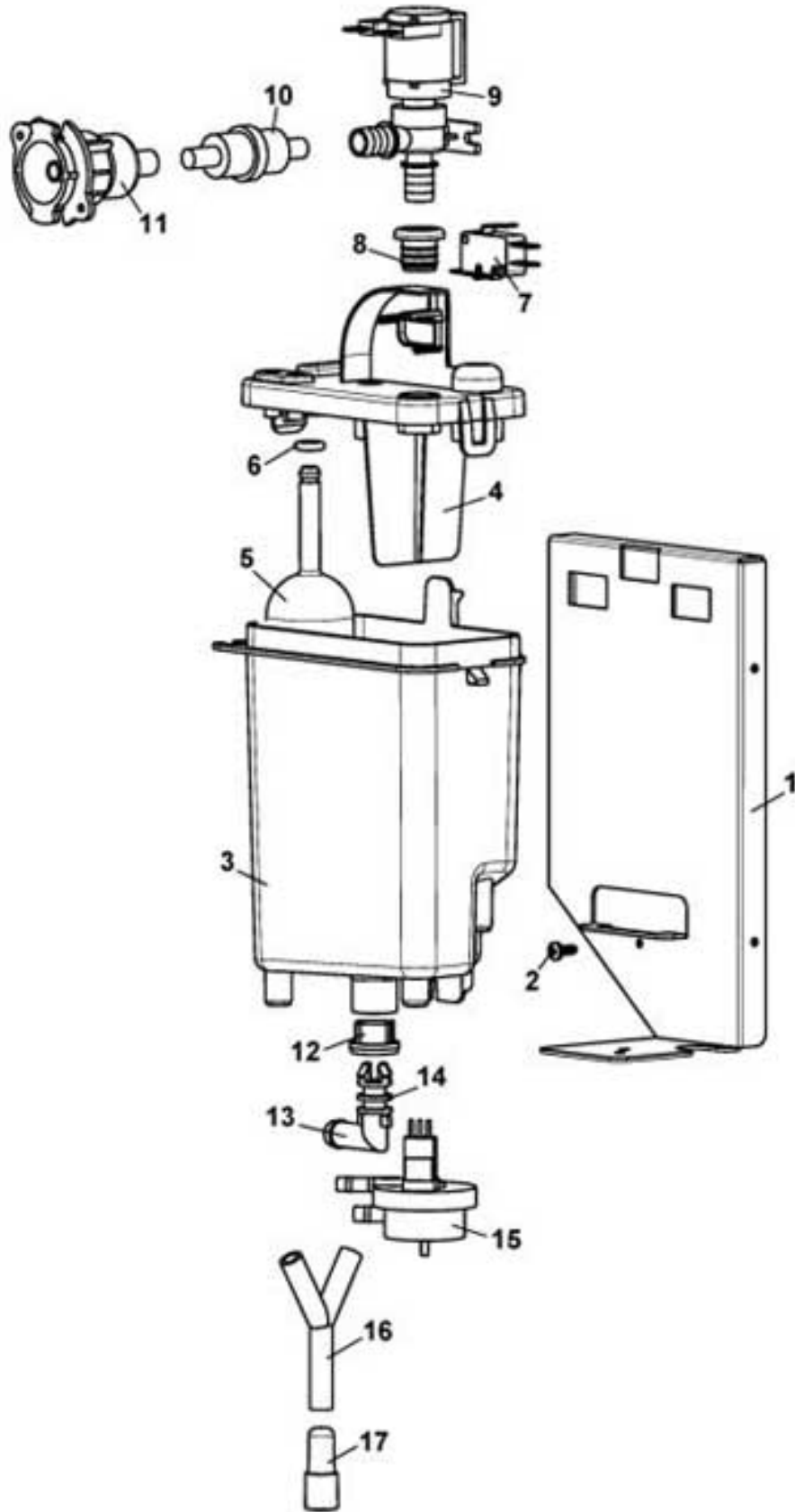
Pos.	Code	Description
1	0600019102	UPPER BOILER CASING
2	GUA0000095	OR 4300 SILICONE
3	0600019103	LOWER BOILER CASING
4	0010027221	BOILER SUPPORT
5	VIT0000242	M 5x30 H.H. SCREW
6	VIT0003104	WASHER tab D. 5.1
7	VIT0004504	M 4 NUT
8	ELE0000975	ESPRESSO PROBE
9	0600012658	VALVE BOILER CONNECTION
10	ELE0000976	MANUAL RESET THERMOSTAT 120°C
11	0100001084	NIPPLO GC 1/8
12	0110003122	OR SPACER
13	GUA0000069	2015 OR
14	0110003121	WATER OUTLET UNION
15	0110001112	EV TYPE 8000 24V DC
15/a	0110010143	BODY FOR EV 0110001112
15/b	0110010142	0110001112 VALVE SLEEVE
15/c	0110010141	COIL FOR EV 0110001112
16	0110002012	1/8M INLET - 1/8F OUTLET NON-RETURN VALVE
17	0600019112	TEE UNION WITH INOX TUBE
18	0100003016	COPPER GASKET D. 14,5 x 10,5 x 1,5
19	0110002013	SAFETY VALVE
20	0600019017	COCK M/F 1/8
21	0100001082	RUBBER HOLDER DIR. D.7 1/8
22	0100001080	MAN CAP 1/8 GAS
23	0100001083	D.7 1/8 RUBBER HOLDE
24	0110001111	24V DC 7W 2-WAY VALVE
25	0110010138	0110001111 VALVE SLEEVE
26	0110010135	COIL FOR EV 0110001111
100	0010027216CL	COMPLETE BOILER



Pos.	Code	Description
1	820001039	ELBOW TO RUBBERHOLDER CONNECTION
2	0100003015	TEE UNION
3	0220001002	PUMP SUPPORT
4	0110004002	'AP' PUMP
5	FASC000110	PIPES CLIP
6	0010027224	PUMP SUPPORT CAM
7	0100001019	L FITTING D.6-1/8M CON.
8	0100002002	LOCKING RING D.6
9	0100002005	STRENGTHENING BUSH D.4
10	0100001002	NUT FOR PIPE FITTING D.6
11	TNAY000001	D.6*4 POLYAMIDE PIPE

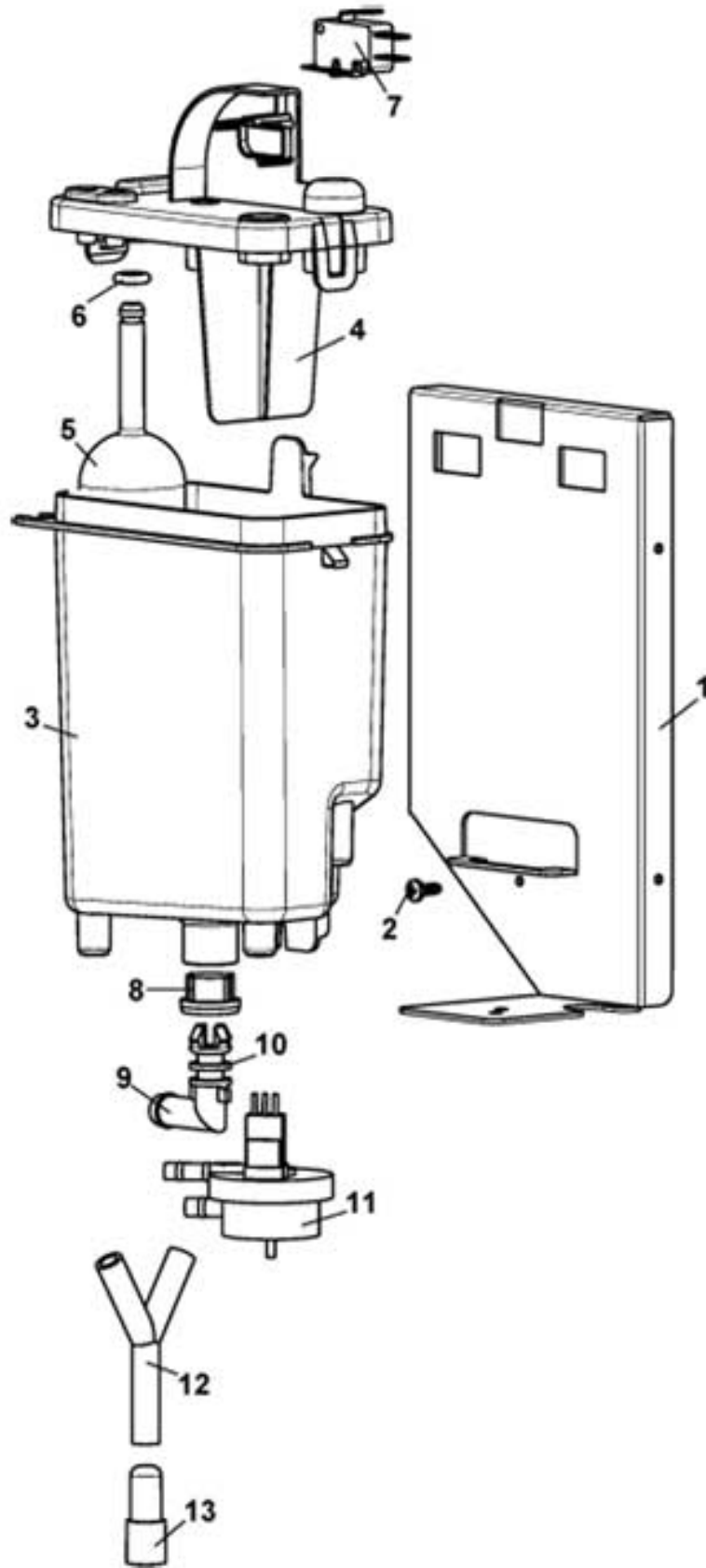


Pos.	Code	Description
1	0110004023	PIPETTE
2	0110004022	BRACKET SUPPORT
3	0110004021	230V 50 HZ PUMP FOR XS CABINET
4	ELE0000915	THERMIC PROTECTION
5	VIT0000014	M 4x16 TCB SCREW
6	0100001019	L FITTING D.6-1/8M CON.
7	0010027223	PUMP SUPPORT CAM



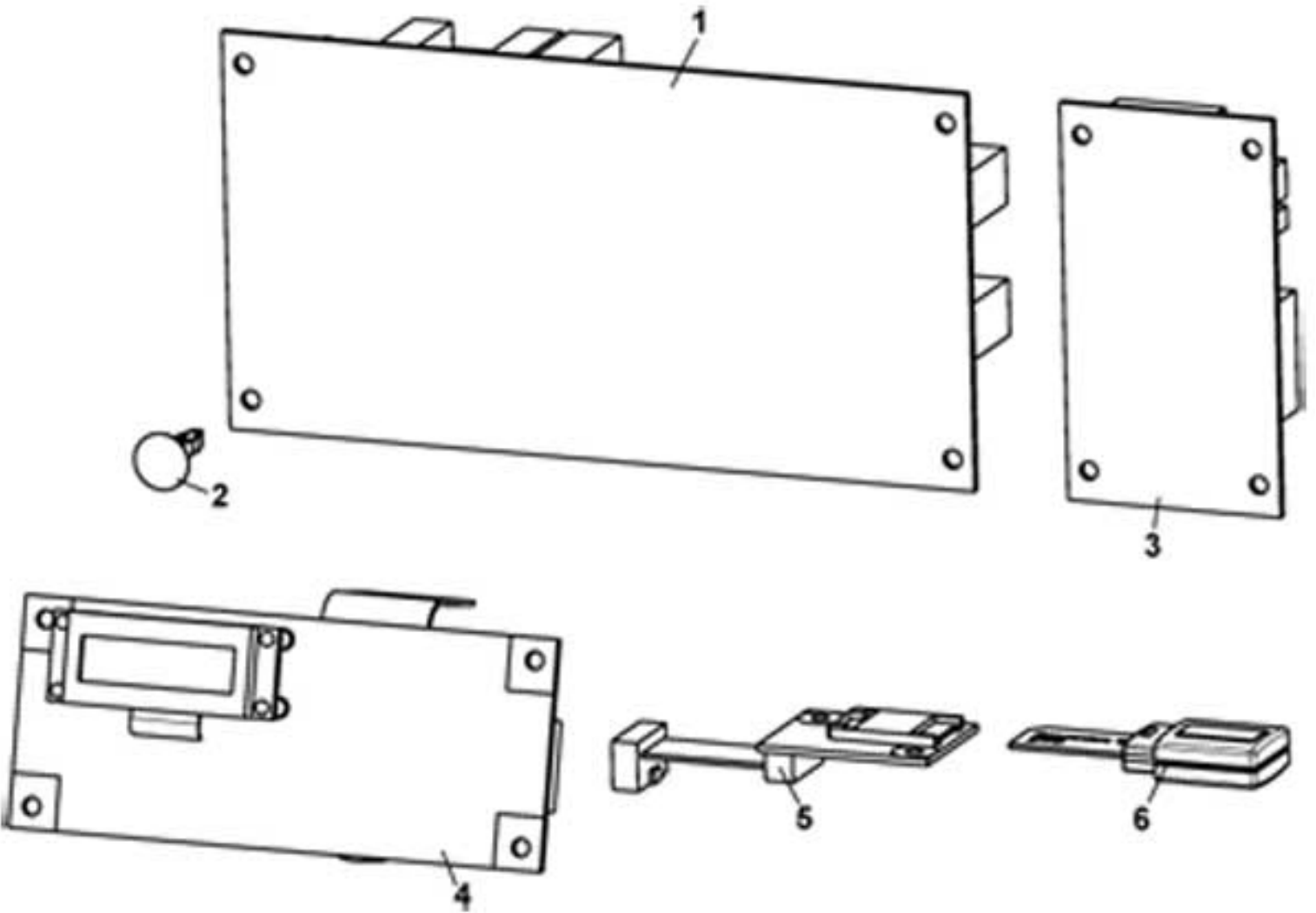
XX OC - WATER INLET PANEL A.A. SUPPORT

Pos.	Code	Description
1	0010027244	TANK SUPPORT CAM
2	VIT0002010	3,5x9,5 TAPPING SCREW WITHOUT POINT
3	0800013041	TANK
4	0800013043	TANK COVER
5	0800013046	FLOATER TANK
6	GUA0000082	SILICONE GASKET D.6 CORD 3
7	ELE0001514	3 A 250 V MICROSWITCH
8	0800013051	VALVE GASKET
9	0110001103	EV NC.2VIE S/R 24DC D.7
10	0109002002	WATER FILTER
11	0800012015	FIXED TANK CONNECTION
12	0110020007	D.20 PLASTIC FILTER
13	0800009211	ELBOW WITH RAPID CONNECTION
14	GUA0000043	OR 109
15	0110007003	VOLUME COUNTER W/RUBBERHOLDER
16	0100001065	'Y' FITTING
17	650001057	BOILER DISCHARGE PLUG
100	0010027243CL	TANK A.A.



XX OC - WATER INLET PANEL A.R. SUPPORT

Pos.	Code	Description
1	0010027244	TANK SUPPORT CAM
2	VIT0002010	3,5x9,5 TAPPING SCREW WITHOUT POINT
3	0800013041	TANK
4	0800013043	TANK COVER
5	0800013046	FLOATER TANK
6	GUA0000082	SILICONE GASKET D.6 CORD 3
7	ELE0001514	3 A 250 V MICROSWITCH
8	0110020007	D.20 PLASTIC FILTER
9	0800009211	ELBOW WITH RAPID CONNECTION
10	GUA0000043	OR 109
11	0110007003	VOLUME COUNTER W/RUBBERHOLDER
12	0100001065	'Y' FITTING
13	650001057	BOILER DISCHARGE PLUG
100	0010027243CL1	TANK A.R.



Pos.	Code	Description
1	SCH0006600	CPU POWER
2	ELE0062013	BOARD SUPPORT
3	SCH0006620	CPU EXPANSION
4	SCH0005840	DISPLAY BOARD
5	SCH0005860	FLASH BOARD
6	0020040310CL	RHEA FLASH MEMORY