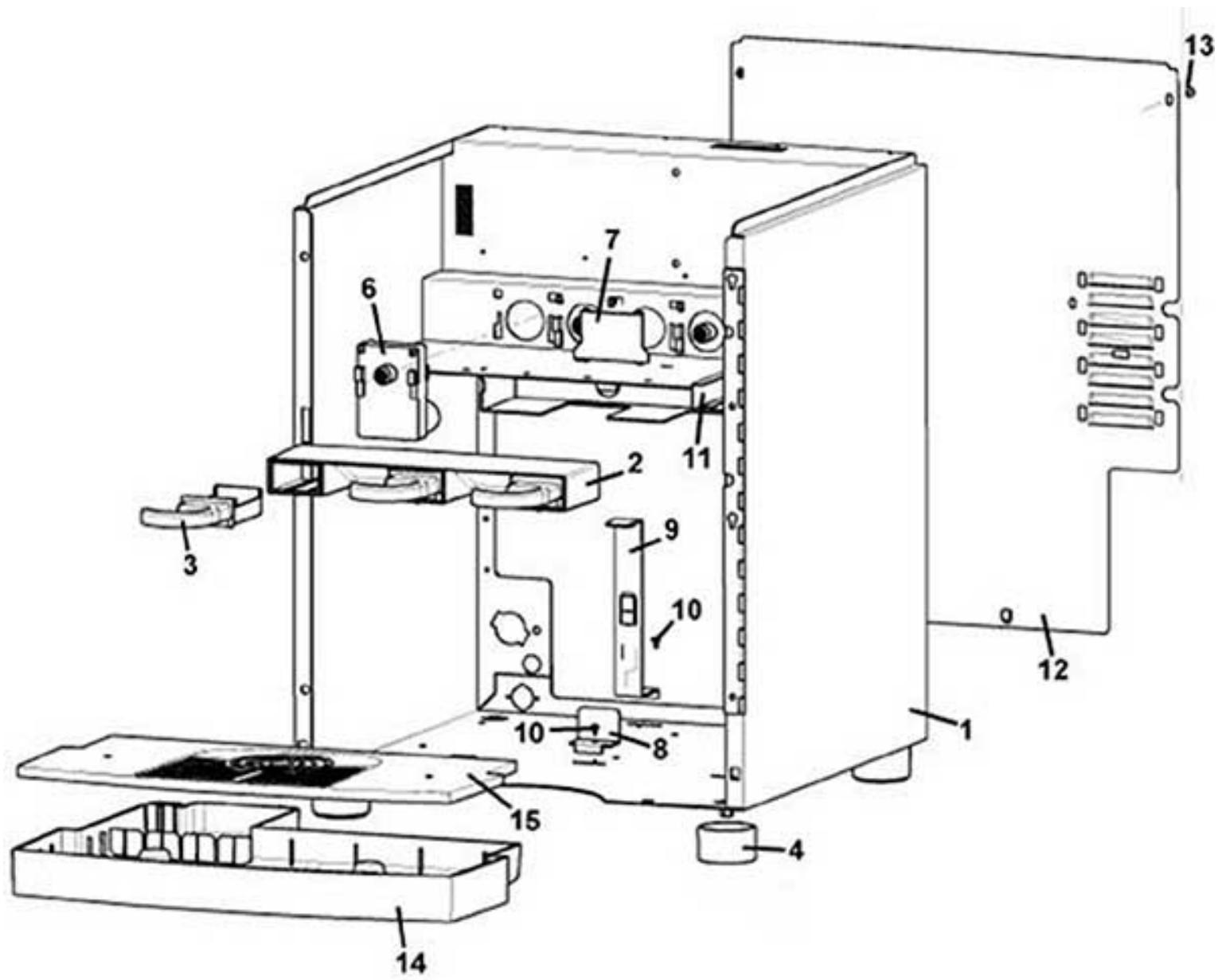


[XS GRANDE]



spare parts manual

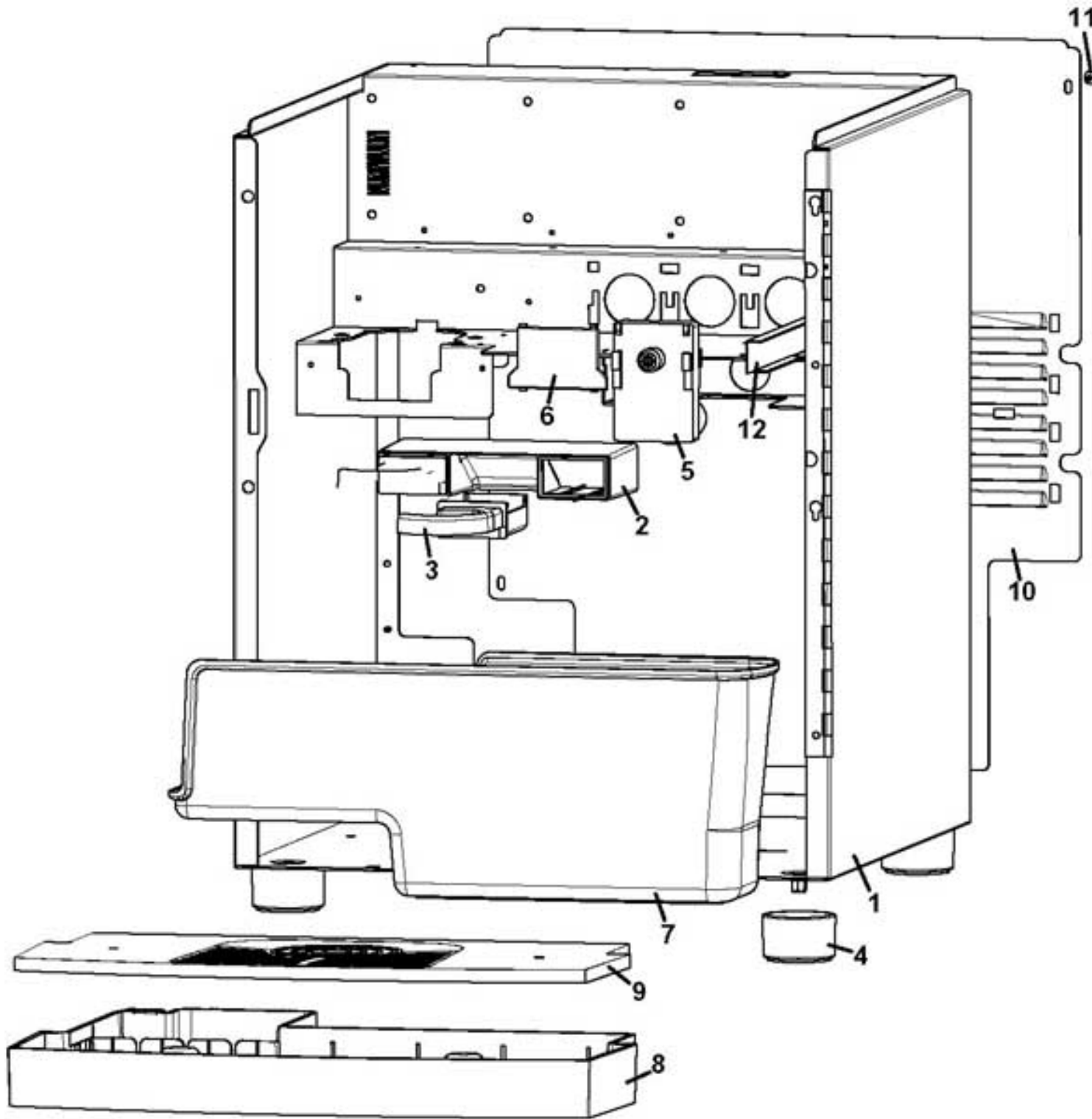


XS GRANDE

XS GRANDE - cabinet

Pos. Code	Description
1 0010024105NA-05	CABINET (BLACK)
2 0010027036	TRAP DRAWER
3 0010027022	TRAP DRAWER REMOVABLE
4 0010024111CL1	Â§ MACHINE FOOT D.50X29 RAL9005
6 0090002113	MOTOR 24 DC 97 RPM
7 0010020029NA	GEARBOX MOTOR PLUG BLACK
8 0010020719	BOILER PLATE
9 0600014117	BOILER BRACKET
10 VIT0002009	SCREW ST HEAD CAP M3.5X6.5
11 0010027217	WIRING SUPPORT (BLACK)
12 0010024028NA	REAR PANEL RAL 9005
13 VIT0002401	SCREW ST HEAD CAP M3.5X9.5
14 0020039036CL	Â§ DRIP TRAY+SPRING BLACK
15 0020039035NA	DRIP TRAY GRID BLACK

XS GRANDE - cabinet (espresso version)

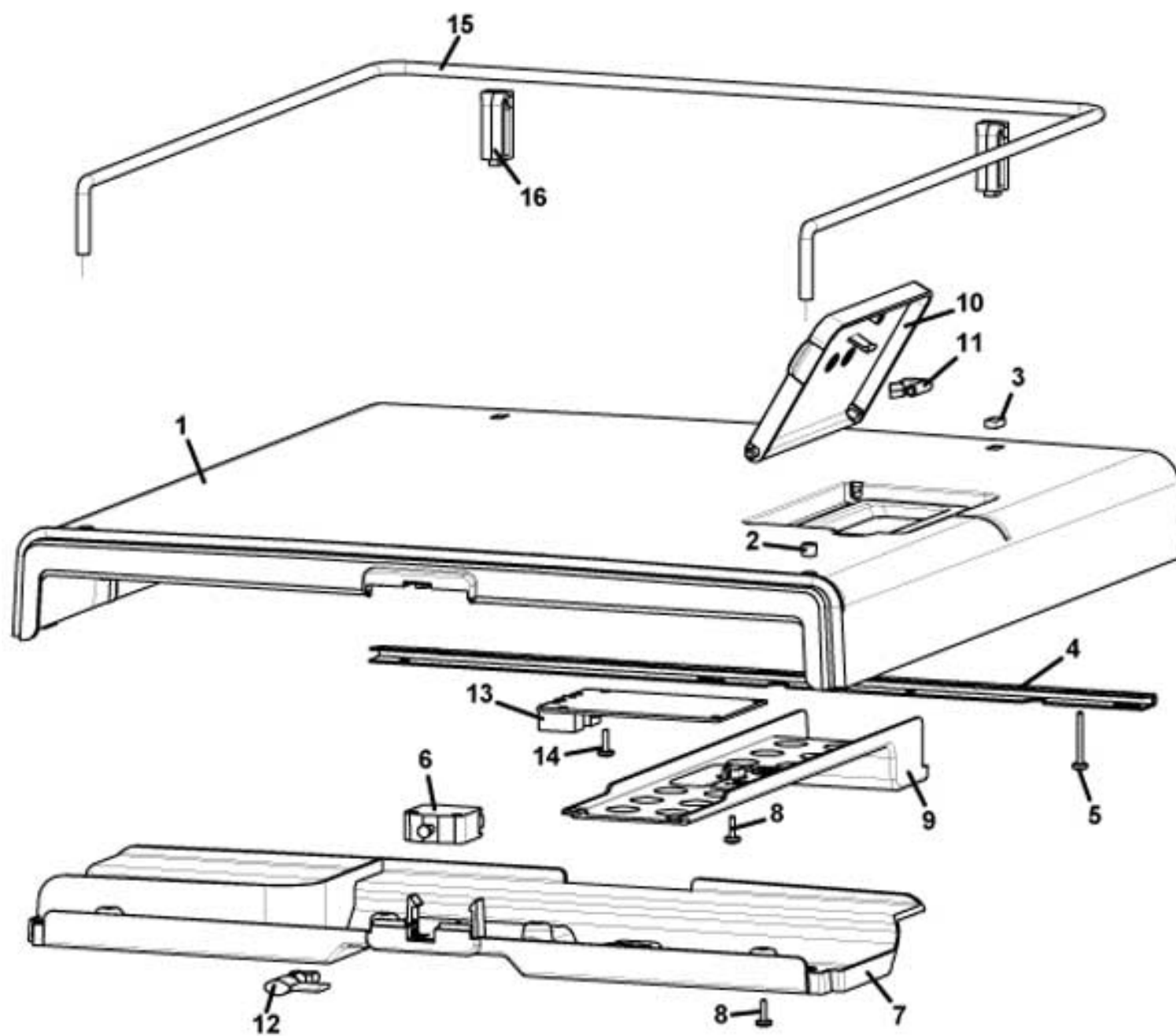


XS GRANDE

XS GRANDE - cabinet (espresso version)

Pos. Code	Description
1/a 0010024135-05NA	CABINET W/EMBOSSSED RAL 9005
1/b 0010024055NA	CABINET (BLACK) For 120V version
2 0010027037	TRAP DRAWER
3 0010027022	TRAP DRAWER REMOVABLE
4 0010024111CL1	Å§ MACHINE FOOT D.50X29 RAL9005
5 0090002113	MOTOR 24 DC 97 RPM
6 0010020029NA	GEARBOX MOTOR PLUG BLACK
7 0010024027	GROUNDS CONTAINER
8 0020039036CL	Å§ DRIP TRAY+SPRING BLACK
9 0020039035CM	DRIP TRAY GRID RAL9006
10 0010024028NA	REAR PANEL RAL 9005
11 VIT0002401	SCREW ST HEAD CAP M3.5X9.5
12 0010027217	WIRING SUPPORT (BLACK)

XS GRANDE - UPPER COVER

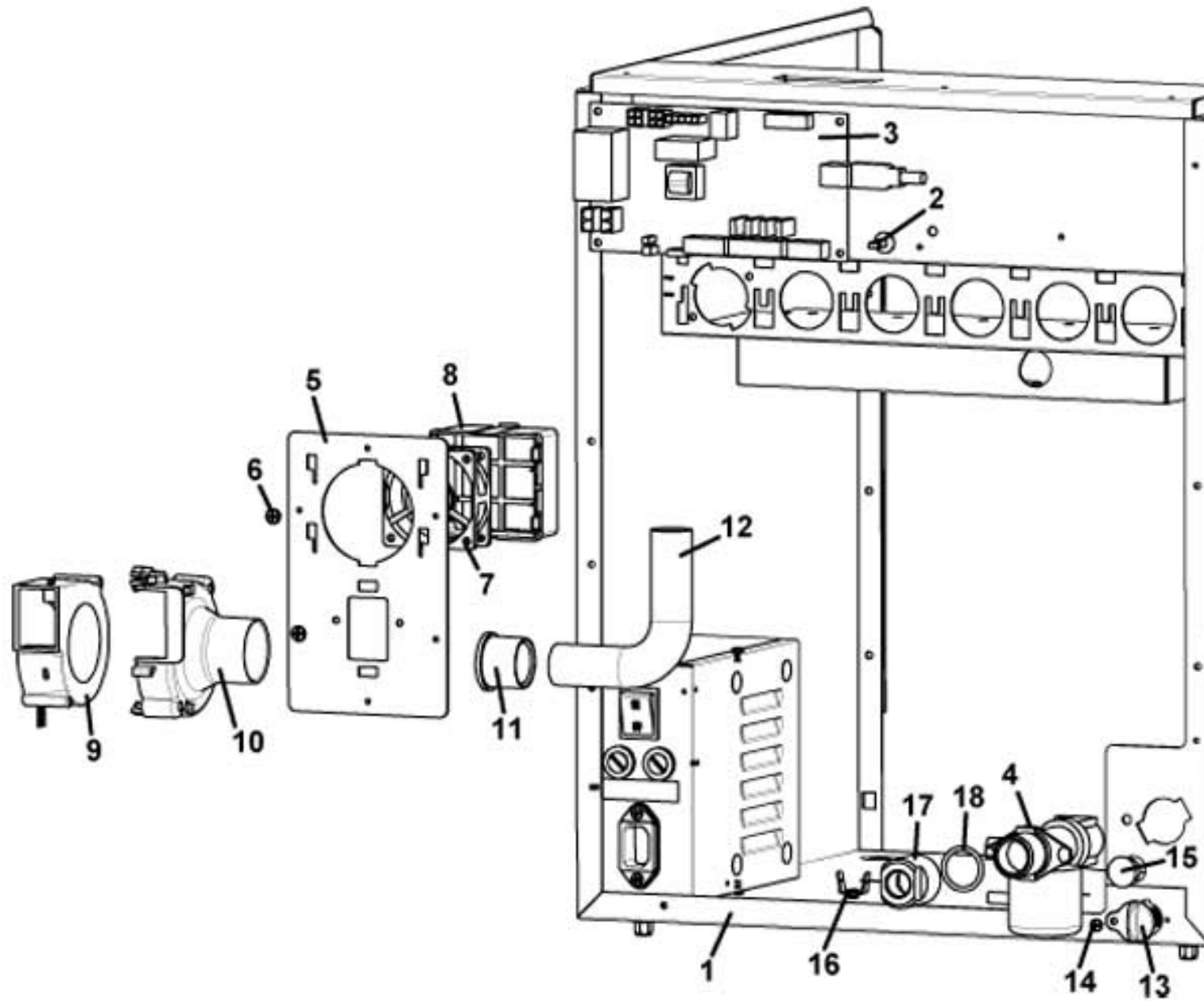


XS GRANDE

XS GRANDE - UPPER COVER

Pos. Code	Description
1 0010024116-03NA	UPPER COVER XS-08 RAL 9005
2 0010027344	RING PLUG
3 0010027343	PLUG SUPPORT COVER
4 0010024012	HINGE
5 VIT0002456	SCREW HEAD TAP M3.5X25
6 ELE0002019	SWITCH 16A 250V
7/a 0010024117NA	UPPER COVER CLOSING (BLACK) Only for version "H"
7/b 0010024114NA	UPPER COVER CLOSING BLACK Only for version "E"
8 VIT0002469	SCREW HEAD TAP M3.5X10
9 0010024119NA	CABLE COVER (RAL9005)
10 0010024118NA	INLET WATER LID RAL 9005
11 0020037124NA	PIN
12 0270011109IC	SERVICE KEY RAL2011
13 SCH0006260	RFID CARD READER
14 VIT0002452	SCREW HEAD TAP M3.5X12
15 0010024124	GUARD RAIL 1 THREAD
16 0010027272AG	RING SUPPORT TRASPARENT

XS GRANDE - rear view cabinet (instant version)

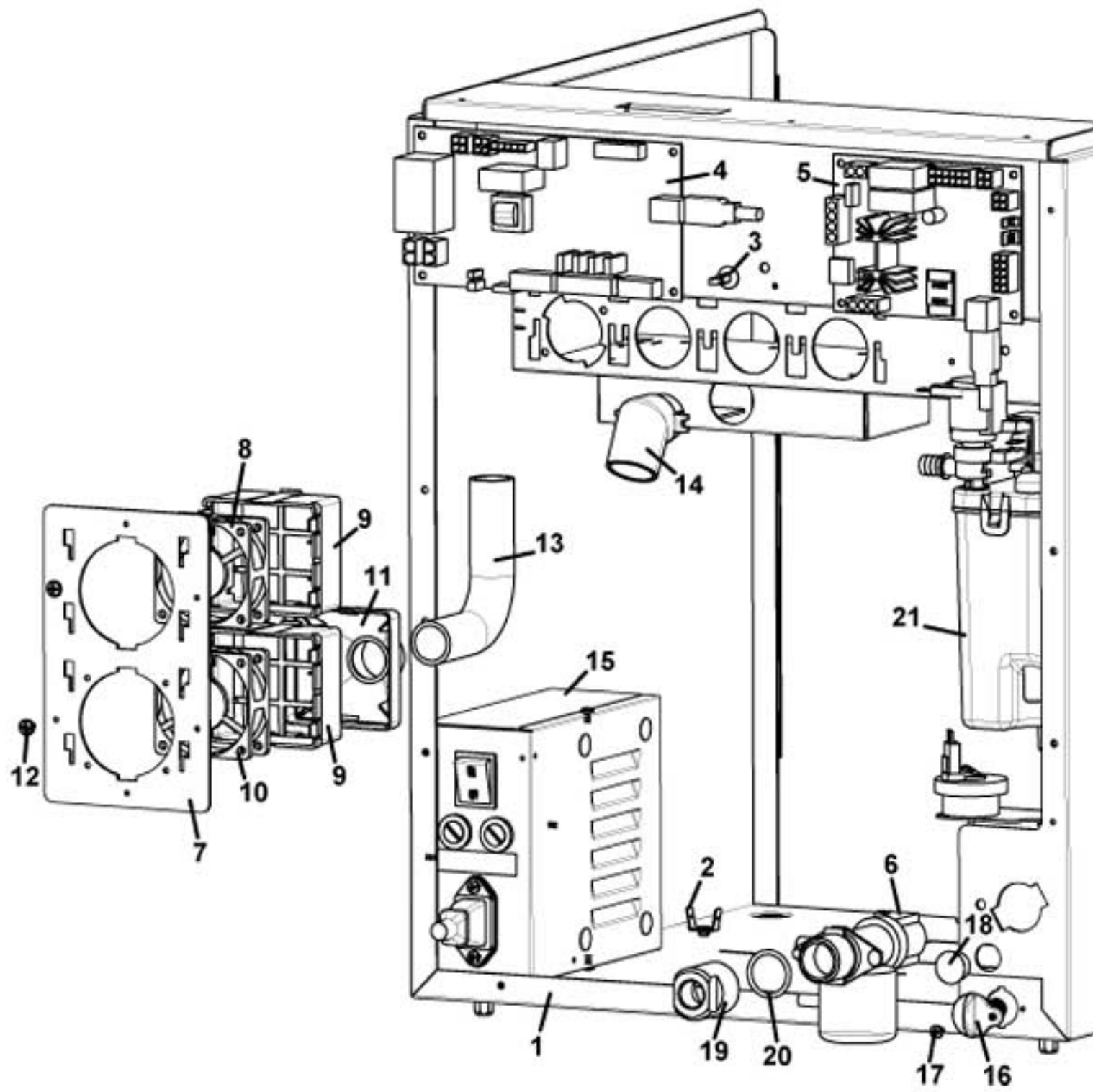


XS GRANDE

XS GRANDE - rear view cabinet (instant version)

Pos. Code	Description
1 0010024105NA-05	CABINET (BLACK)
2 ELE0062020	BOARD SUPPORT
3 SCH0007961	CPU/POWER BOARD
4 0110001058	WATER INLET VALVE 24V DC
5 0130013018NA	FAN SUPPORT BLACK
6 VIT0002401	SCREW ST HEAD CAP M3.5X9.5
7 ELE0000462	FAN 24V DC-LOW SPEED
8 0010027064	FAN SUPPORT
9 ELE0000465R	Å§ TRAP 24V DC
10 0010024129NA	TRAP SUPPORT
11 0070020073NA	EXTRACTOR REDUCTION BLACK
12 TEOL000001CL2	EXTRACTOR TUBE D.20 300MM
13 0600016455	H2O OUTLET PLUG
14 VIT0002009	SCREW ST HEAD CAP M3.5X6.5
15 GUA0011010	PLUG
16 ELE0060520	GROUND PIN
17 0810010558	WATER INLET VALVE CONNECTOR
18 GUA0000021	OR 130

XS GRANDE - rear view cabinet (espresso version)

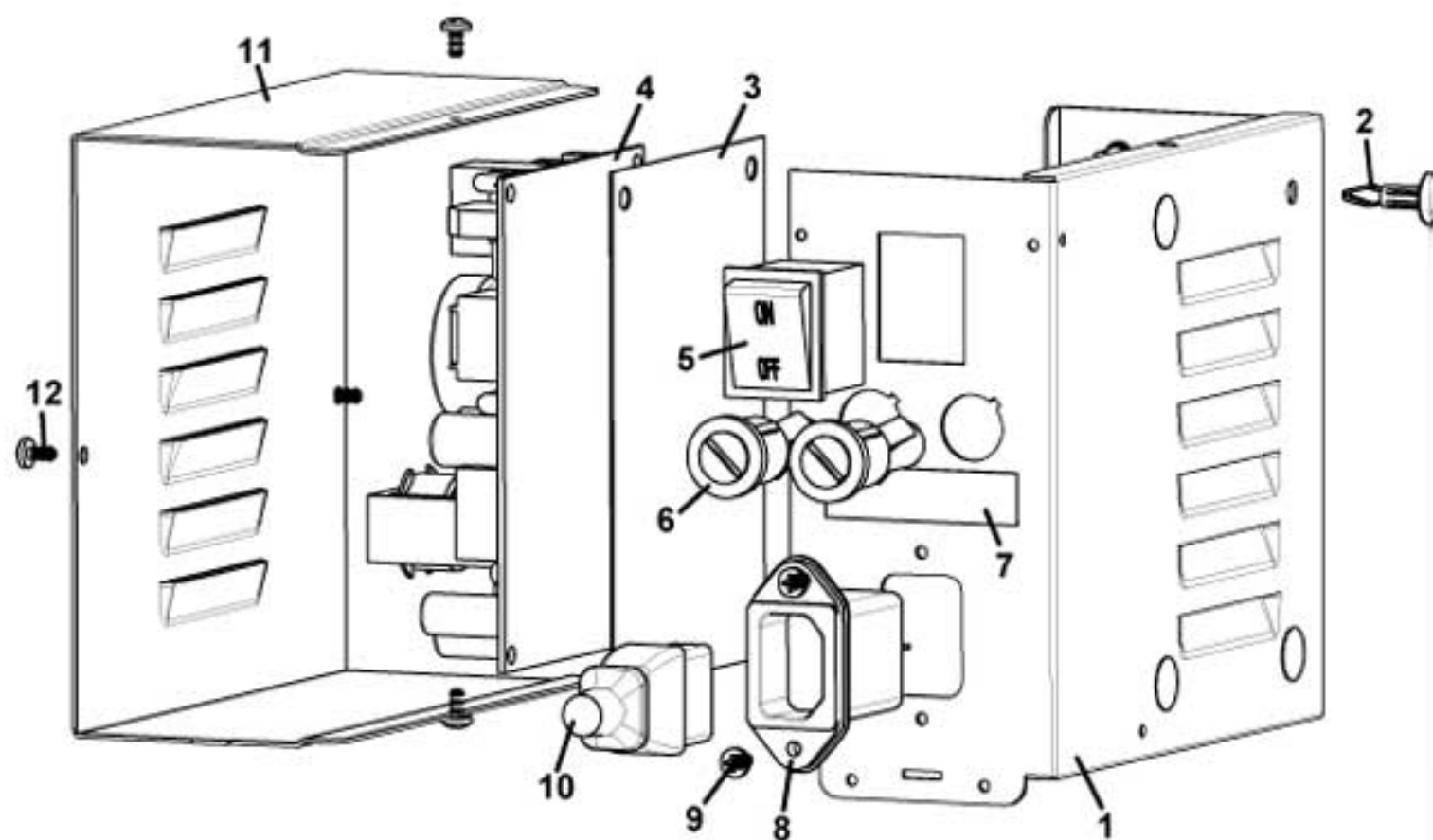


XS GRANDE

XS GRANDE - rear view cabinet (espresso version)

Pos. Code	Description
1/a	0010024135-05NA CABINET W/EMBOSSSED RAL 9005
1/b	0010024055NA CABINET (BLACK) For 120V version
2	ELE0060520 GROUND PIN
3	ELE0062020 BOARD SUPPORT
4	SCH0007961 CPU/POWER BOARD
5	SCH0007602 MICRO BREWER BOARD
6	0110001058 WATER INLET VALVE 24V DC
7	0130013016NA FAN SUPPORT BLACK
8	ELE0000462 FAN 24V DC-LOW SPEED
9	0010027064 FAN SUPPORT
10	ELE0000461 FAN 24V DC-HIGH SPEED
11	0010027065 FAN CONNECTOR
12	VIT0002401 SCREW ST HEAD CAP M3.5X9.5
13	TEOL000001CL3 EXTRACTOR TUBE D.20 220MM
14	0010027043NA EXTRACTOR TUBE BLACK
15	See table SWITCHING UNIT
16	0600016455 H2O OUTLET PLUG
17	VIT0002009 SCREW ST HEAD CAP M3.5X6.5
18	GUA0011010 PLUG
19	0810010558 WATER INLET VALVE CONNECTOR
20	GUA0000021 OR 130
21	See table water inlet panel

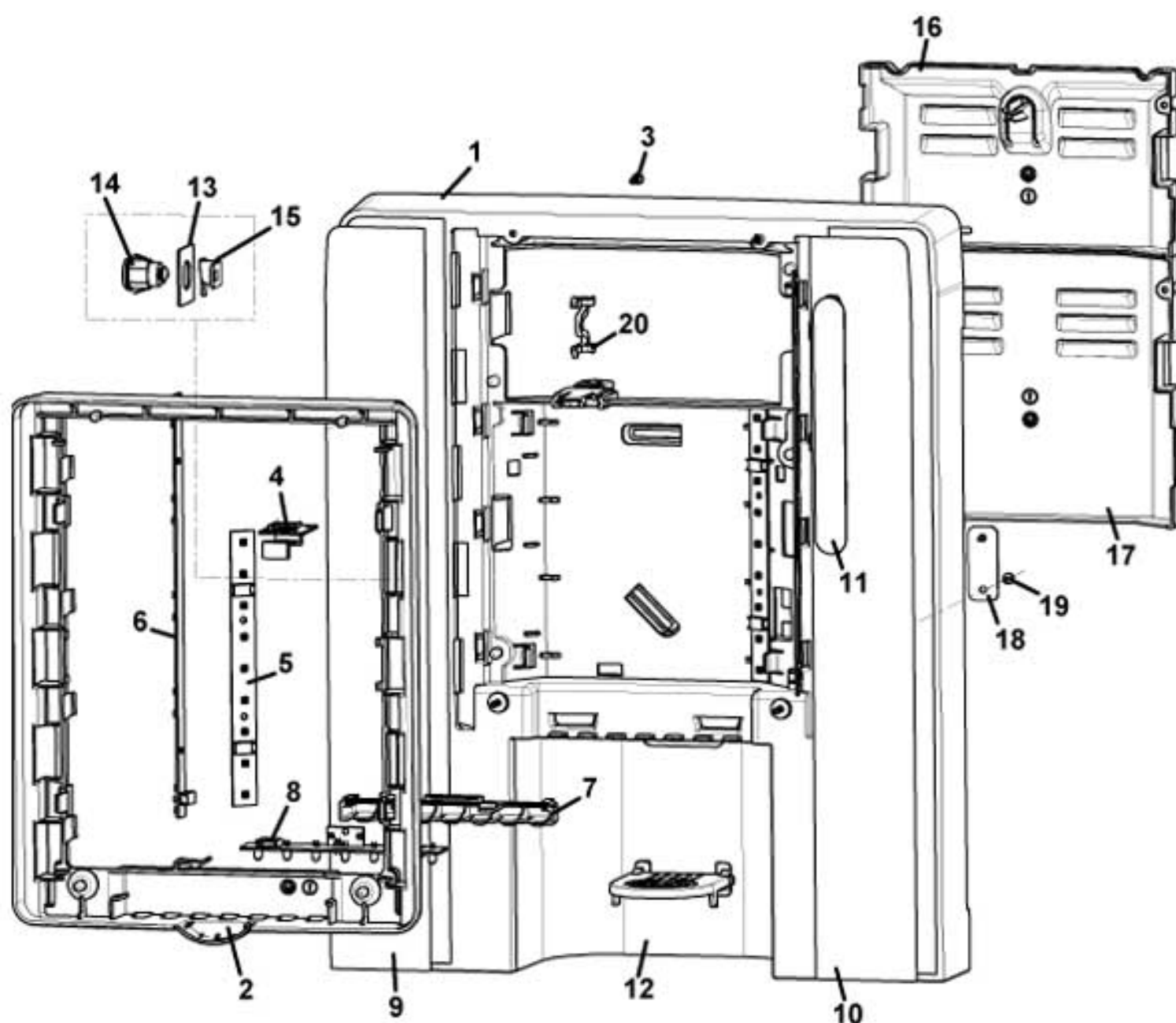
XS GRANDE - SWITCHING UNIT



XS GRANDE

XS GRANDE - SWITCHING UNIT

Pos. Code	Description
1 0130013047	RIGHT SWITCHING POWER BOX
2 ELE0062020	BOARD SUPPORT
3 0130013014	SWITCHING BOARD COVER
4/a SCH0007623-01	SWITCHING POWER BOARD 220V
4/b SCH0008821	SWITCHING POWER BOARD 110V For 120V version
5 ELE0002014	BIPOLAR SWITCH 15A 250V
6/a ELE0003507CL	FUSE HOLDER
6/b ELE0003509CL1	FUSE HOLDER+FUSE 16A For 120V version
7/a 1010100124	FUSE 12A LABEL
7/b 1010100116	FUSE 16A LABEL For 120V version
8/a ELE0002322	MAINS SOCKET 250V 10A
8/b ELE0002316	MAINS SOCKET 120V 15A For 120V version
9 VIT0002009	SCREW ST HEAD CAP M3.5X6.5
10/a ELE0055008	SUPPLY CABLE+PLUG+SCHUK.SOCKET
10/b ELE0055015	SUPPLY CABLE+PLUG 15A+SOCKET For 120V version
11 0130013043	LEFT SWITCHING POWER BOX
12 VIT0002009	SCREW ST HEAD CAP M3.5X6.5
100 0130013027CL	SWITCHING POWER BOX 10A Exluded pos. 10
101 0130013025CL	Å§ SWITCHING POWER BOX 15A-120V For 120V version excluded pos.10

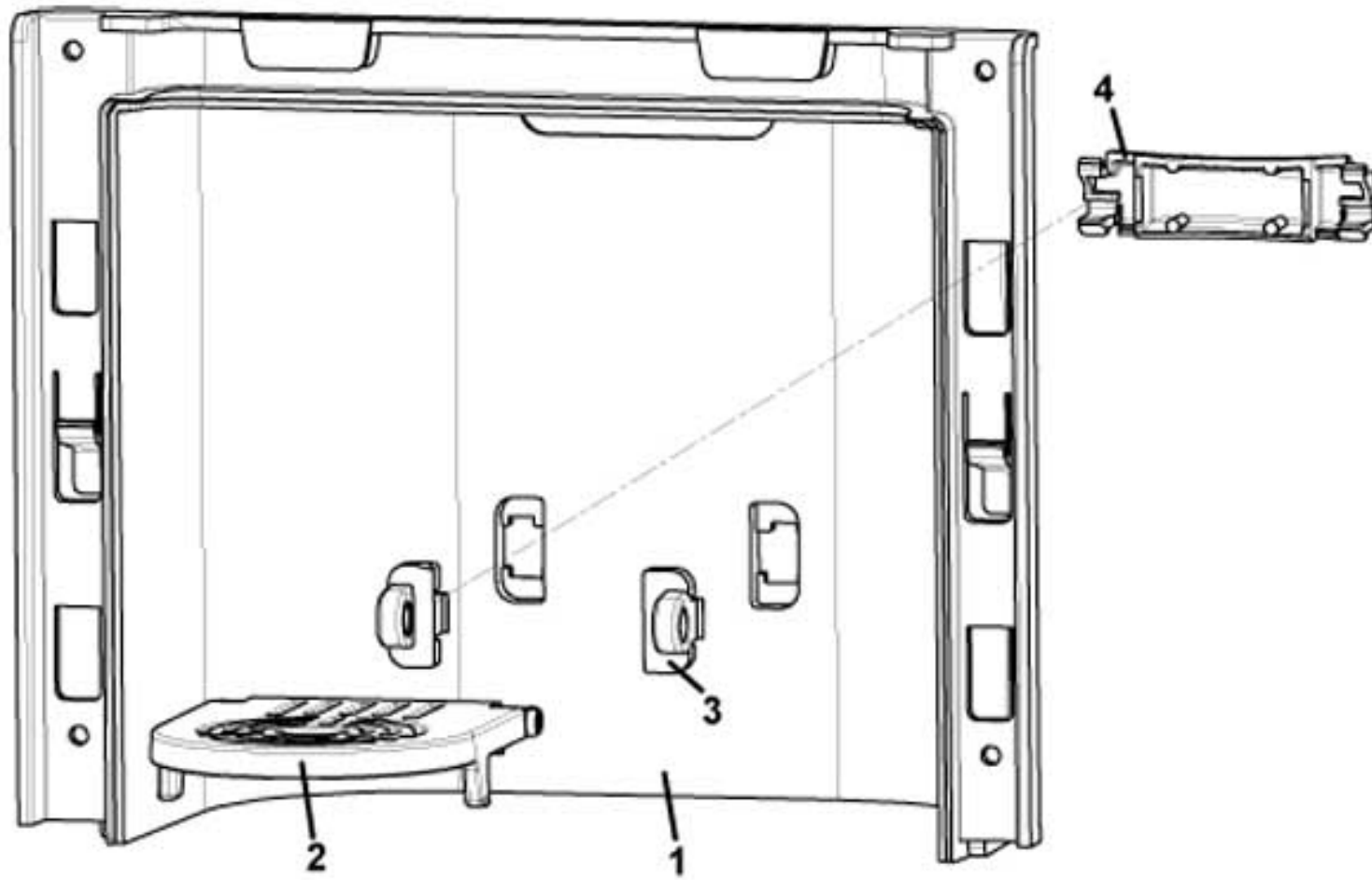


XS GRANDE

XS GRANDE - door

Pos. Code	Description
1 0020039006CM	DOOR RAL9006
2 0020039007CM	FRAME RAL9006
3 VIT0002466	SCREW HEAD TAP M3.5X16
4 SCH0005860	FLASH BOARD
5 SCH0008160	LIGHTING BOARD
6 SCH0008120	LIGHTING BOARD
7 0020039078TR	CUP STAT.ENLIGHTENMENT SUPPORT
8 SCH0008144	LIGHTING CUP STATION BOARD
9 0020039043	LEFT PANEL RAL9005
10 0020039048	RIGHT PANEL RAL9005
11 0020039537NA	COIN ENTRY BLANK.PLATE
12	See table cups stop
13 0020037014	LOCK PLATE
14 SER0000024/1	LOCK-STAINLESS STEEL + KEY 3374
15 0020037015	LOCK PLATE
16 0020039075IC	UPPER DOOR RAL2011
17 0020039076-01NA	LOWER DOOR COVER BLACK
18 0020039551NA	BRACKET
19 VIT0002469	SCREW HEAD TAP M3.5X10
20 0020039080NA	PLEXIGLASS STOPPER

XS GRANDE - cups stop

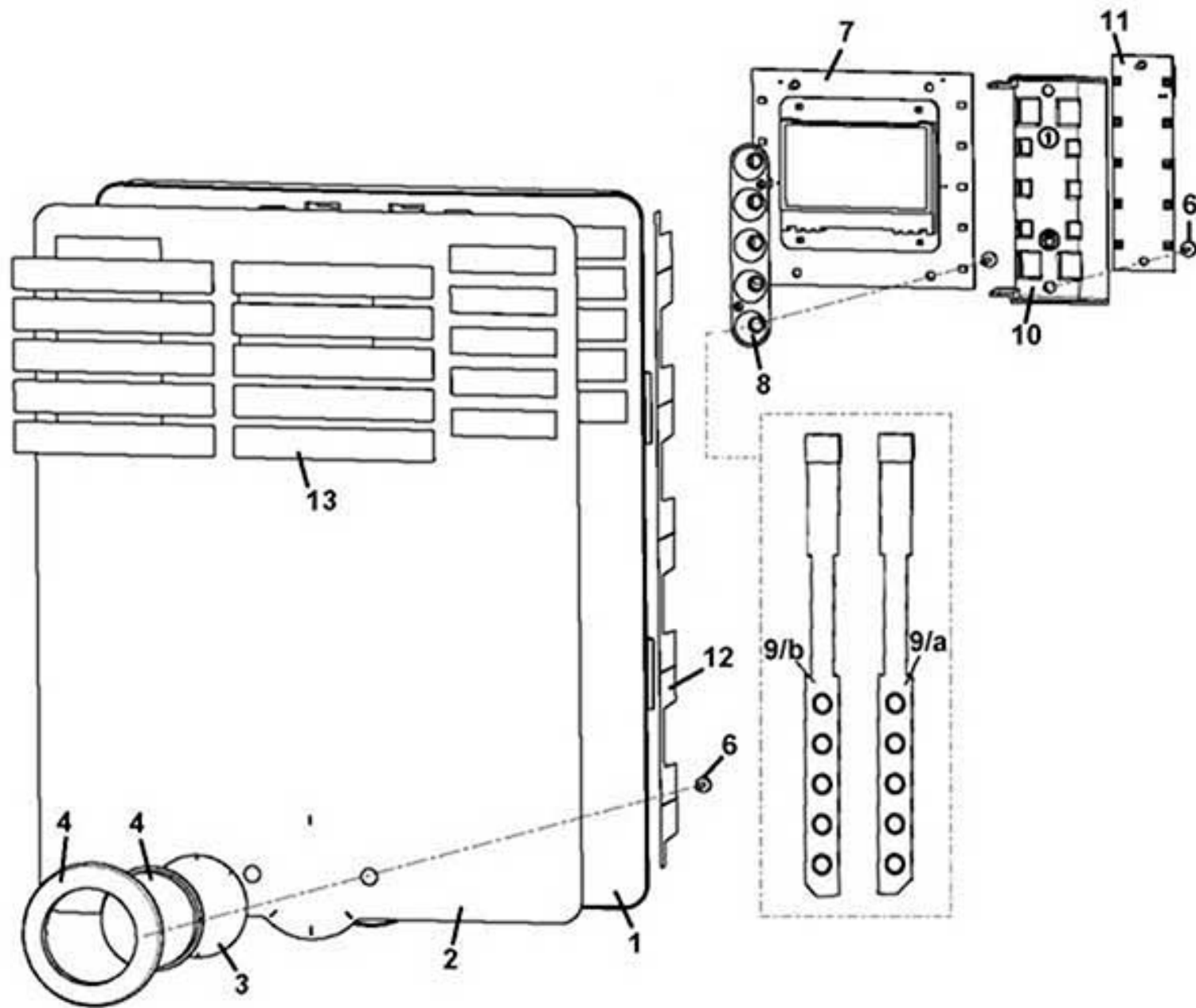


XS GRANDE

XS GRANDE - cups stop

Pos. Code	Description
1/a 0020039071NA	CUPS STATION FRAME BLACK
1/b 0020039071XM	CUP STATION FRAME (METALLIC)
2 0020039072NA-02	CUP SUPPORT BLACK
3 0020039073	CUPS SUPPORT PIN
0020039073NA	CUPS SUPPORT PIN BLACK
0020039073TR	CUPS SUPPORT PIN TRASPARENT
4 0020039087IC	CUP SUPPORT STOPPER

XS GRANDE - LIGHTING GLASS

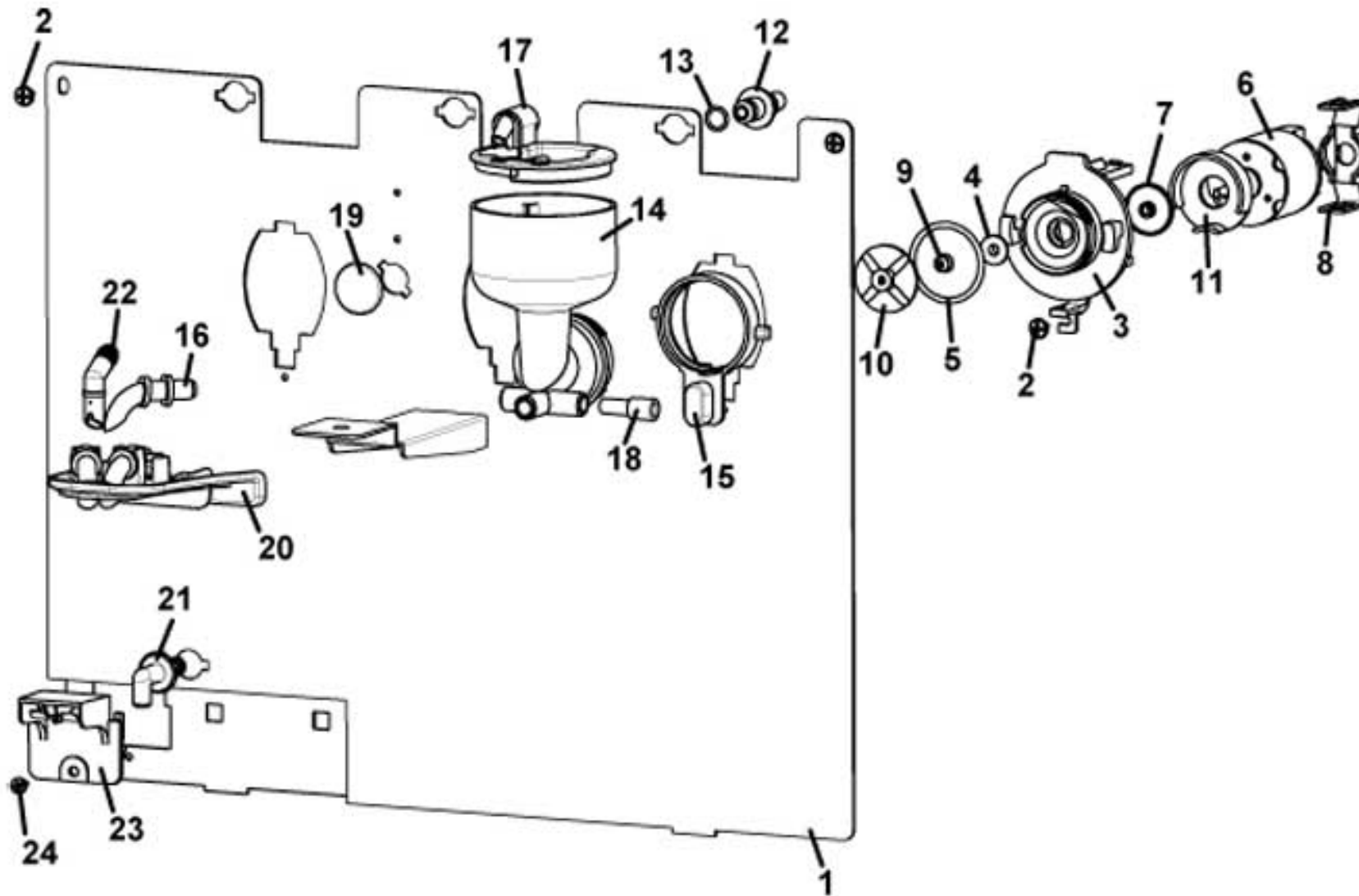


XS GRANDE

XS GRANDE - LIGHTING GLASS

Pos. Code	Description
1 0020039008TR	PLEXIGLASS GRAPHIC PANEL
2/a 1030000199	GRAP.PANEL NEW FF BLACK
2/b 1030000200	GRAP.PANEL NEW FF WHITE
3 1030000188	ADHESIVE LOGO
4 0020039084CL	Å§ DOOR LOGO FRAME
6 VIT0002466	SCREW HEAD TAP M3.5X16
7 SCH0008242CL	DISPLAY BOARD
8 0020039079NA	GUIDE
9/a ELE0000470	KEYPAD 5 BUTTONS-RIGHT
9/b ELE0000471	KEYPAD 5 BUTTONS-LEFT
10 0020039086NA	GUIDE
11 SCH0008220	SELECT. LABEL LIGHTING BOARD
12 0020039015ID	ORANGE LED FILTER
13	Communicate the serial number of the machine during the order
100 ELE0000470R	Å§ KEYPAD 5 BUTTONS-RIGHT+LEFT Pos.9/a+9/b

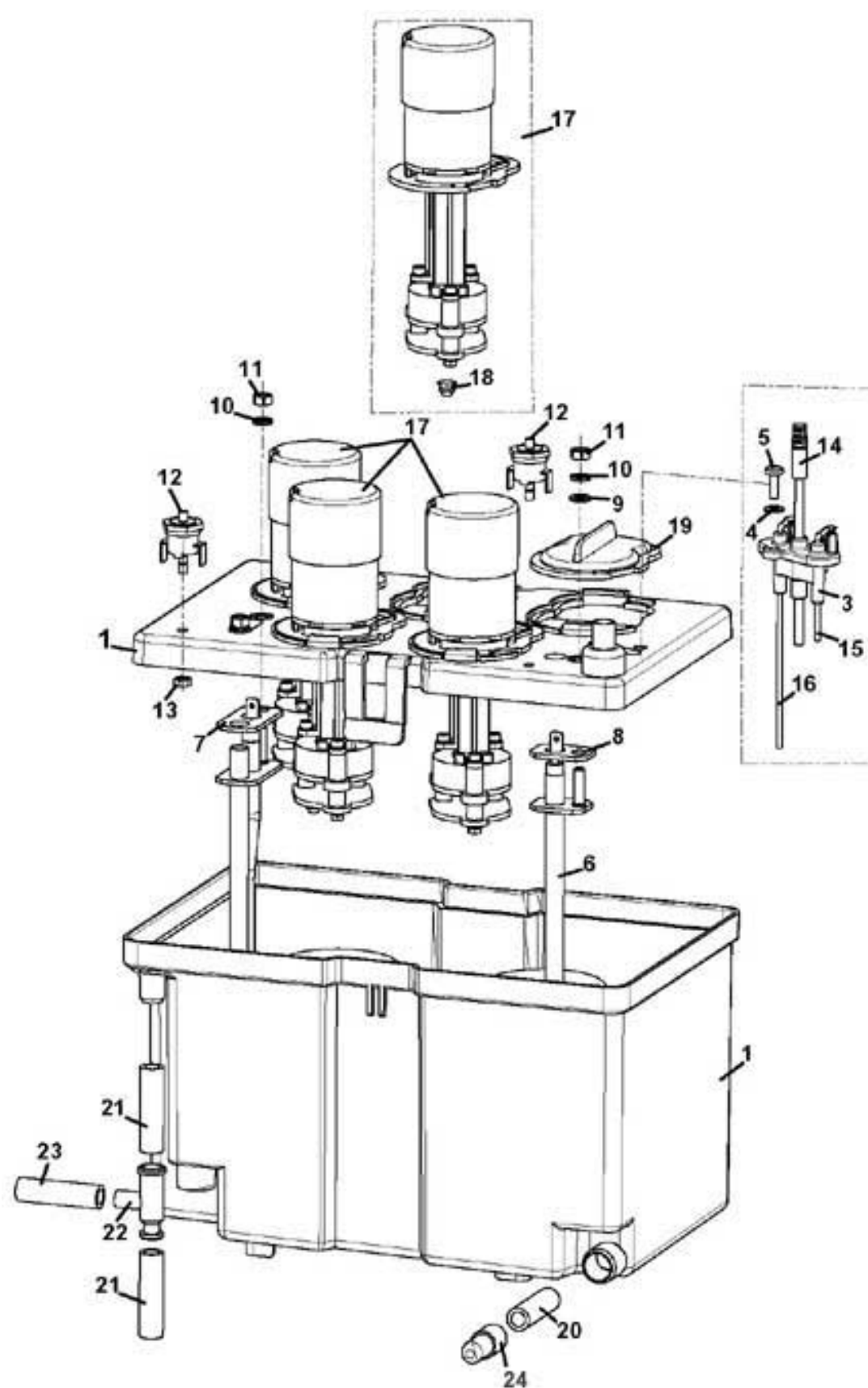
XS GRANDE - mixer plan (instant version)



XS GRANDE

XS GRANDE - mixer plan (instant version)

Pos. Code	Description
1 0080200002NA	MIXER SUPPORT (RAL9005)
2 VIT0002401	SCREW ST HEAD CAP M3.5X9.5
3 0080100005	MOTOR MIXER BASE
4 0080100015	MIXER BUSH
5 GUA0000084	OR 3131
6 0090003023	MIXER MOTOR 24V DC SHAFT D.4
7 0080100024	MIXER FAN
8 0080100009IC	MIXER MOTOR SUPPORT RAL2011
9 0080100101	MIXER SHAFT GASKET
10 0080100011	MIXER FAN
11 0080100023IC	MIXER COVER RAL2011
12 0080100043	MIXER CONNECTOR (BLACK)
13 GUA0000085	OR 106 SILICON
14/a 0080200110L	MIXING BOWL L.W/H20 BREAKER
14/b 0080200111R	MIXING BOWL R.W/H20 BREAKER
14/c 0080200112C	MIXING BOWL F.W/H20 BREAKER
15 0080100006IC	LOCK RING RAL2011
16 0010020052	PRODUCT NOZZLE
17 0080100042	MIXER RING W/INLET PIPE
18 0080100095	TUBE REDUCER4.0
19 0080100035NA	CONNECTOR PLUG BLACK
20 0020039529-06NA	NOZZLES HOLDER
21 0080100084	90° CONNECTOR
22 0020039533	SPOUT DELIVERY 30° D.6
23 0010020836CL	Å§ DRIP TRAY SENSOR SUPPORT
24 VIT0002009	SCREW ST HEAD CAP M3.5X6.5
100 0080100001R	Å§ MIXER BOWL BASE+MOTOR From pos.3 to pos.11

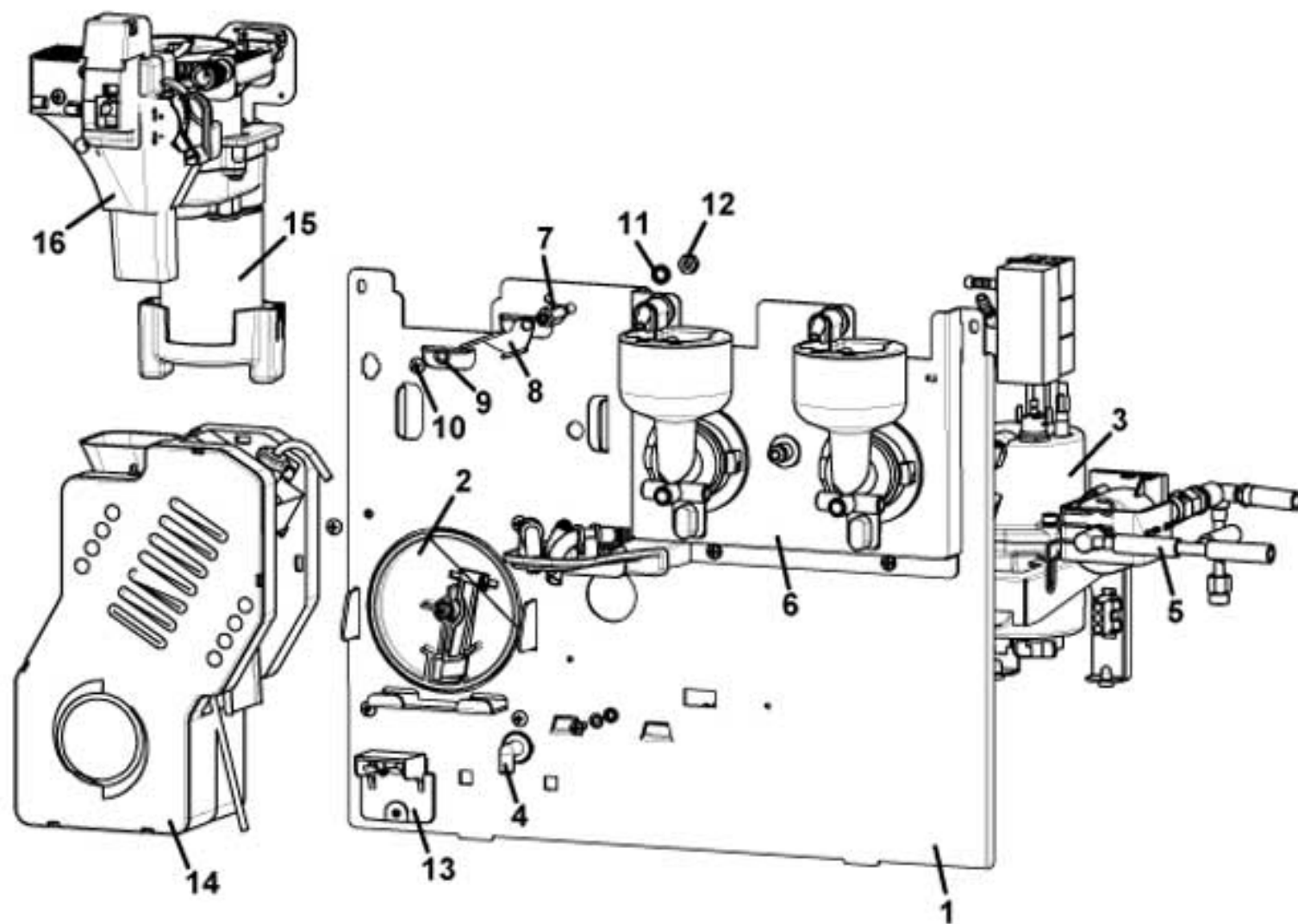


XS GRANDE

XS GRANDE - boiler

Pos. Code	Description
1 0600014111R	Â§ TANK+BOILER COVER
3 0600016089	PROBE SUPPORT
4 VIT0003211	WASHER 4,3X9X0,8
5 VIT0001005	SCREW HEAD TAP CAP M4X12
6/a 0600016138R	Â§ HEATING ELEMENT 1600W 230V
6/b 0600016139	HEATING ELEMENT 1300W 120V For 120V version
7 0600014113	HEATING ELEM GASKET
8 0600014114	HEATING ELEM GASKET
9 VIT0003203	WASHER 5,3X10X1
10 VIT0003111	SPRING WASHER 5,3
11 VIT0004804	NUT M5
12 ELE0000965	CLIXSON 88Â°
13 VIT0004816	NUT M4
14 ELE0000963R	Â§ TEMPERATURE PROBE+SENSOR
15 0600016054	MAXIMUM LEVEL PROBE
16 0600016053	MINIMUM LEVEL PROBE
17 0600016405R	Â§ BOILER PUMP
18 0080100101	MIXER SHAFT GASKET
19 0600016422	PUMP LID
20 TSIL10/14T	SILICON HOSE 10X14
21 TSIL07/11T	SILICON HOSE 7X11
22 0600016028	T CONNECTOR
23 TSIL05/08T	SILICON HOSE 5X8
24 650001057	DRAINER PLUG
100 0600014200CL2	Â§ BOILER PLUMBED 3PUMP 230V
101 0600014200CL3	Â§ BOILER UNPLUMBED 3PUMP 230V
102 0600014201CL2	Â§ BOILER PLUMBED 4PUMP 230V
103 0600014205CL2	2 PUMPS BOILER A.R. 230V WITH INTEGRATED TERMOFUSE
104 0600014203CL1	Â§ BOILER-3PUMP-A.R.-120V

XS GRANDE - mixer plan (espresso version)

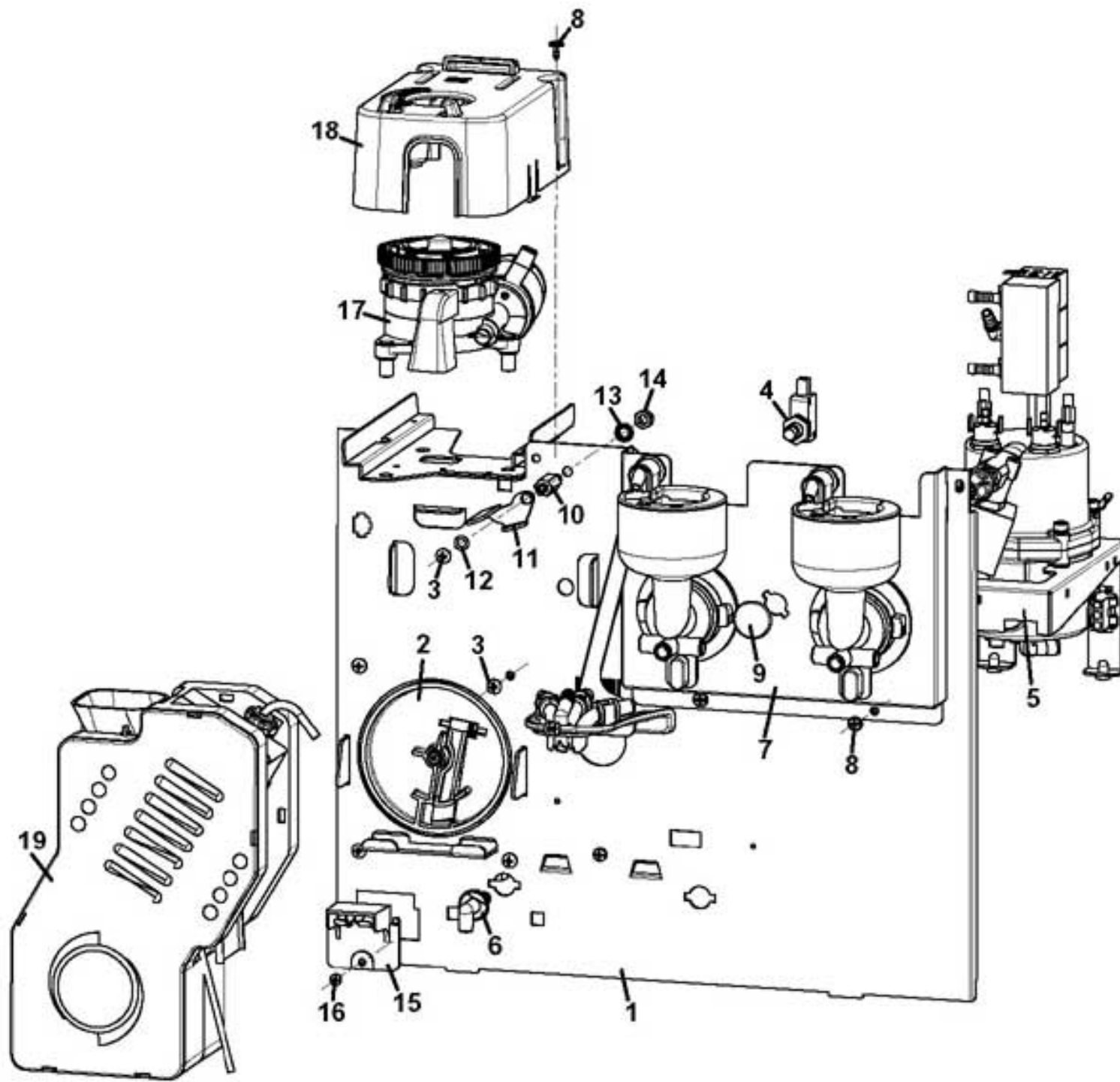


XS GRANDE

XS GRANDE - mixer plan (espresso version)

Pos. Code	Description
1 0260012002	MICRO E GROUP SUPPORT
0260012002NA	MICRO E GROUP SUPPORT BLACK
2	See table micro coffee group motor support
3	See table micro group boiler
4 0080100084	90° CONNECTOR
5	See table ESPRESSO boiler support
6	See table 2 MIXERS SUPPORT ASSEMBLY
7 0010020196	BREWER FIX LEVER
8 0010020132	FIXING PLATE
9 GUA0000004	OR 104
10 VIT0000030	SCREW HEAD TAP CAP M4X7
11 VIT0003105	SPRING WASHER 6,4
12 VIT0004505	NUT M6
13 0010020836CL	Å§ DRIP TRAY SENSOR SUPPORT
14/a	See table micro coffee group
14/b	See table heated micro coffee group
15	See table vertical mill groups
16	See table plastic batcher with setting

XS GRANDE - mixer plan (espresso version)-120v version

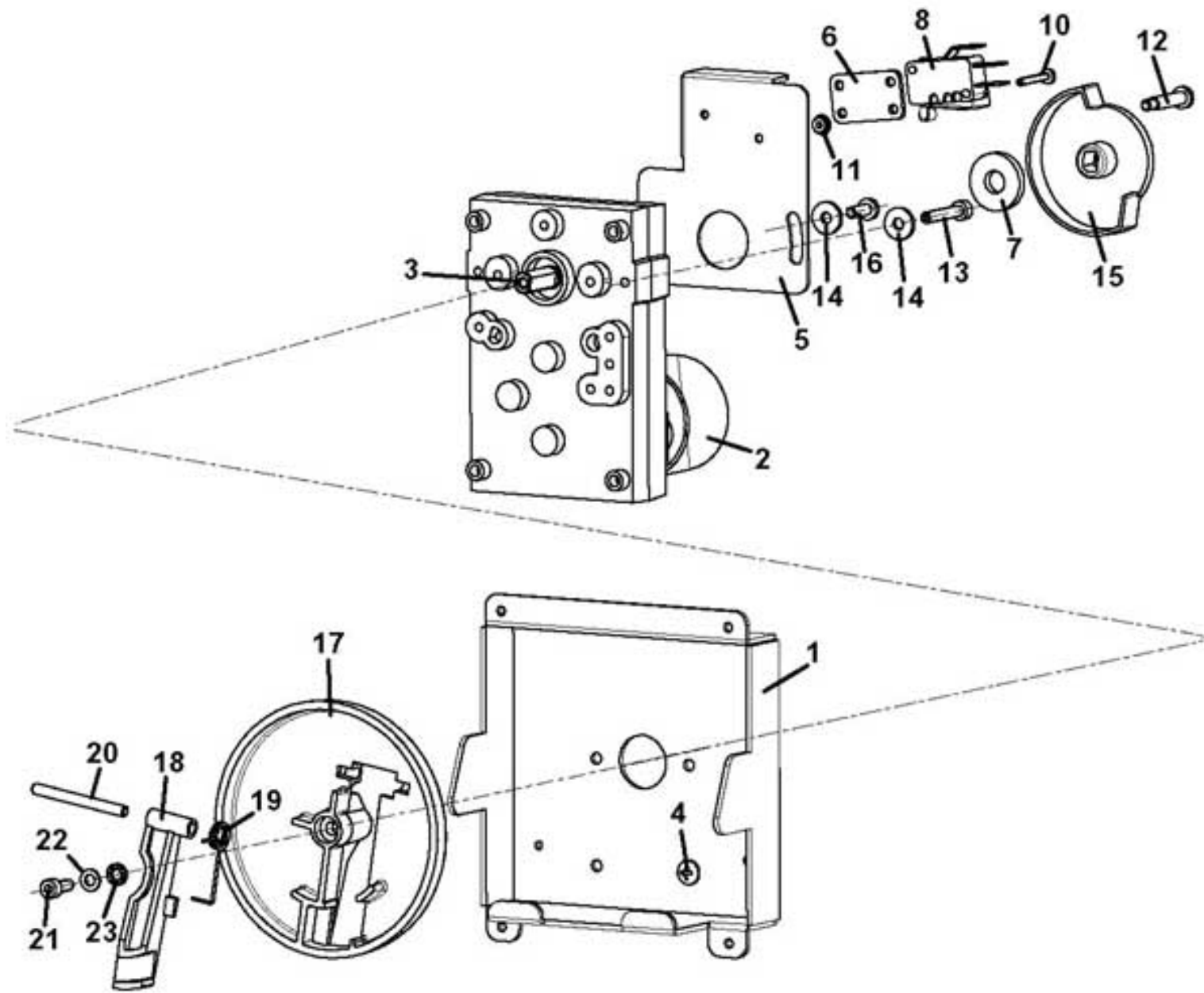


XS GRANDE

XS GRANDE - mixer plan (espresso version)-120v version

Pos. Code	Description
1 0260012072NA	MICRO E GROUP SUPPORT (BLACK)
2	See table micro coffee group motor support
3 VIT0000030	SCREW HEAD TAP CAP M4X7
4 ELE0001506	MICROSWITCH
5	See table ESPRESSO boiler support
6 0080100084	90° CONNECTOR
7	See table 2 MIXERS SUPPORT ASSEMBLY
8 VIT0002401	SCREW ST HEAD CAP M3.5X9.5
9 0080100035NA	CONNECTOR PLUG BLACK
10 0010020196	BREWER FIX LEVER
11 0010020132	FIXING PLATE
12 GUA0000004	OR 104
13 VIT0003105	SPRING WASHER 6,4
14 VIT0004505	NUT M6
15 0010020836CL	Å§ DRIP TRAY SENSOR SUPPORT
16 VIT0002009	SCREW ST HEAD CAP M3.5X6.5
17	See table GRINDER-120V VERSION
18 0230015739	MICRO GRINDER COVER
19	

XS GRANDE - micro coffee group motor support

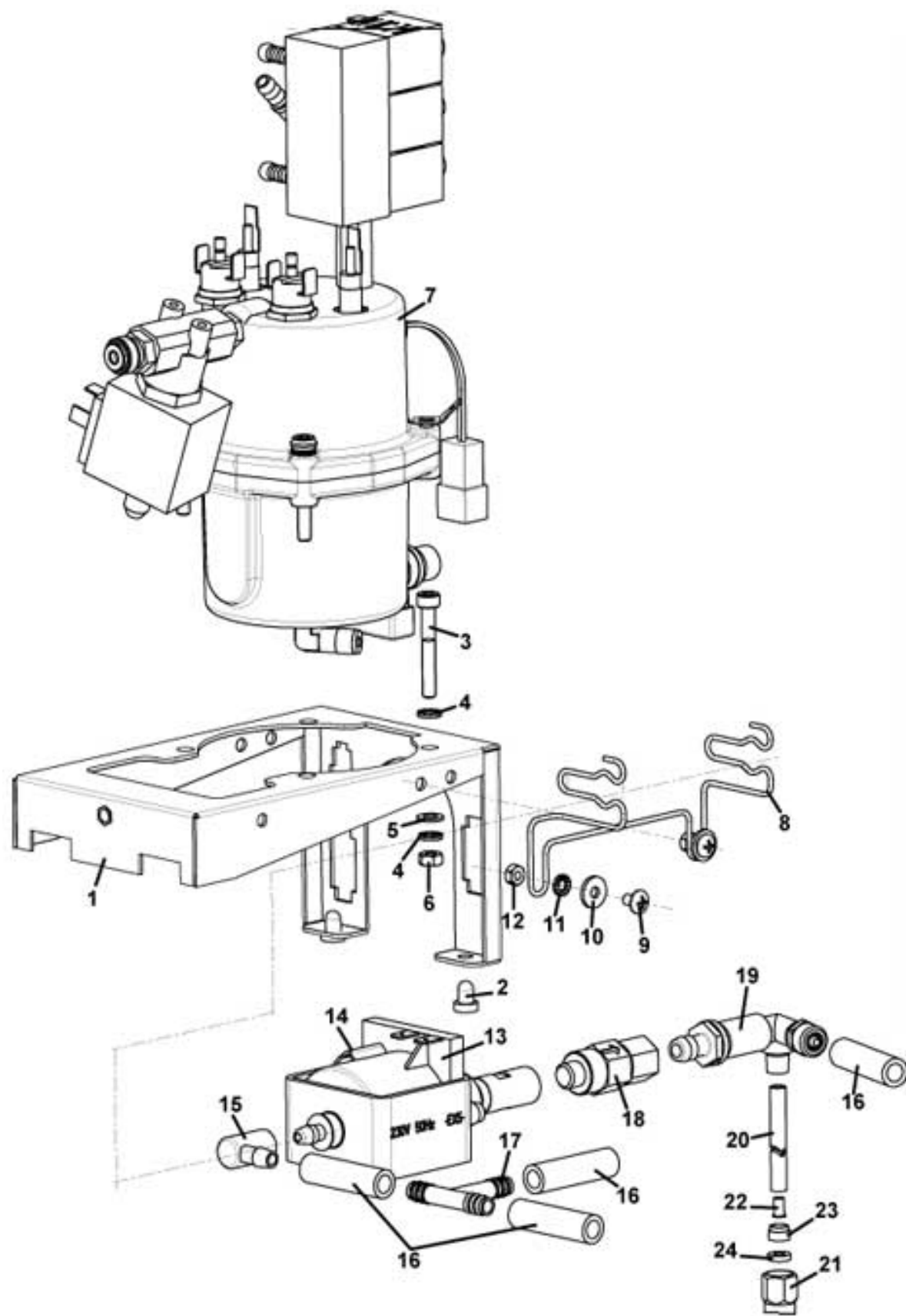


XS GRANDE

XS GRANDE - micro coffee group motor support

Pos. Code	Description
1 0260010128	MICRO BREWER MOTOR SUPPORT
2 0090002191	MOTOR 24 DC 11 RPM
3 0090002181	BREWER MICRO SHAFT
4 VIT0000030	SCREW HEAD TAP CAP M4X7
5 0250008093	MICRO PLATE
6 4600010014	SPACER
7 0250008091	SPACER
8 ELE0001529	MICROSWITCH WITH LEVER
10 VIT0000007	SCREW HEAD TAP CAP M3X20
11 VIT0004701	NUT M3
12 0250008126	PIN M4
13 VIT0005521	SCREW HEX HEAD REC TAP M4X25
14 VIT0003301	WASHER 4,3X12X1,5
15 0250008043	MICRO GROUP READER DISK
16 VIT0000012	SCREW HEAD TAP CAP M4X10
17 0250008012	MOTOR CRANK
18 0250008034	HOOKING LEVER
19 0250008059	SPRING
20 VIT0005205	DOWEL PIN 4X40
21 VIT0005508	SCREW HEX HEAD REC TAP M4X12
22 VIT0003003	WASHER 4,3X8X0,8
23 VIT0003103	SPRING WASHER 4,3

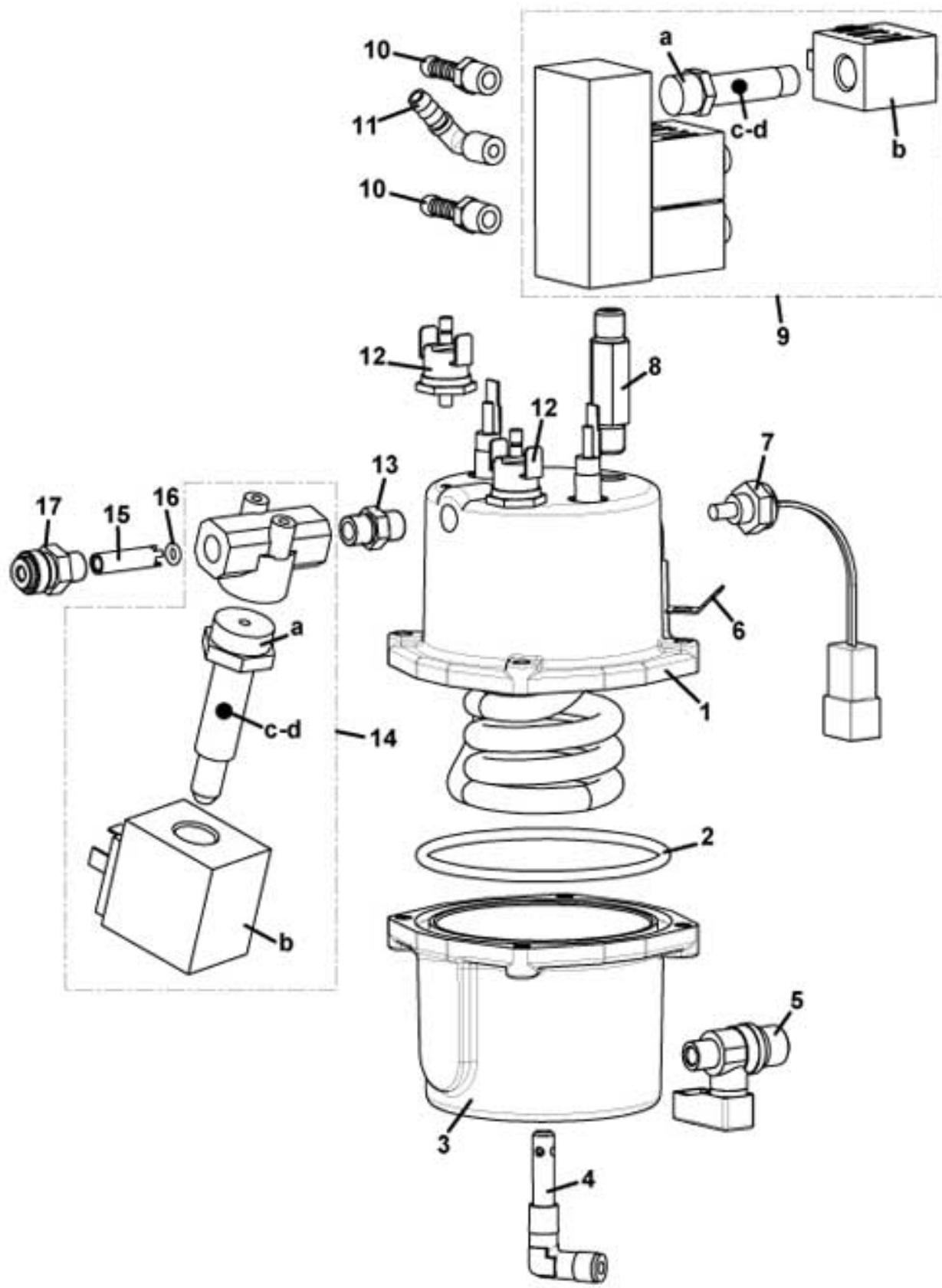
XS GRANDE - ESPRESSO boiler support



XS GRANDE

XS GRANDE - ESPRESSO boiler support

Pos. Code	Description
1 0010027221	BOILER SUPPORT RAL 9005
2 0020018061	SELECTION BUTTON PLUG
3 VIT0000246	SCREW HEX HEAD REC TAP M5X30
4 VIT0003104	SPRING WASHER 5,3
5 VIT0003203	WASHER 5,3X10X1
6 VIT0004504	NUT M5
7	See table micro group boiler
8 0110004038	PUMP SUPPORT
9 VIT0000205	SCREW HEX HEAD M4X10
10 VIT0003301	WASHER 4,3X12X1,5
11 VIT0003103	SPRING WASHER 4,3
12 VIT0004503	NUT M4
13/a 0110004041	PUMP EX5 230V-50HZ
13/b 0110004072	PUMP EX5 120V-60HZ For 120V version
14 ELE0000915	PUMP THERMOPROTECTOR
15 0110004023	CONNECTOR
16 TSIL05/08T	SILICON HOSE 5X8
17 0100003022	T CONNECTOR 461 TS
18 0110002012R	Å§ CHECK VALVE I:1/8M O:1/8F
19/a 0110004060	BY PASS VALVE 8 BAR
19/b 0110004070	BY PASS VALVE 11 BAR
20 TTEF04/06T	PTFE PIPE 4X6
21 0100001002	CONNECTOR NUT
22 0100002005	NUT D.4
23 0100002002	LOCKING RING SO1-6
24 0100003002	COPPER GASKET SO5-5-1/8

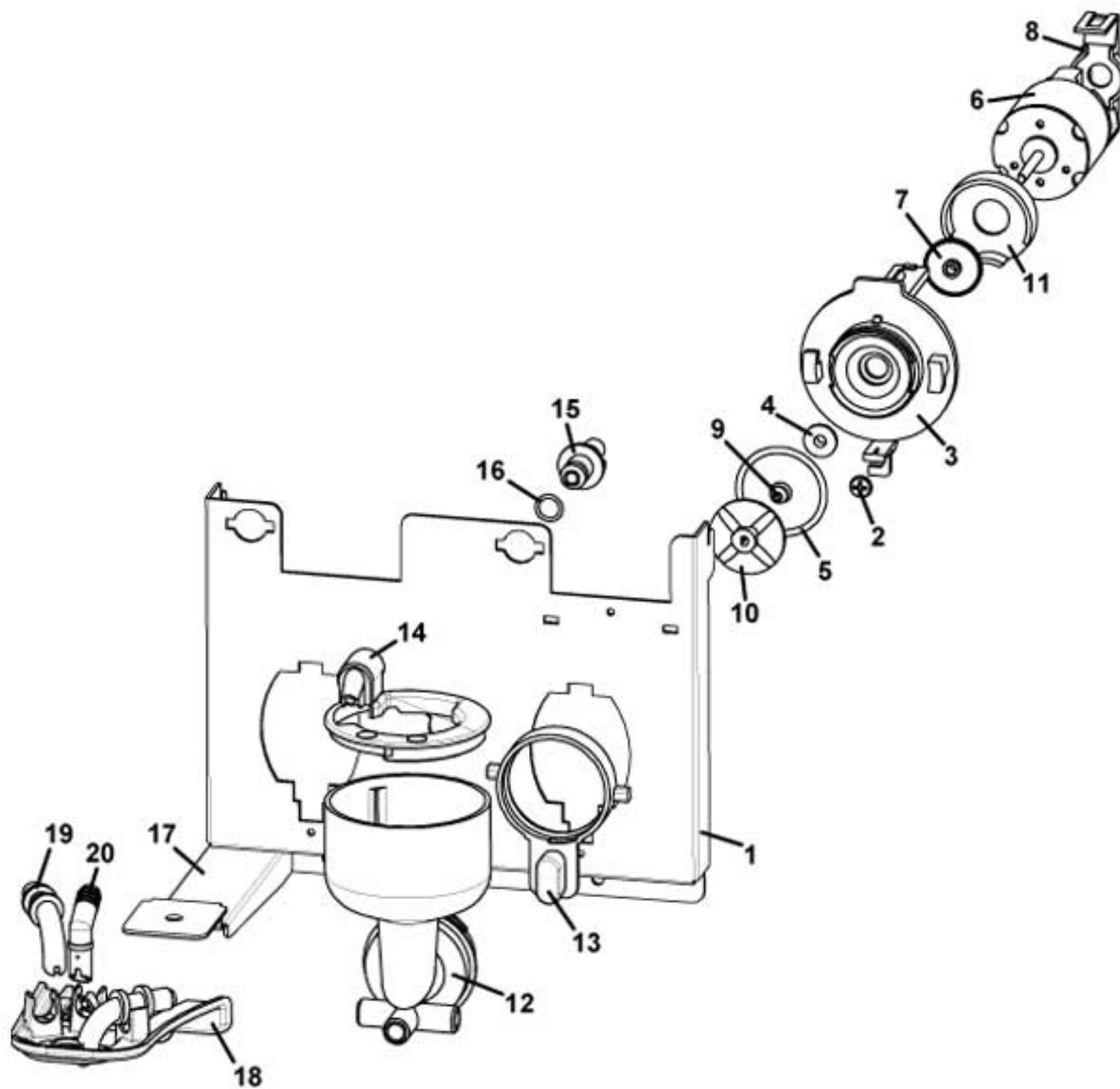


XS GRANDE

XS GRANDE - micro group boiler

Pos. Code	Description
1/a 0600019102	Å§ UPPER BOILER CASING+H.ELEM.
1/b 0600019106	UPPER BOILER CASING 120V For 120V version
2 GUA0000120	OR VITON
3 0600019104	LOWER BOILER CASING
4 0600019115	ELBOW CONNECTOR
5 0600019017	TAP M/F 1/8
6 0600019012	GROUND WIRING
7 ELE0000975	PROBE
8 0600012658	BOILER STRAIGHT CONNECTOR
9/1 0110001117	VALVE BLOCK 3V 2W 24V DC 7W
9/2 0110001111	VALVE BLOCK 2V 2W 24V DC 7W
9/a 0110010138	SLEEVE (D.13,9+WHITE OR)
9/a 0110010148	SLEEVE (D.14,9+GREEN OR)
9/b 0110010135	COIL 7W 24V DC
9/c 0110010136	CORE+SPRING
9/d 0110010139	SPRING
10 0100001082	RUBBER HOLDER D.7-GC 1/8
11 0100001083	ELBOW CONNECTOR
12 ELE0000976	CLIXSON 120Å°
13 0100001084	NIPPLE 1/8
14 0110001112	VALVE 3W 1/8 24V DC
14/a 0110010142	SLEEVE
14/b 0110010141	COIL 24V DC
14/c 0110010144	CORE+SPRING
14/d 0110010146	SPRING
15 0110003122	SPACER OR
16 GUA0000069	OR 2015 VITON
17 0110003121	STRAIGHT CONNECTOR
100 0600019120CL	Å§ PRESS. BOILER 3+1VALVE
101 0600019119CL	Å§ PRESS. BOILER 2+1VALVE
102 0600019117CL3	Å§ PRESS. BOILER 2+1VALVE 120V For 120V version

XS GRANDE - 2 MIXERS SUPPORT ASSEMBLY

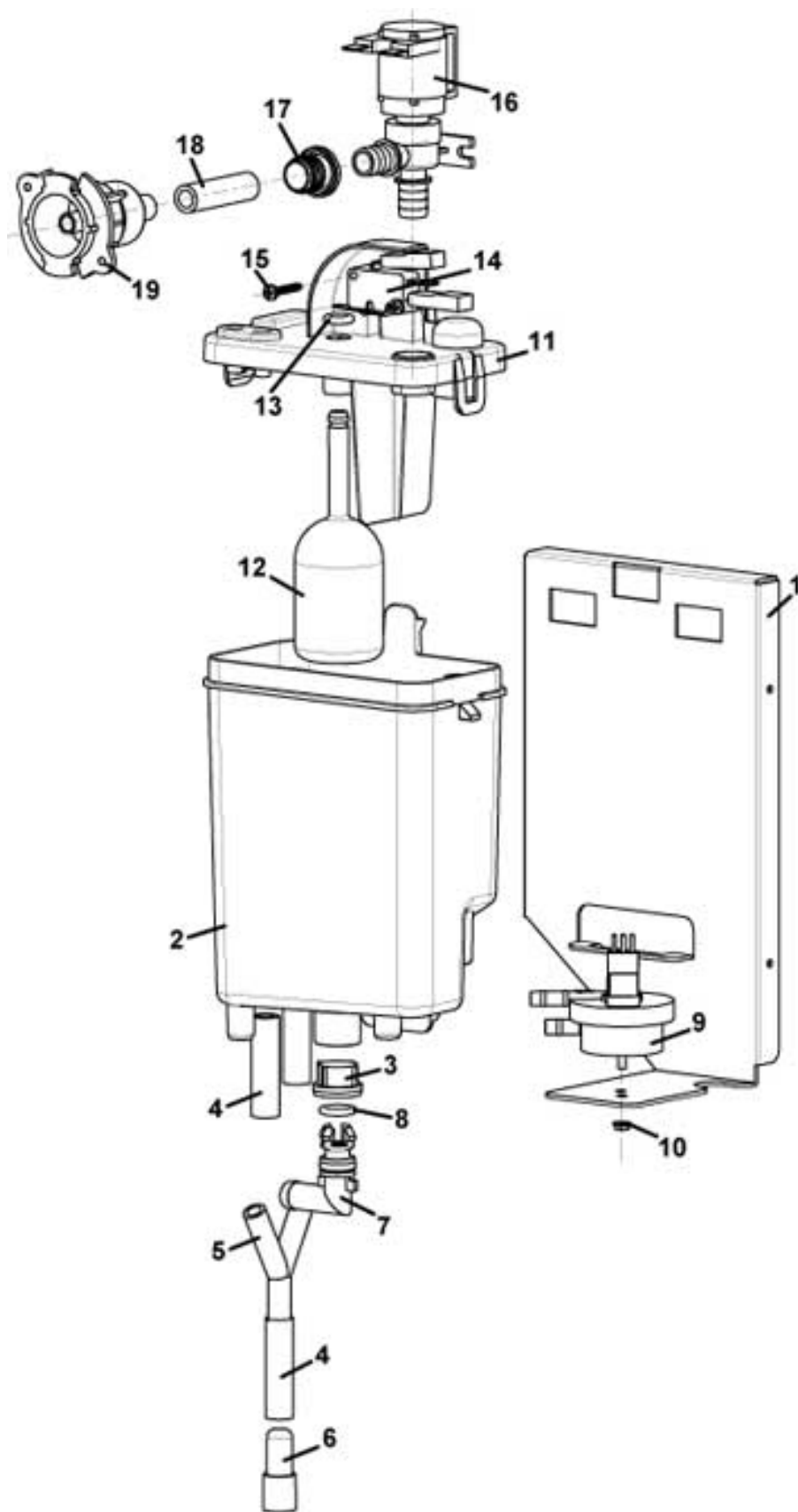


XS GRANDE

XS GRANDE - 2 MIXERS SUPPORT ASSEMBLY

Pos. Code	Description
1 0080200012NA	MIXER PLATE
2 VIT0002401	SCREW ST HEAD CAP M3.5X9.5
3 0080100005	MOTOR MIXER BASE
4 0080100015	MIXER BUSH
5 GUA0000084	OR 3131
6 0090003023	MIXER MOTOR 24V DC SHAFT D.4
7 0080100024	MIXER FAN
8 0080100009IC	MIXER MOTOR SUPPORT RAL2011
9 0080100101	MIXER SHAFT GASKET
10 0080100011	MIXER FAN
11 0080100023IC	MIXER COVER RAL2011
12/a 0080200110L	MIXING BOWL L.W/H20 BREAKER
12/b 0080200111R	MIXING BOWL R.W/H20 BREAKER
12/c 0080200112C	MIXING BOWL F.W/H20 BREAKER
13 0080100006IC	LOCK RING RAL2011
14 0080100080	LOCK RING
15 0080100043	MIXER CONNECTOR (BLACK)
16 GUA0000085	OR 106 SILICON
17 0080200014NA	NOZZLES HOLDER
18 0020039529-06NA	NOZZLES HOLDER
19 0010020052	PRODUCT NOZZLE
20 0380011665EB	COFFEE NOZZLE (RAL8019)
100 0080100001R	Å§ MIXER BOWL BASE+MOTOR From pos.3 to pos. 11

XS GRANDE - water inlet panel

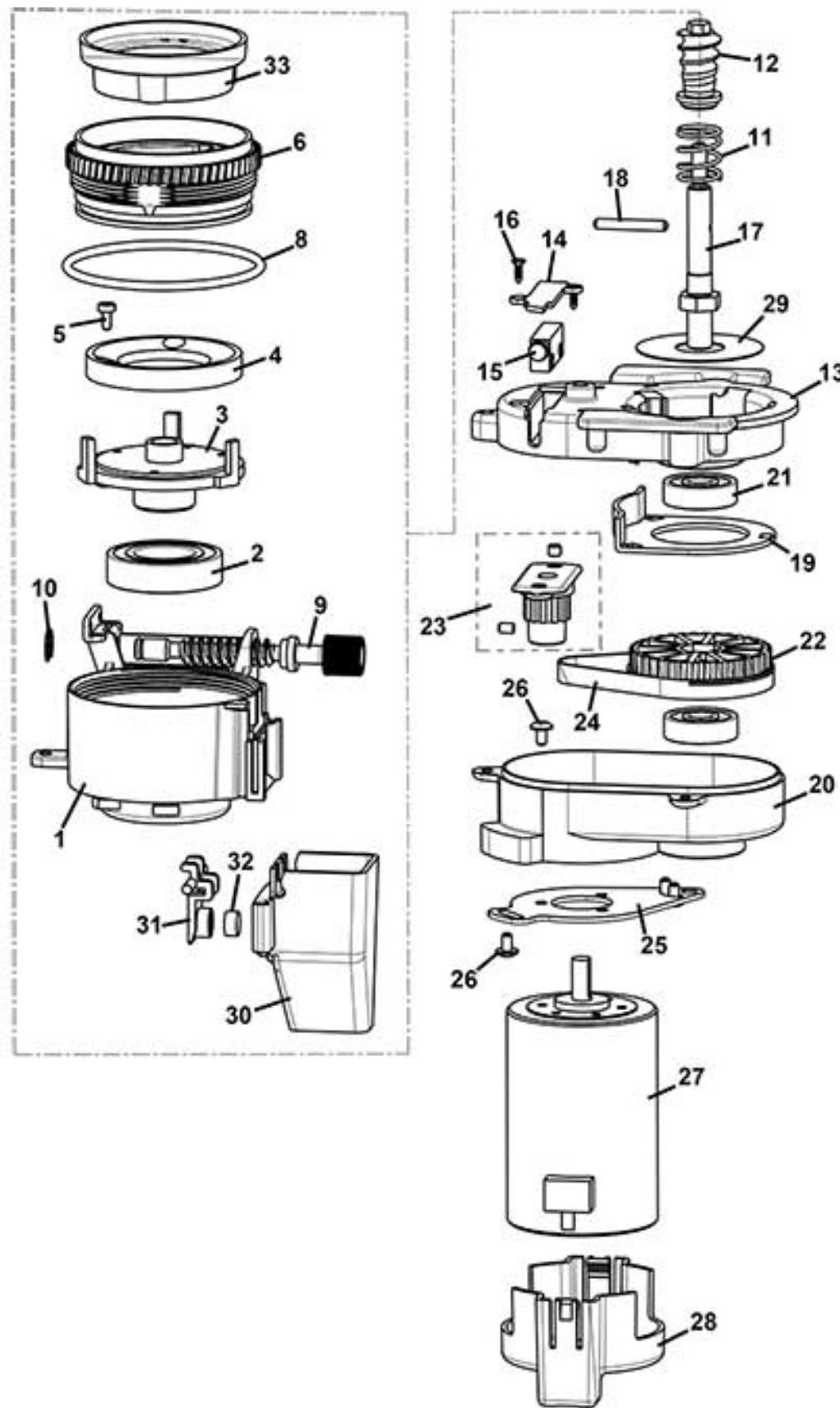


XS GRANDE

XS GRANDE - water inlet panel

Pos. Code	Description
1 0010027244-05	AIR BREAK HOLDER BRACKET
2 0800013041	AIR BREAK TANK
3 0110020007	PLASTIC FILTER DIAM. 20
4 TSIL07/11T	SILICON HOSE 7X11
5 0100001065	CONNECTOR "Y"
6 650001057	DRAINER PLUG
7 0800009211	ELBOW CONNECTOR
8 GUA0000043	OR 109
9 0110007003	VOLUMETRIC COUNTER
10 VIT0004701	NUT M3
11 0800013043	AIR BREAK COVER
12 0800013046	AIR BREAK WASTE FLOAT
13 GUA0000082	SILOCONE GASKET D.6
14 ELE0001514	MICROSWITCH 3A 125-250VA
15 VIT0002013	SCREW ST HEAD CAP M2.9X19
16 0110001103	VALVE 2W 24V DC
17 0800013051	VALVE GASKET
18 TSIL06/11T	SILICON HOSE 6X11
19 0800012015	WATER TANK CONNECTOR

XS GRANDE - vertical mill groups

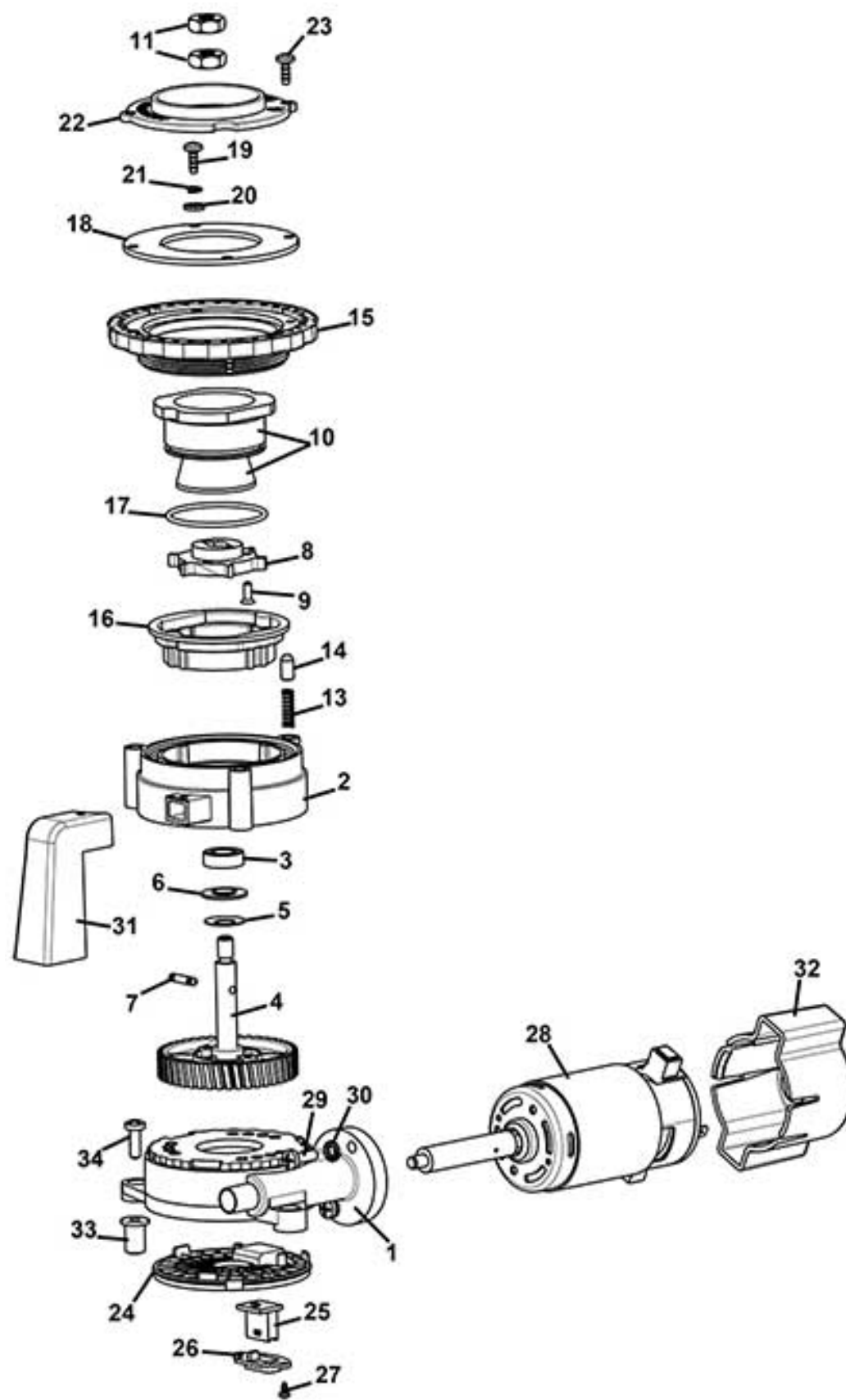


XS GRANDE

XS GRANDE - vertical mill groups

Pos. Code	Description
1 0320001525AH	MILLSTONES SUPPORT RAL9003
2 VIT0009315	BEARING
3 0320001536	LOWER GRINDER SUPPORT
4 0320001559	GRINDER RING D.63.4 20/56
5 VIT0000024	SCREW HEAD FLAP CAP M4X8
6 0320001515AH	TOOTHED RING NUT RAL9003
8 GUA0000101	OR 3262 SILICON
9 0320001514AH	REGULATION SCREW RAL9003
10 VIT0006506	RING 7
11 0320001558	SPRING
12 0320001538	GRINDER BODY BLOCK
13 0320001513AH	UPPER BATCHER BOX RAL9003
14 0320001521AH	SENSOR COVER RAL9003
15 ELT0030671	MAGNETIC SENSOR
16 VIT0002107	SCREW COUNT FLAT HEAD M2.9X6.5
17 0320001512	TRANSMISSION SHAFT
18 VIT0005101	PIN 3X16
19 0320001524AH	COVER RAL9003
20 0320001506AH	LOWER BATCHER BOX RAL9003
21 VIT0009314	BEARING
22 0320001531AH	PULLEY RAL9003
23/a 0320001537CLR	Å§ PULLEY+MAGNET Buy if the pos.13 have the lateral hollow lower than 1cm
23/b 0320001537CLR1	Å§ PULLEY+MAGNET Buy if the pos.13 have the lateral hollow upper than 1cm
24 0090006006	TOOTHED BELT
25 0320001522	MOTOR SUPPORT FLANGE
26 VIT0000030	SCREW HEAD TAP CAP M4X7
27 0090003045	GRINDER MOTOR 220V DC
28 0320001519AH	GRINDER SENSOR COVER RAL9003
29 0320001555	SPACER
30 0250010290IC	GROUNDS CHUTE RAL2011
31 0250010292IC	COUNTERWEIGHT SUPPORT RAL2011
32 0250010303	COFFEE CHUTE WEIGHT
33 0320001540	GRINDER UPPER GASKET
100 0320001508CL	Å§ GRINDER From pos. 1 to pos. 29 excluded pos. 15+23/a and 23/b
101 0320001509CL	Å§ GRINDER W/SENSOR From pos.1 to pos. 29

XS GRANDE - GRINDER-120V VERSION

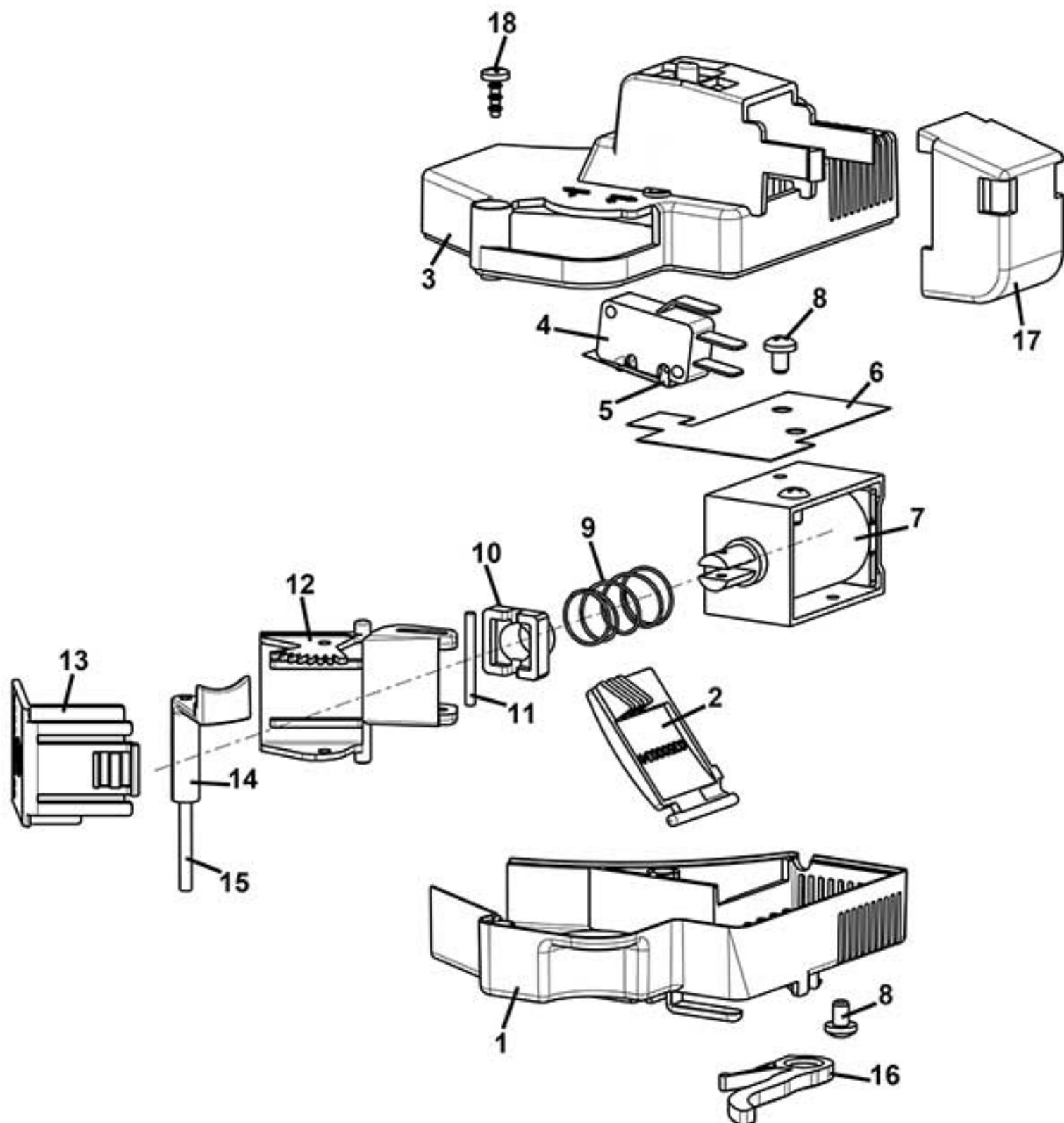


XS GRANDE

XS GRANDE - GRINDER-120V VERSION

Pos. Code	Description
1 0320001603NAR	Å§ MOTOR SUPPORT BLACK+PLUG
2 0320001602NAR	GRINDER BLADES SUPPORT
3 VIT0009325	BEARING
4 0320001608R	Å§ WHEEL+SHAFT+MAGNETS
5 0320001629	SPRING
6 0320001625	BUSH
7 0320001704	GRINDER ROTATION PIN REINFORCED
8 0320001636	EJECTOR
9 VIT0000121	SCREW COUNT FLAT HEAD M3X8
10 0320001620	CONIC MILL
11 0320001642	LOWER GRINDER FIXING NUT
13 0320001643	SPRING D.4X15X0,6
14 0320001624	REGULATION PIN
15 0320001605NAR	Å§ REGULATION RING NUT BLACK
16 0320001635NA	GRINDER SUPPORT BLACK
17 GUA0000124	OR 2137
18 0320001622	UPPER GRINDER FIXING
19 VIT0002469	SCREW HEAD TAP M3.5X10
20 0320001666	SPACER D.4x7x2
21 VIT0003103	SPRING WASHER 4,3
22 0320001607NA	DUCT BLACK
23 VIT0002469	SCREW HEAD TAP M3.5X10
24 0320001604NA	PLUG BLACK
25 SCH0009360	ENCODER BOARD
26 0320001616NA	SENSOR SUPPORT (BLACK)
27 VIT0002032	SCREW TCB 2,2X4,5
28 0090003048	GRINDER MOTOR 120V
29 VIT0000013	SCREW HEAD TAP CAP M4X12
30 VIT0003103	SPRING WASHER 4,3
31 0320001658NA	COFFEE POWDER CHUTE SHORT
32 0320001615NA	GRINDER SENSOR COVER BLACK
33 0320001628	NO-VIBRATION BUSH
34 VIT0000013	SCREW HEAD TAP CAP M4X12
101 0320001601CLB	Å§ GRINDER BLACK 15Å° 120V From pos. 1 to pos. 32

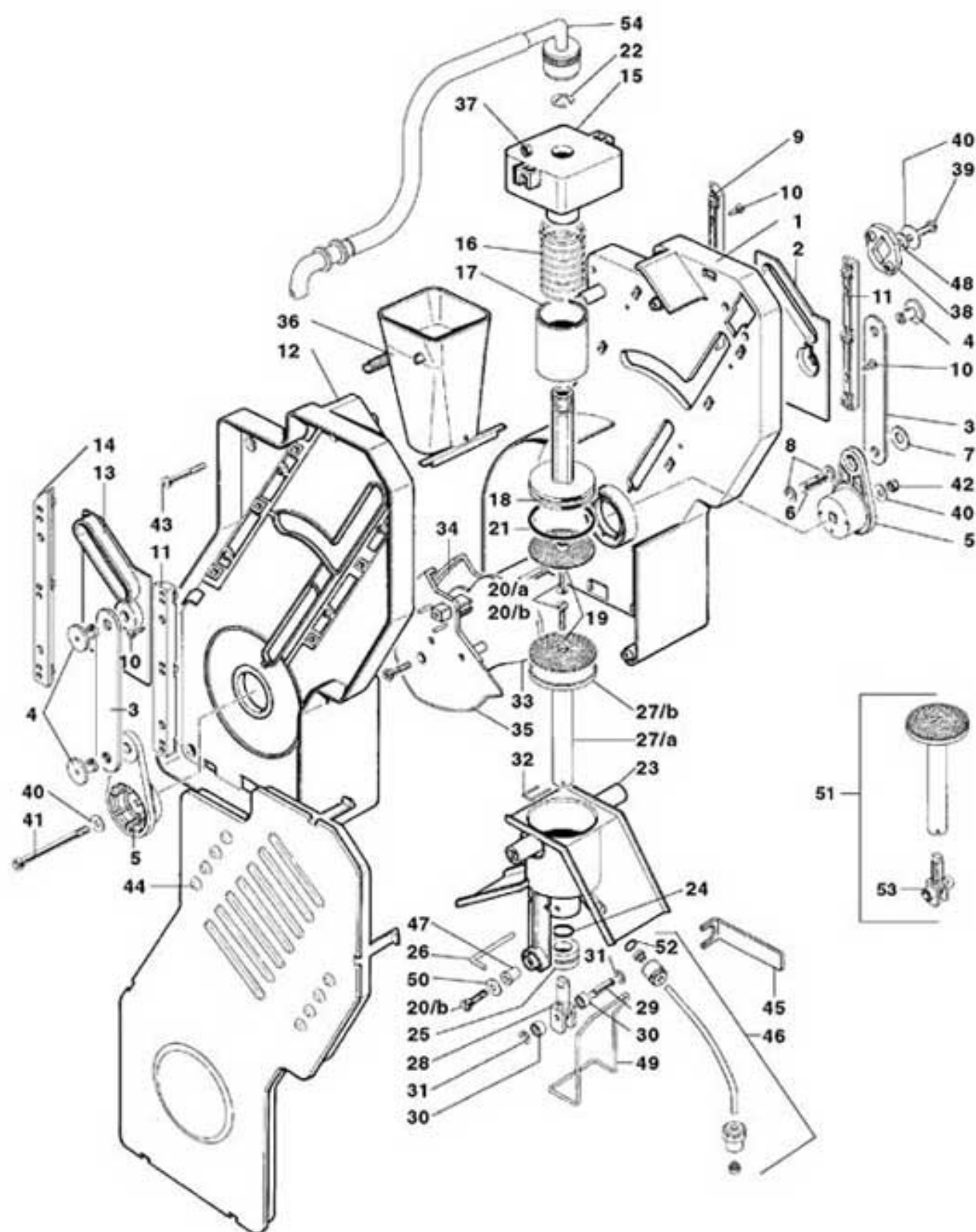
XS GRANDE - plastic batcher with setting



XS GRANDE

XS GRANDE - plastic batcher with setting

Pos. Code	Description
1 0350003406AHR	Â§ LOWER AND UPPER COVER RAL9003 Pos.1+3
2 0350003411	TAB
0350003411AH	TAB RAL 9003 SIGNAL WHITE
3 0350003406AHR	Â§ LOWER AND UPPER COVER RAL9003 Pos.1+3
4 ELE0001522	MICROSWITCH
5 ELE0001906	MICROSWITCH LEVER
6 0350003419	MICRO COVER
7 ELE0000063	ELECTROMAGNET 8% 24V DC
8 VIT0000021	SCREW HEAD TAP CAP M4X6
9 0350003412	DOZER SPRING
10 0350003417	SPRING FLANGE
0350003417AH	SPRING FLANGE RAL 9003 SIGNAL WHITE
11 VIT0005212	DOWEL PIN 2.5X24
12 0350003408	BALANCING
0350003408AH	BALANCING RAL 9003 SIGNAL WHITE
13 0350003409	REGULATION
0350003409AH	REGULATION RAL 9003 SIGNAL WHITE
14 0350003414	REGULATION LEVER
0350003414AH	REGULATION LEVER RAL 9003 SIGNAL WHITE
15 VIT0005219	DOWEL PIN 3X30
16 0350003416	LEVER RELEASE BATCHER
0350003416AH	LEVER RELEASE BATCHER RAL 9003 SIGNAL WHITE
17 0350003415	MICRO CABLES PROTECTION
0350003415AH	MICRO CABLES PROTECTION RAL 9003 SIGNAL WHITE
18 VIT0002469	SCREW HEAD TAP M3.5X10
100 0350003400CL	Â§ BATCHER 24V DC

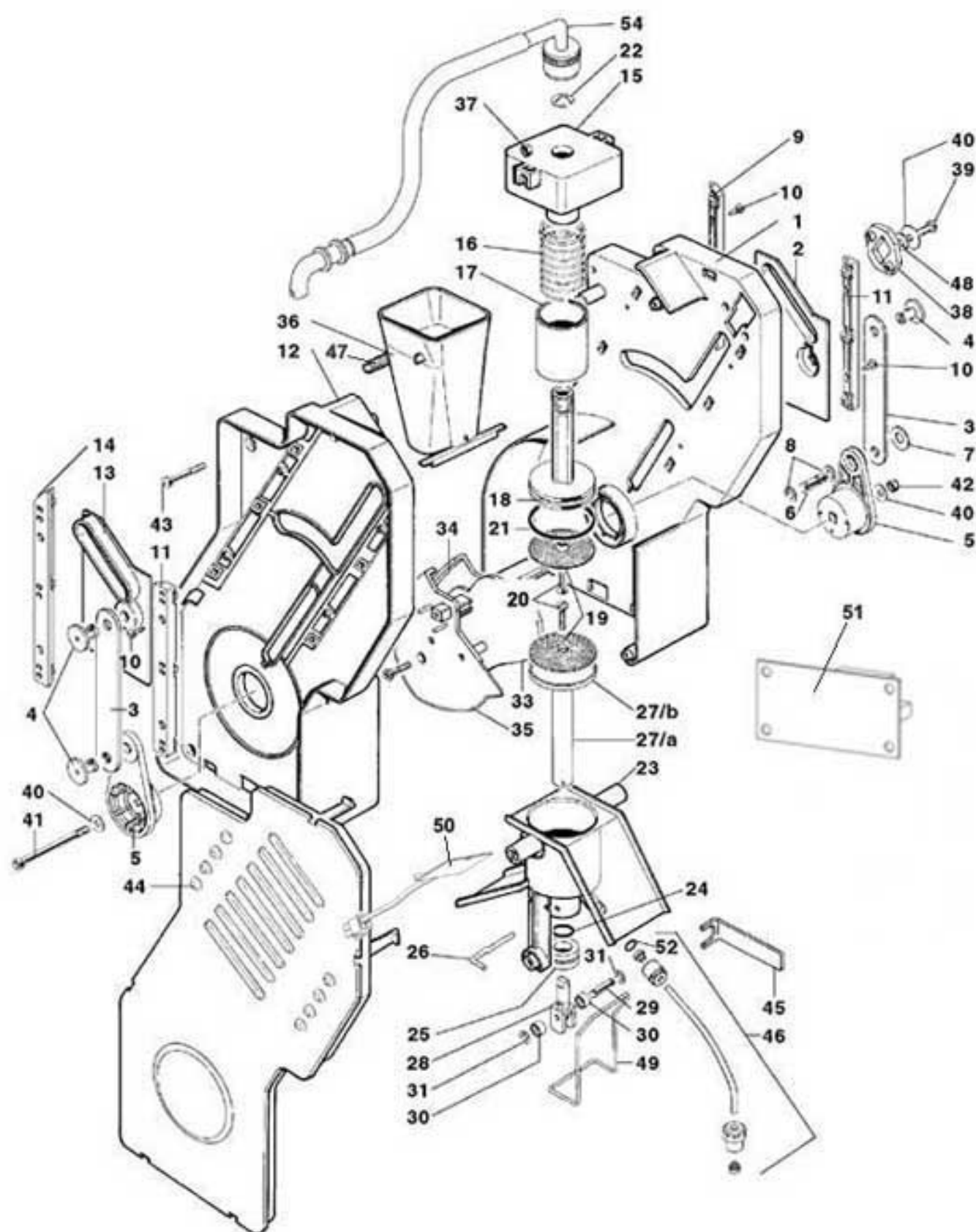


XS GRANDE

XS GRANDE - micro coffee group

Pos. Code	Description
1	0250008005R AS MICRO BREWER COVERS-L.H+R.H
2	0250008084 INFUSION CHAMBER CAM-RIGHT
3	0250008009 CONNECTING ROD
4	0250008028 CONNECTING ROD PIN
5	0250008011 RIGHT CRANK
6	0250008014 PIN
7	0250008042 ANTIVIBRATION WASHER
8	VIT0006515 RING 5
9	0250008031 REAR RIGHT GUIDE
10	VIT0002026 SCREW ST HEAD CAP M3.5X6.5
11	0250008033 FRONTAL GUIDE
12	0250008005R AS MICRO BREWER COVERS-L.H+R.H
13	0250008085 INFUSION CHAMBER CAM-LEFT
14	0250008032 REAR LEFT GUIDE
15	0250008086 UPPER FILTER SUPPORT
16	0250008024 UPPER FILTER SPRING
17	0250008087 SPRING COVER PIPE
18/a	0250008026R AS UPPER COFFEE FILTER D.36 For Coffee beans group D. 36 (Pos.18/a+19/a+21/a+20)
18/b	0250008208R AS UPPER COFFEE FILTER D.40 For Coffee beans group D. 40 --- (Pos. 18/b+19/b+21/b+20)
19/a	0250008099 COFFEE FILTER For Coffee beans group D. 36
19/b	0250008211 COFFEE FILTER D.37.3 For Coffee beans group D. 40
20	VIT0000121 SCREW COUNT FLAT HEAD M3X8
21/a	GUA0000080 OR 4112 SILICON For Coffee beans group D. 36
21/b	GUA0000097 OR 4131 SILICON For Coffee beans group D. 40
22	VIT0006513 RING 8
23/a	0250008046R AS BREWER INFUSION CHAMBER For Coffee beans group D. 36
23/b	0250008206R AS LOWER COFFEE FILTER D.40 For Coffee beans group D. 40
24	GUA0000065 OR 112 SILICON
25	0250008053 LOWER INLET CUP BUSH
26	0250008029 FUNNEL PIN
27/a	0250008108 LOWER FILTER SHAFT
27/b	0250008122 COFFEE FILTER LOW 36 For Coffee beans group D. 36
27/c	0250008209IC LOWER COFFEE FILTER D.40 For Coffee beans group D. 40
28	0250008106 BEARING SUPPORT
29	0250008021 BEARING SHAFT
30	0250008022 BEARING
31	VIT0006517 RING 3.2
33	0250008083 CAM
34	0250008016 CAM
35	0250008017 CAM
36	0250008036 COFFEE FUNNEL
37	VIT0004803 NUT M4
38	0250008035 SETTING PLATE
39	VIT0000032 SCREW HEAD TAP CAP M4X8
40	VIT0003309 WASHER4,3X16X1,5
41	VIT0005523 SCREW HEX HEAD REC TAP M4X60
42	VIT0004810 NUT M4
43	VIT0002461 SCREW HEAD TAP M4.2X26
44/a	0250008039CM MICRO BREWER COVER-L.H RAL9006 For Coffee beans group D. 36
44/b	0250008039IC MICRO BREWER COVER-L.H RAL2011 For Coffee beans group D. 40
45	0250008048 KEY FOR NUT
46	0250008110CL AS WATER INLET PIPE
47	VIT0009203 INSERT
48	VIT0003451 SPRING WASHER 4,2
50	0250008088 WASHER
51	0250008109R AS LOW COFFEE FILTER D.36+BEAR.
52	GUA0000061 OR 2010 VITON
53	0250008107R BEARING SUPPORT
54	0250008176CL AS COFFEE OUTLET PIPE
100	0250008001R COFFEE BREWER MICRO D.36 For Coffee beans group D. 36
101	0250008201R COFFEE BREWER MICRO D.40 For Coffee beans group D. 40
104	0250008108R AS LOWER COFFEE FILTER D.36
105	0250008209R AS LOWER COFFEE FILTER D.40
106	0250008210R AS LOW COFFEE FILTER D.40+BEAR.

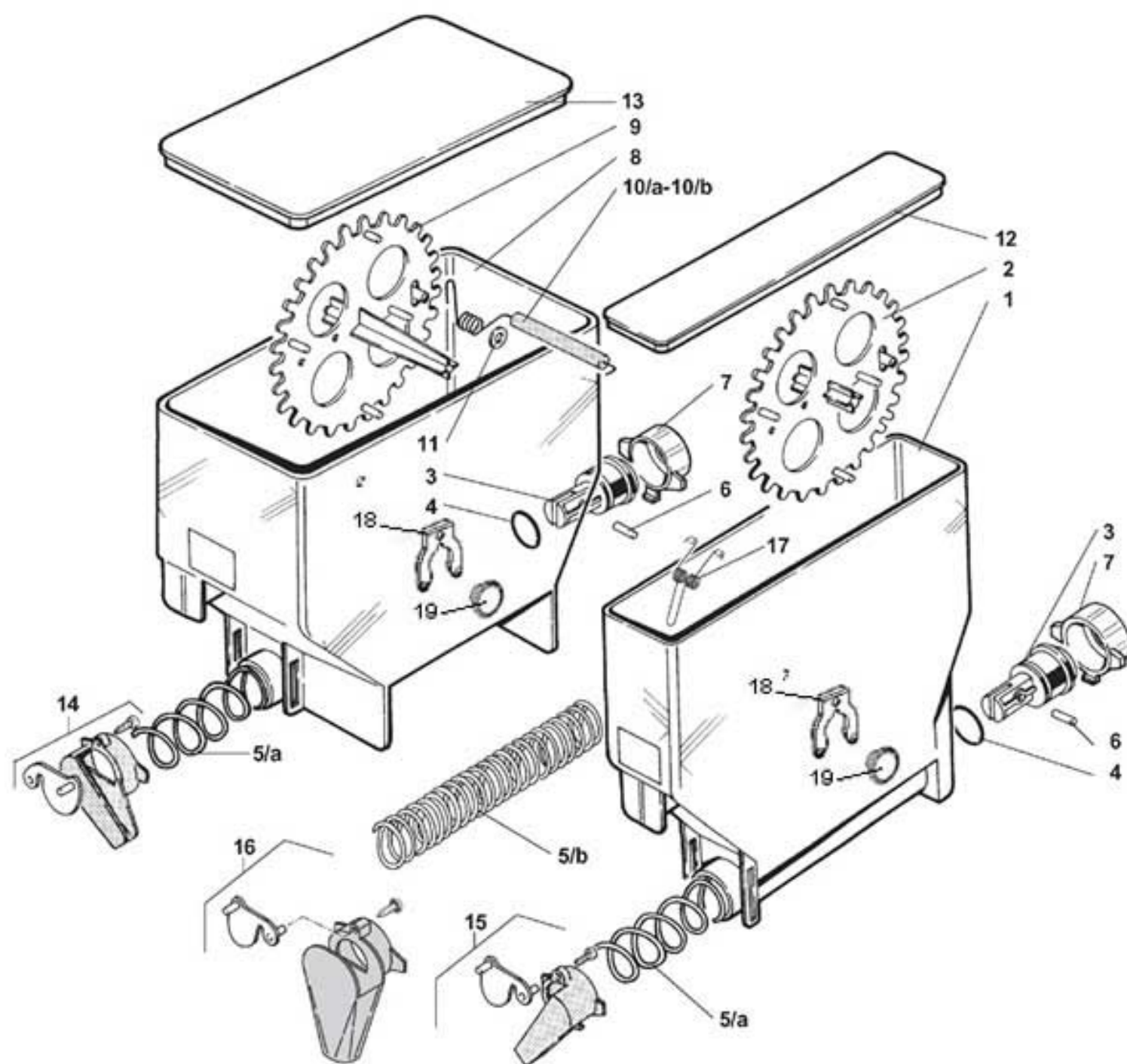
XS GRANDE - heated micro coffee group



XS GRANDE

XS GRANDE - heated micro coffee group

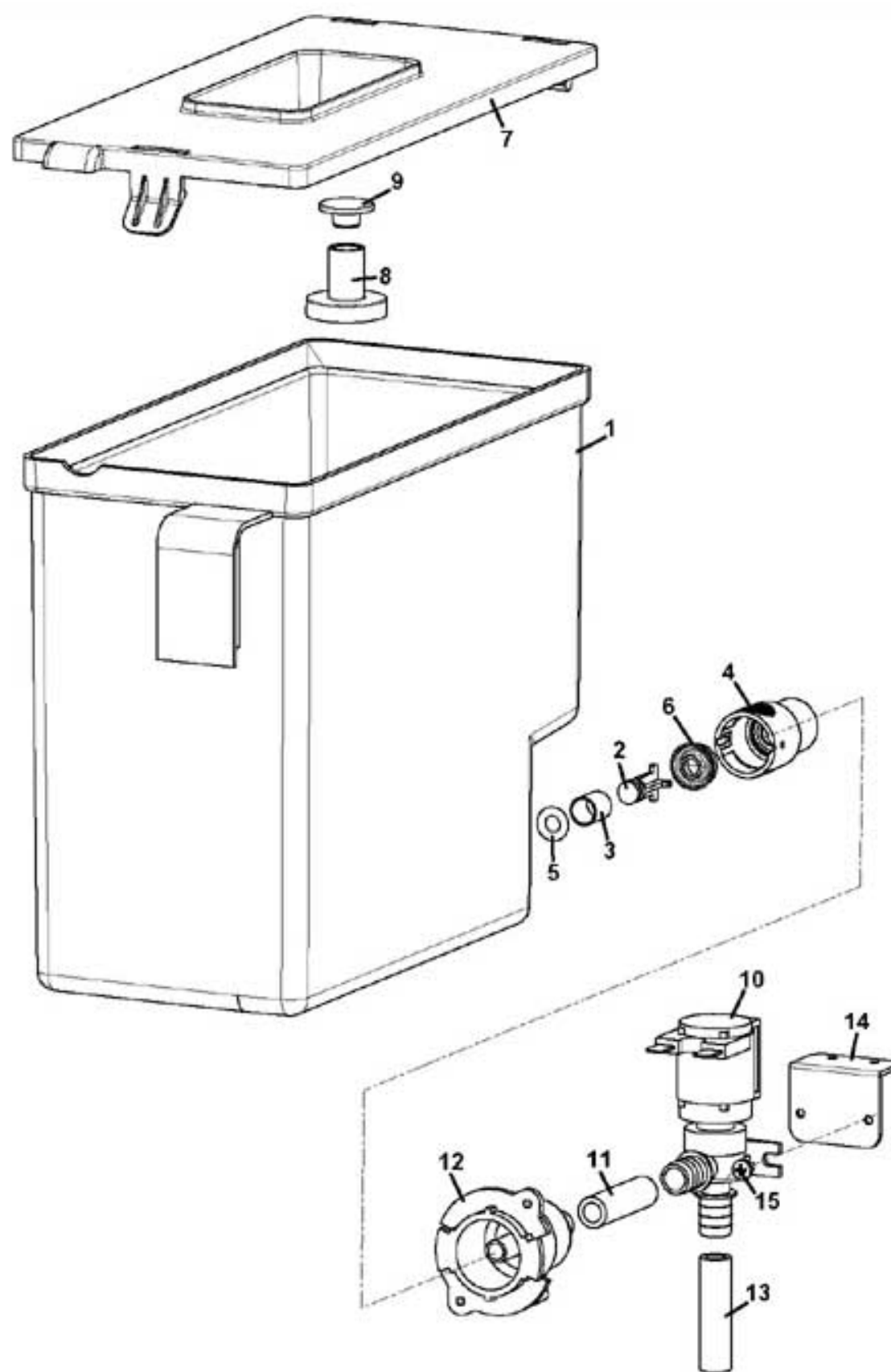
Pos. Code	Description
1	0250008005R AS MICRO BREWER COVERS-L.H+R.H
2	0250008084 INFUSION CHAMBER CAM-RIGHT
3	0250008009 CONNECTING ROD
4	0250008028 CONNECTING ROD PIN
5	0250008011 RIGHT CRANK
6	0250008014 PIN
7	0250008042 ANTIVIBRATION WASHER
8	VIT0006515 RING 5
9	0250008031 REAR RIGHT GUIDE
10	VIT0002026 SCREW ST HEAD CAP M3.5X6.5
11	0250008033 FRONTAL GUIDE
12	0250008005R AS MICRO BREWER COVERS-L.H+R.H
13	0250008085 INFUSION CHAMBER CAM-LEFT
14	0250008032 REAR LEFT GUIDE
15	0250008086 UPPER FILTER SUPPORT
16	0250008024 UPPER FILTER SPRING
17	0250008087 SPRING COVER PIPE
18	0250008226R AS UPPER COFFEE FILTER D 36 For Coffee beans group D. 36 (From pos.18 to pos.21)
19	0250008019 COFFEE FILTER
20	VIT0000121 SCREW COUNT FLAT HEAD M3X8
21	GUA0000080 OR 4112 SILICON
22	VIT0006513 RING 8
23	0250008215R1 BREWER CHAMBER
24	GUA0000065 OR 112 SILICON
25	0250008053 LOWER INLET CUP BUSH
26	0250008029 FUNNEL PIN
27/a	0250008108 LOWER FILTER SHAFT
27/b	0250008122 COFFEE FILTER LOW 36
28	0250008226 ROLL SUPPORT
29	0250008021 BEARING SHAFT
30	0250008022 BEARING
31	VIT0006517 RING 3.2
33	0250008083 CAM
34	0250008016 CAM
35	0250008017 CAM
36	0250008036 COFFEE FUNNEL
37	VIT0004803 NUT M4
38	0250008035 SETTING PLATE
39	VIT0000032 SCREW HEAD TAP CAP M4X8
40	VIT0003309 WASHER4.3X16X1.5
41	VIT0005523 SCREW HEX HEAD REC TAP M4X60
42	VIT0004810 NUT M4
43	VIT0002461 SCREW HEAD TAP M4.2X26
44	0250008039CM MICRO BREWER COVER-L.H RAL9006
45	0250008048 KEY FOR NUT
46	0250008110CL AS WATER INLET PIPE
47	0250008119 SPRING
48	VIT0003451 SPRING WASHER 4.2
50	0250008213R AS HEATING ELEMENT
51	SCH0006880 HEATING ELEMENT BOARD
52	GUA0000061 OR 2010 VITON
54	0250008070CL AS COFFEE OUTLET PIPE
100	0250008220R COFFEE BREWER MICRO D.36
101	0250008227R AS BEARING SUPPORT (Pos. 28-29-30-31)
102	0250008228R AS LOW COFFEE FILTER D.36+BEAR.



XS GRANDE

XS GRANDE - products container

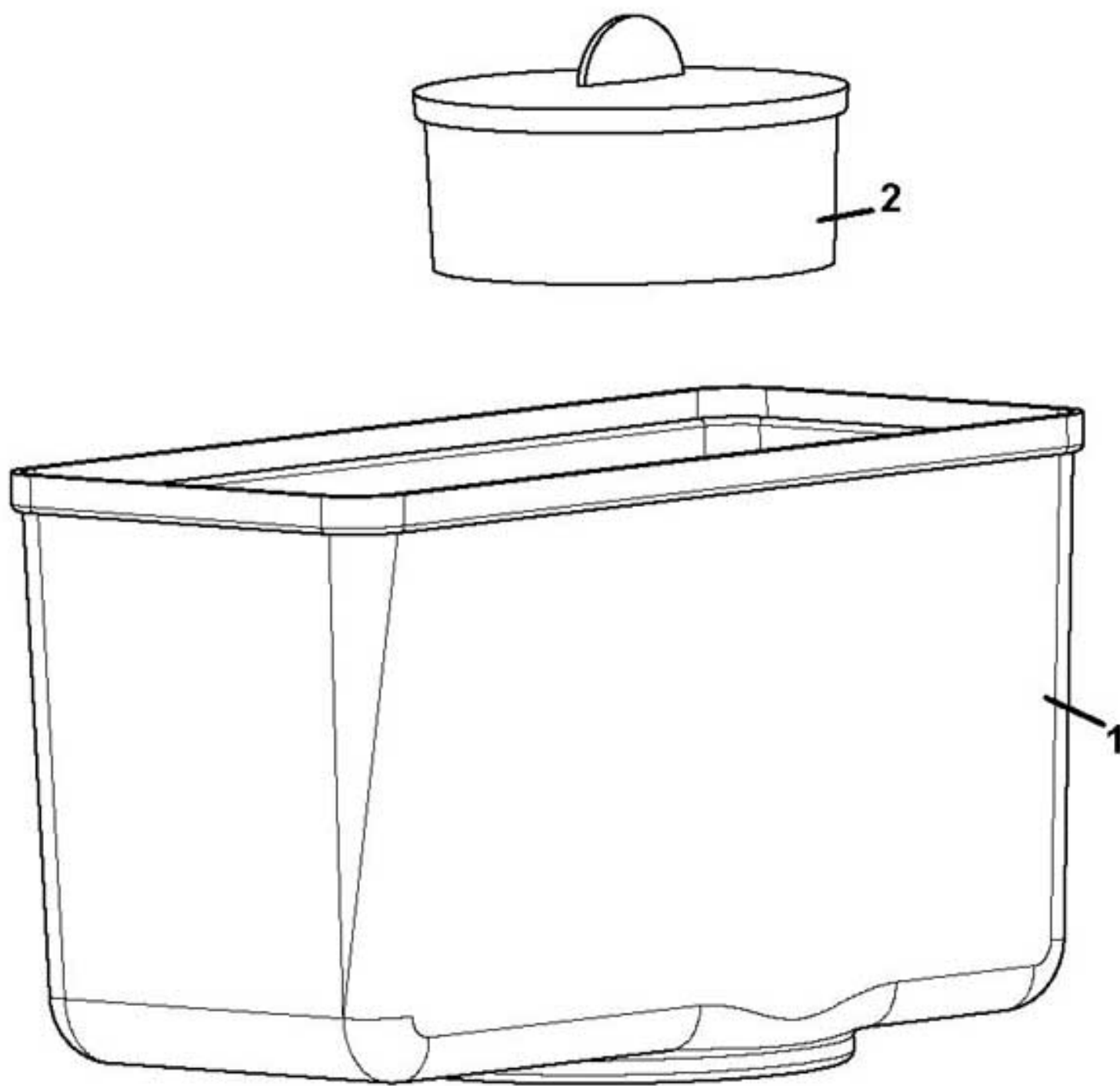
Pos. Code	Description
1 0230030500	INGREDIENT CANISTER 54 190
2 0230030236AB	WHEEL (PLASTIC)
3 0230030012	SPIRAL PIN
4 GUA0000083	OR 123
5/a 0230030014	SPIRAL 18
5/b 0230030013	SPIRAL 9
6 VIT0005106	SPRING PIN 2X14
7 0230030011	REAR BUSH
8 0230030520	INGREDIENT CANISTER 110-190
9 0230030237AB	DOUBLE WHEEL (PLASTIC)
10/a 0230030064	AGITATOR 112-RIGHT OUTLET
10/b 0230030062	PRODUCT AGITATOR 112-LEFT
11 VIT0003210	WASHER 8,4X16X1,6
12 0230030156	CANISTER 54 LID
13 0230030158	CANISTER 110 LID
14/a 0230030058R	Â§ INGRED. CHUTE-RIGHT ORANGE
14/b 0230030044R	Â§ INGREDIENT CHUTE-RIGHT RED
15/a 0230030057R	Â§ INGREDIENT CHUTE-LEFT ORANGE
15/b 0230030043R	Â§ INGREDIENT CHUTE-LEFT RED
16 0230030059R	Â§ INGRED. CHUTE-FRONTALORANGE
17 0230030060-04	ANTIBRIDGING
18 0230030239	WHEEL PIN FORK
19 0230030238	WHEEL PIN
100 0230030522R	Â§ CAN. 110-190 AGIT.18 W/LID-R
101 0230030525R	Â§ CAN. 110-190 AGIT.18 W/LID-L
102 0230030506R	Â§ CANIS. 54-190 WHEEL18 W/LID
103 0230030502R	Â§ CANIS. 54-190 WHEEL9 W/LID
104 0230030503R	Â§ CANIS. 54-190 AGITATPR9 W/LID



XS GRANDE

XS GRANDE - h2o tank

Pos. Code	Description
1 0800012005PF	WATER TANK
2 0800012009	WATER TANK CLOSING PIN
3 0800012012	PIN SPRING
4 0800012008	TANK HOLDER
5 GUA0000082	SILOCONE GASKET D.6
6 GUA0002008	SILICON GASKET DE 062
7 0800012027	H2O TANK LID
8 0020037046	WASTE FLOAT RAL 3020
9 0020037045	WASTE FLOAT RAL 9005
10 0110001103	VALVE 2W 24V DC
11 TSIL07/11T	SILICON HOSE 7X11
12 0800012015	WATER TANK CONNECTOR
13 TSIL06/11T	SILICON HOSE 6X11
14 0110001118	VALVE BRACKET
15 VIT0002009	SCREW ST HEAD CAP M3.5X6.5
100 0800012011CL	Å§ WATER TANK+LID (from pos.1 to pos.9)
101 0110001103CL	Å§ VALVE From pos.10 to pos. 15

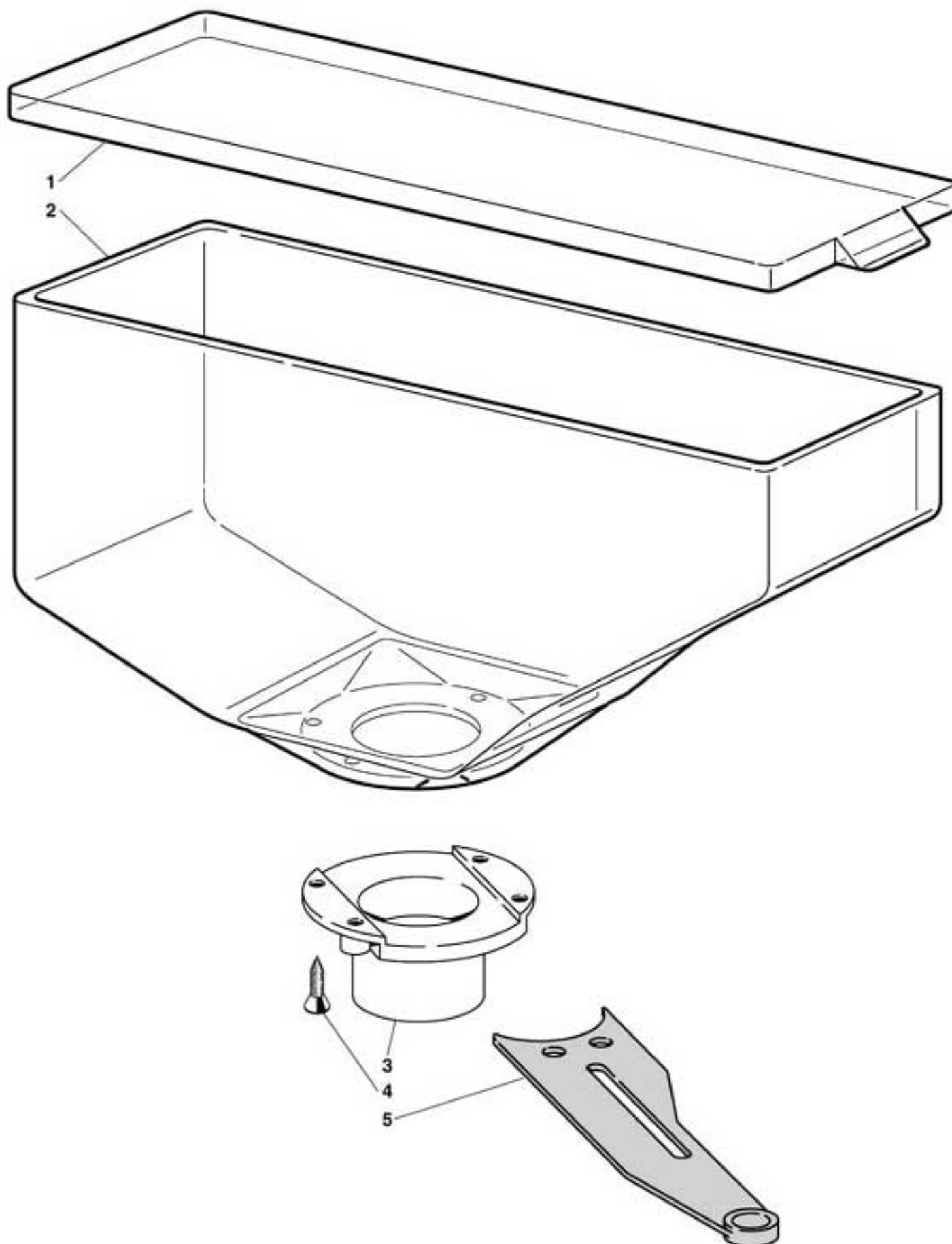


XS GRANDE

XS GRANDE - BRITA FILTER

Pos. Code	Description
1 0800012018	BRITA FILTER SUPPORT
2 0060001010	BRITA AQUAAROMA 180/200 FILTER

XS GRANDE - coffee beans container



XS GRANDE

XS GRANDE - coffee beans container

Pos. Code	Description
1 0230015159	COFFEE BEANS HOPPER LID
2 0230015158	COFFEE BEANS HOPPER
3 0230015066NA	COFFEE BEANS HOPPER STOPPER
4 VIT0002114	SCREW COUNT FLAT HEAD M3.5X16
5 0230015207IC	COFFEE BEANS HOPPER STOPPER
100 0230015158R	Å§ COFFEE BEANS HOPPER

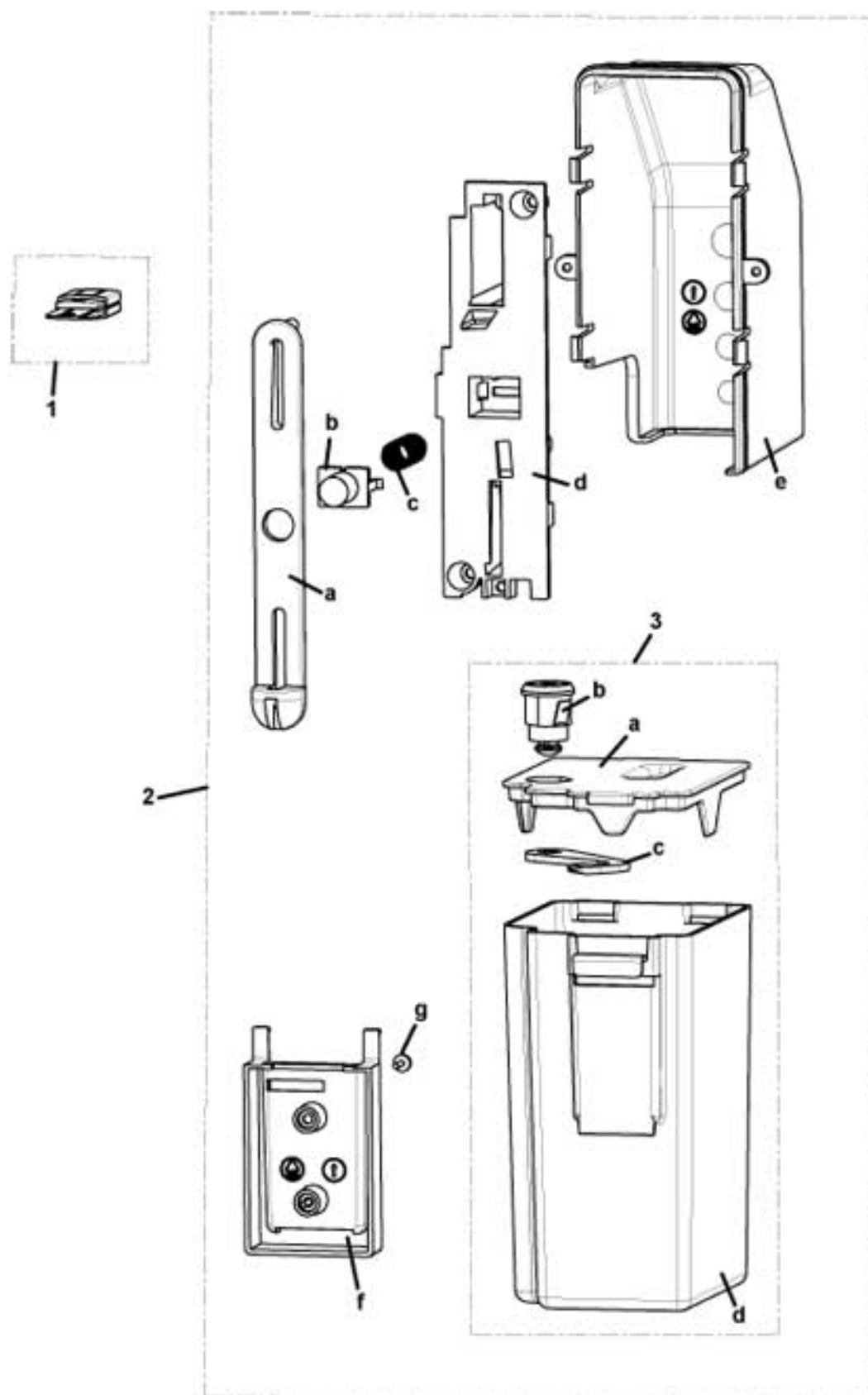


XS GRANDE

XS GRANDE - coffee beans container-120V VERSIONE

Pos. Code	Description
1 0230015158	COFFEE BEANS HOPPER
2 0230015231	COFFEE BEANS HOPPER ADAPTER
3 0230015224IC	COFFEE BEANS HOPPER STOPPER
4 VIT0002114	SCREW COUNT FLAT HEAD M3.5X16
5 0230015227TR	GRINDER COVER
6 0230015159	COFFEE BEANS HOPPER LID
100 0230015232CL4	Â§ COFFEE BEANS HOPPER

XS GRANDE - OPTIONAL KIT



XS GRANDE

XS GRANDE - OPTIONAL KIT

Pos. Code	Description
1 0020040310CL	Å§ FLASH MEMORY
2 D2109600A0000	KIT W/FIT W/O MECH XS08 9005
2/a 0020035031	RED COIN BOX tab 153154
0020035031CF	RED COIN BOX tab 153154 ANTHRACITE GRAY RAL 7016
0020035031CG	RED COIN BOX tab 153154 LIGHT GREY RAL 7035
0020035031CM	RED COIN BOX tab 153154 MERCEDES GREY RAL 9006
0020035031EC	RED COIN BOX tab 153154 BROWN RAL 8022
0020035031KB	RED COIN BOX tab 153154 BRICK RED 153154
0020035031NA	RED COIN BOX tab 153154 BLACK
2/b 0020035033	COIN RETURN BUTTON
0020035033CM	COIN RETURN BUTTON MERCEDES GREY RAL 9006
0020035033EC	COIN RETURN BUTTON BROWN RAL 8022
0020035033KA	COIN RETURN BUTTON SIGNAL RED RAL 3020
0020035033KB	COIN RETURN BUTTON BRICK RED 153154
0020035033NA	COIN RETURN BUTTON BLACK
2/c 0020035034	COIN RETURN BUTTON SPRING
2/d 0020035032	COIN MECHANISM SUPPORT
0020035032NA	COIN MECHANISM SUPPORT BLACK
2/e 0020039510	COIN BOX PROTECTION
0020039510IC	COIN BOX PROTECTION ORANGE RAL 2011
0020039510NA	COIN BOX PROTECTION BLACK
2/f 0020039528	COIN BOX SUPPORT
0020039528IC	COIN BOX SUPPORT ORANGE RAL 2011
0020039528NA	COIN BOX SUPPORT BLACK
2/g VIT0002452	SCREW HEAD TAP M3.5X12
3 0020039525R	Å§ COIN BOX
3/a 0020039527	COIN BOX COVER
0020039527NA	COIN BOX COVER BLACK
3/b SER0000015	LOCK MM20 +KEY 3430
3/c 0020037128	COIN BOX HOOK
3/d 0020039526	COIN BOX
0020039526NA	COIN BOX BLACK