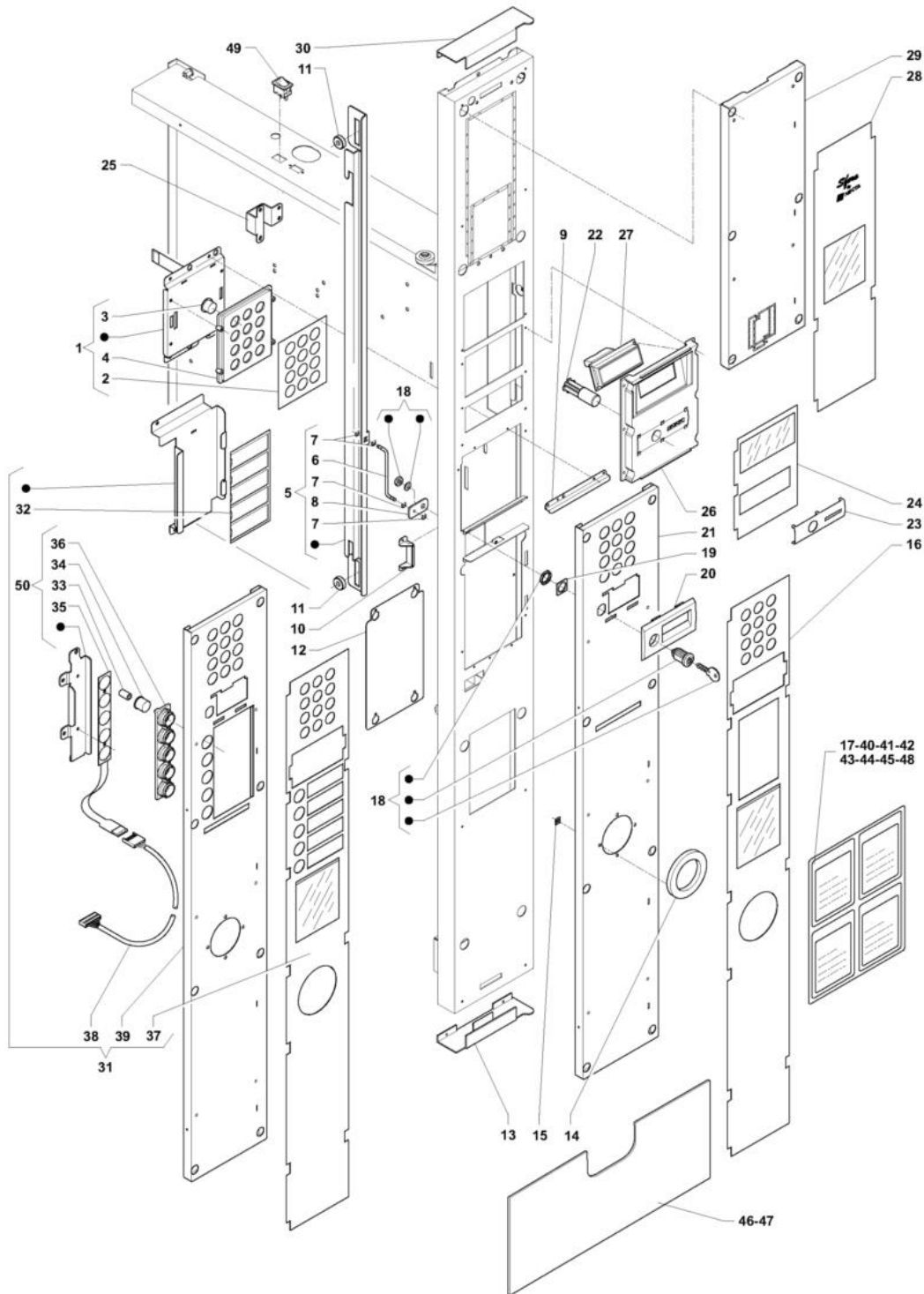




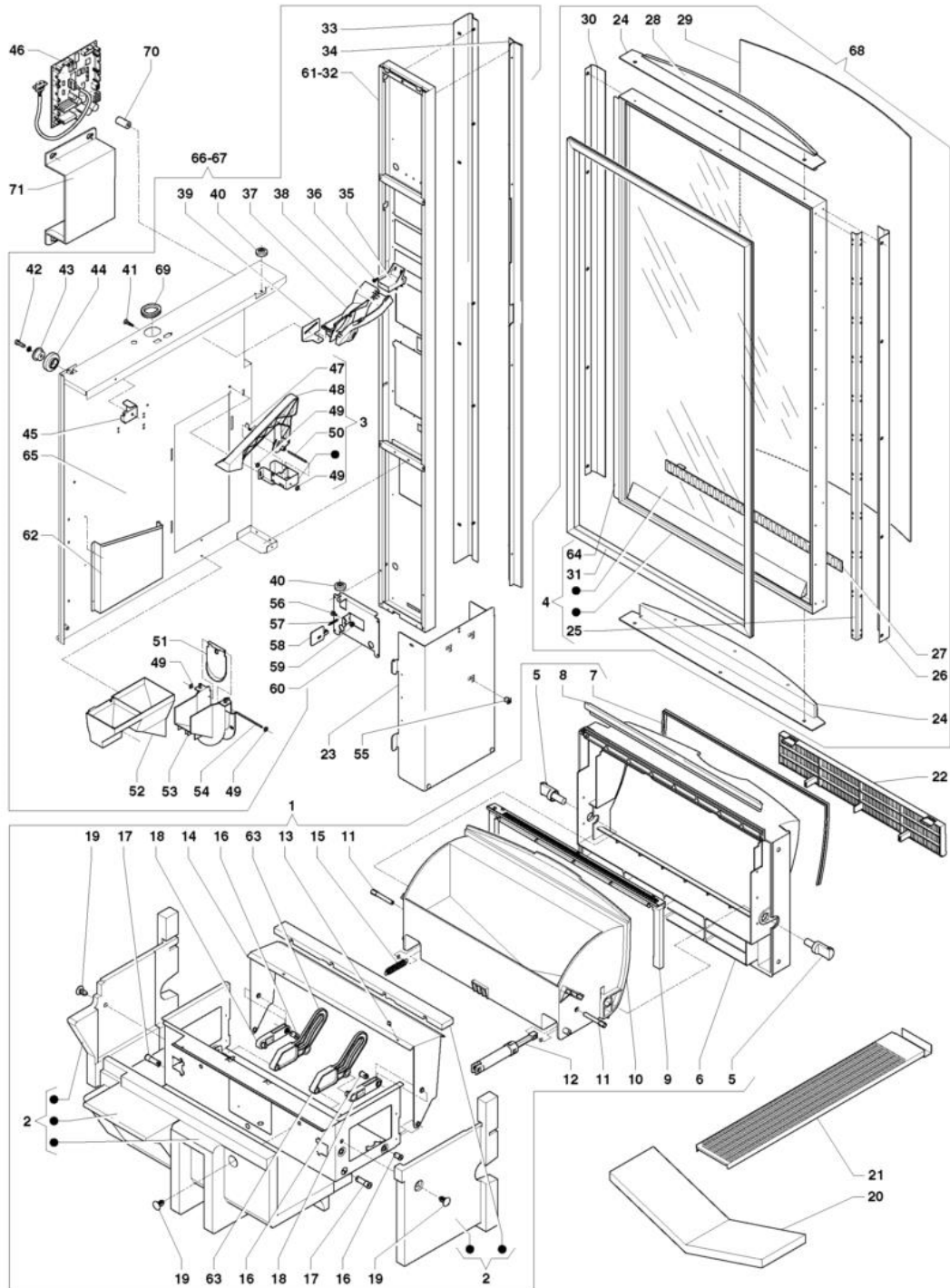
- 1 Door, external side
- 2 Door, internal side
- 3 Block for dispensing compartment
- 4 Cabinet assy
- 5 Electric panel
- 6 Tray and coils
- 7 Cooling unit
- 8 Pin and connectors



posLbl	Item	Description	Price (Eur)
0001	250531	KEYPAD ASSEMBLY	115.20
0002	0V0070	MEMBRANE CONTROL PANEL	42.00
0003	0V4233	SELECTION BUTTONS	22.32
0004	0V4228	MEMBRANE-TYPE PUSH-BUTT.PANEL ELEM.	7.20
0005	250533	CLOSING ROD	96.00
0006	250494	CLOSING PIN	6.24
0007	091287	OUTER FIXING COLLAR	0.13
0008	250487	LATCH BOLT	1.60
0009	250483	PUSH-BUTTON PANEL STRENGTHENING	1.08
0010	250490	LOCK INNER PROTECTION	1.08
0011	0V2047	LOCK ROD SPACER	2.40
0012	250474	CLOSING PIN PROTECTION	5.28
0013	250512	LOWER HEAD EXTENSION	5.52
0014	0V2073	DARK GREY COIN RETURN FRAME	5.52
0015	093829	LEVER LOCK CLIP	0.14
0016	250516	LOWER LABEL	63.60
0017	250555	INSTRUCTIONS PLATE 'I'	10.80
0018	099905	LOCK RIELDA-MOD.503-	34.20
0019	093908	LOCKING POSITION DISK	0.58
0020	250514	HANDLE	6.36
0021	250473	COIN RETURN ELEMENT	34.80
0022	250506	COIN RETURN BUTTON	3.96
0023	250480	COIN INSERT PLATE	6.36
0024	250515	CENTRE LABEL	22.68
0025	251052	UPPER CLOSING BRACKET	6.84
0026	250513	DISPLAY SUPPORT	31.20
0027	251658	DISPLAY 4X20 BLUE-EXCLUSIVE-	87.60
0028	250554	UPPER DOOR LABEL	52.80
0029	250472	PAYMENT ELEMENT	28.80
0030	250511	UPPER HEAD EXTENSION	5.52
0031	250747	DIRECT KEYBOARD KIT	258.00
0032	250780	ADHESIVE LABEL HOLDER	16.20
0033	250159	PUSH-BUTTON ACTUATOR	0.46
0034	0V2071	COIN RETURN BUTTON	2.14
0035	250781	CONTROL PANEL DIRECT SELECTION	55.20
0036	250778	SUPPORT SELECTION KEYS	0.00
0037	250779	COIN RETURN LOWER LABEL	58.80
0038	250741	KEY-BOARD WIRING	21.96
0039	250777	COIN RETURN ELEMENT	39.00
0040	250984	INSTRUCTION PLATE 'ENGLISH'	2.28
0041	250985	INSTRUCTION PLATE 'FRENCH'	2.28
0042	250986	INSTRUCTION PLATE 'FLEMISH'	29.40
0043	250983	INSTRUCTION PLATE 'SPANISH'	30.60
0044	251003	INSTRUCTION PLATE -PORTUGUESE-	30.60



posLbl	Item	Description	Price (Eur)
0045	250987	INSTRUCTION PLATE 'GERMAN'	30.60
0046	251246	DISPENSING COMPARTMENT ADHESIVE -SFERA-GNAIGER	0.00
0047	251296	DISPENSING COMPARTMENT ADHESIVE -KIT KAT-	0.00
0048	251297	INSTRUCTION PLATE -POLAND-	29.40
0049	097807	BUTTON	2.88
0050	252492	CONTROL PANEL DIRECT SELECTION	100.80



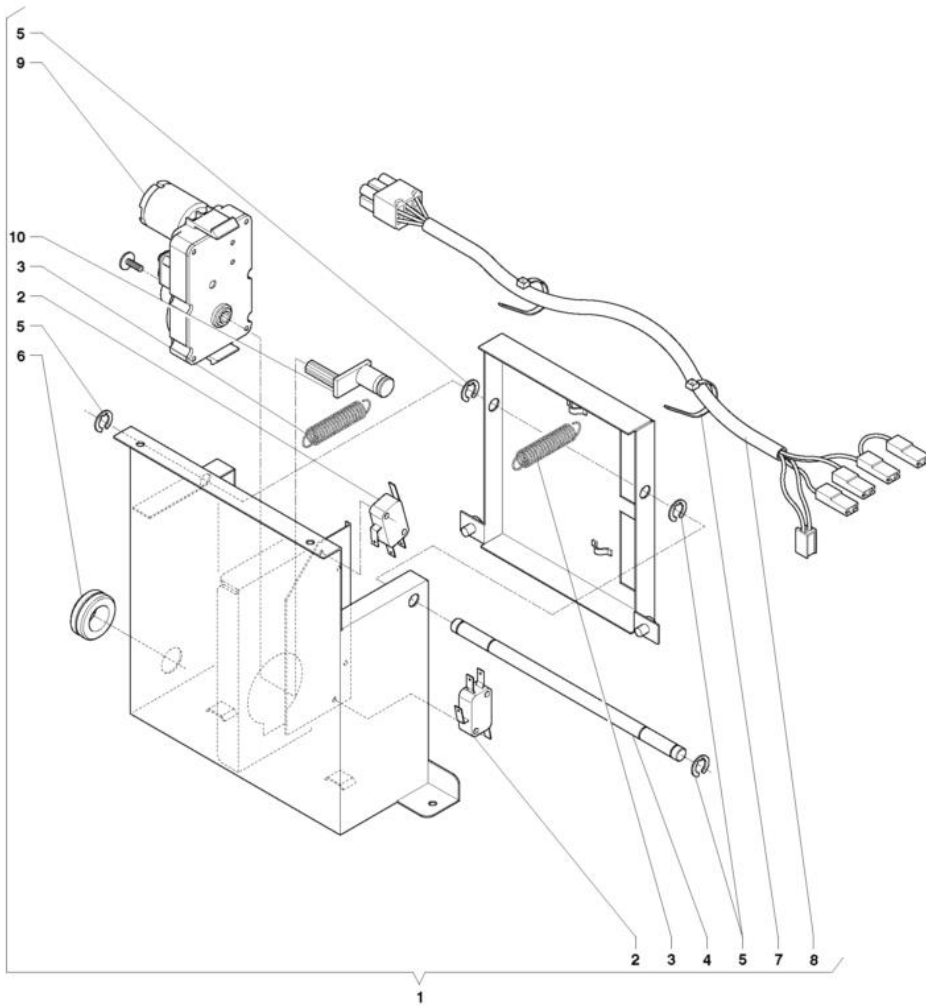


Door, internal side

posLbl	Item	Description	Price (Eur)
0001	250744	DISPENSING COMPARTMENT, ASS.	576.00
0002	250528	DISPENSING COMPARTMENT INSULATION SET	43.20
0003	250532	COIN RETURN DEVICE	43.20
0004	250553	VM WINDOW	530.40
0005	250497	ROTATION BUSH	6.72
0006	250507	OUTER COMPARTMENT MOLDING	98.40
0007	0V3481	SEAL (BY METRE)	6.00
0008	250479	DOOR MAGNET PLATE	20.52
0009	250508	MOLDING INSERT	25.80
0010	250523	DISPENSING COMPARTMENT	194.40
0011	250498	SLOWDOWN DEVICE PIN	3.48
0012	0V3482	SLOWDOWN CYLINDER	18.36
0013	098833	BUFFER	0.07
0014	250477	ANTI-THEFT	43.20
0015	0V3484	COMPARTMENT RETURN SPRING	0.96
0016	0V3474	ANTI-THEFT PIN	1.44
0017	0V3477	CAM PIN	1.60
0018	0V3475	ANTI-THEFT ROD	2.64
0019	0V3583	CLIPS	0.23
0020	251197	DAMPER BEARING -SFERA/RONDO'	27.00
0021	250475	REMOVABLE GRID	43.20
0022	250509	REMOVABLE GRID	30.60
0023	250471	COIN MECH SUPPORT	33.00
0024	250548	DOOR HEAD	27.60
0025	250552	WINDOW HINGE	40.80
0026	250547	LH PROFILE	105.60
0027	250551	10W-24V RESISTANCE	46.80
0028	250549	DOOR HEAD PLUG	18.36
0029	250550	POLYCARBONATE PANEL	276.00
0030	250546	RH PROFILE	98.40
0031	250545	MAGNETIC SEAL	57.60
0032	250534	CONTROL PANEL	144.00
0033	251132	SIDE RIGHT PROFILE	33.60
0034	251131	CENTRAL DOOR PROFILE	38.40
0035	250502	FIXED COIN INTRODUCTION CHUTE	3.12
0036	255034	PLAIN TIP SELF-TAPPING SCREW 4X12	0.06
0037	250505	UPPER COIN INTRODUCTION HALF CHUTE	2.70
0038	250504	LOWER COIN INTRODUCTION HALF CHUTE	2.70
0039	250488	HALF CHUTE ADJUSTING BRACKET	3.18
0040	0V0102	ROLLER	1.39
0041	097175	CARD SPACER	0.22
0042	096682	SCREW 6X18	0.08
0043	0V3439	WHEEL BUSH	4.14
0044	0V3438	WHEEL	2.82



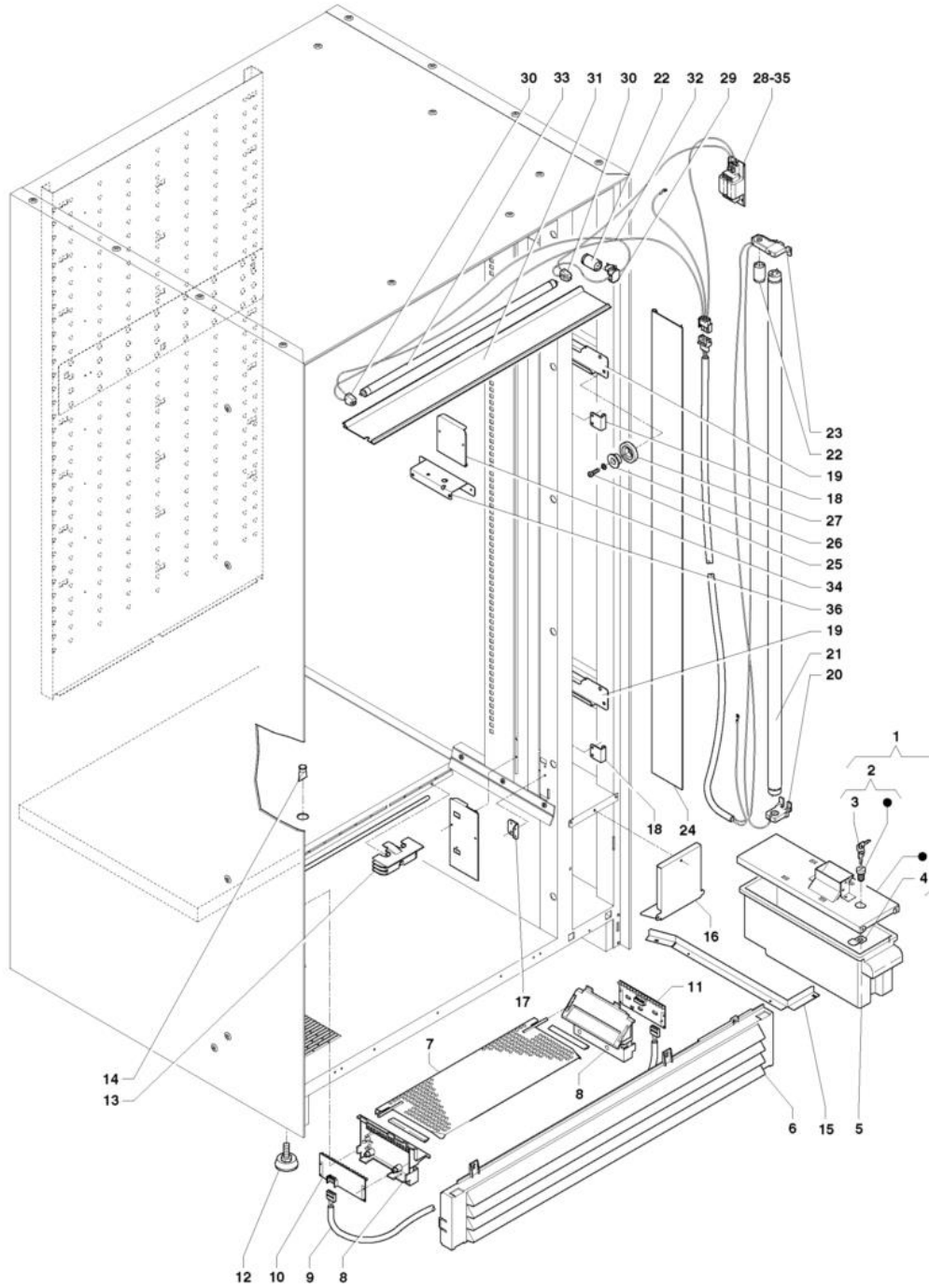
posLbl	Item	Description	Price (Eur)
0045	0V3469	SUPPORTING PLATE STOP	2.21
0046	252436	16 BIT CPU BOARD 4MB	208.80
0047	099356	SPRING FOR CHANGE	0.24
0048	0V3467	COIN RETURN LEVER	6.48
0049	093754	BENZING COLLAR QUICKBLOCK BQ DIAM MM	0.10
0050	099355	CHANGE GIVING PIN	1.74
0051	093890	MONEY RETURN SHUTTER	1.30
0052	250500	COIN RETURN CHUTE	8.52
0053	250008	COIN RETURN - BLACK -	14.40
0054	0V0983	SLIDER PIN	1.01
0055	094111	INSULATING DOLLY BLOCK	0.14
0056	090615	COLLAR SCREW	0.40
0057	093978	SPRING FOR ACTUATOR	0.62
0058	0V1673	MICROSWITCH CONTROL LEVER	3.30
0059	091703	SELF-BLOCKING NUT M4	0.10
0060	250484	DOOR MICRO ACTUATOR SUPPORT	12.00
0061	250782	CONTROL PANEL DIRECT SELECTION	148.80
0062	0V3594	DOCUMENTATION HOLDER	24.00
0063	0V3476	ANTI-THEFT DEVICE CONTROL CAM	4.56
0064	250795	LOCKING PROFILE	24.00
0065	253263	SUPPORT PANEL	136.80
0066	251276	USER INTERFACE - SFERA -	840.00
0067	252169	USER INTERFACE - SFERA LX-	984.00
0068	251545	SFERA CONVEX WINDOW	1,290.00
0069	093916	WHIPPING OVAL	0.34
0070	0V1431	SPACER	0.41
0071	251500	CARD PROTECTION	19.08





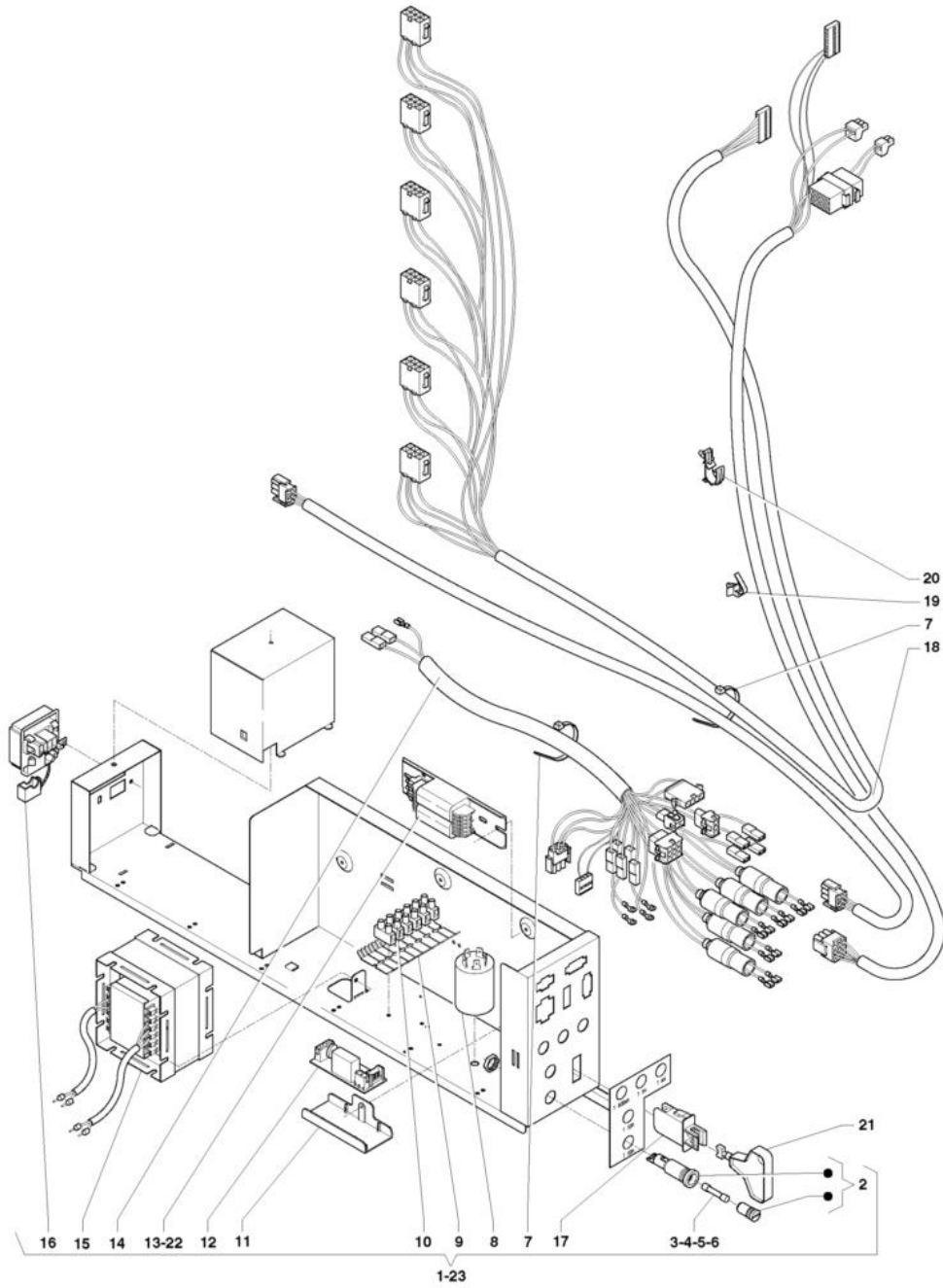
Block for dispensing compartment

posLbl	Item	Description	Price (Eur)
0001	250123	BLOCK FOR DISPENSING COMPARTMENT	146.40
0002	0V1141	MICROSWITCH	2.40
0003	093978	SPRING FOR ACTUATOR	0.62
0004	250117	PIN	2.70
0005	091357	OUTER BENZING COLLAR DIAM MM7	0.05
0006	090020	WHIPPING MM 16	0.78
0007	090148	CLIP	0.05
0008	250118	SLIDER LOCK WIRING	26.40
0009	0V0075	MOTOREDUCER	21.96
0010	250120	HANDLE	33.00



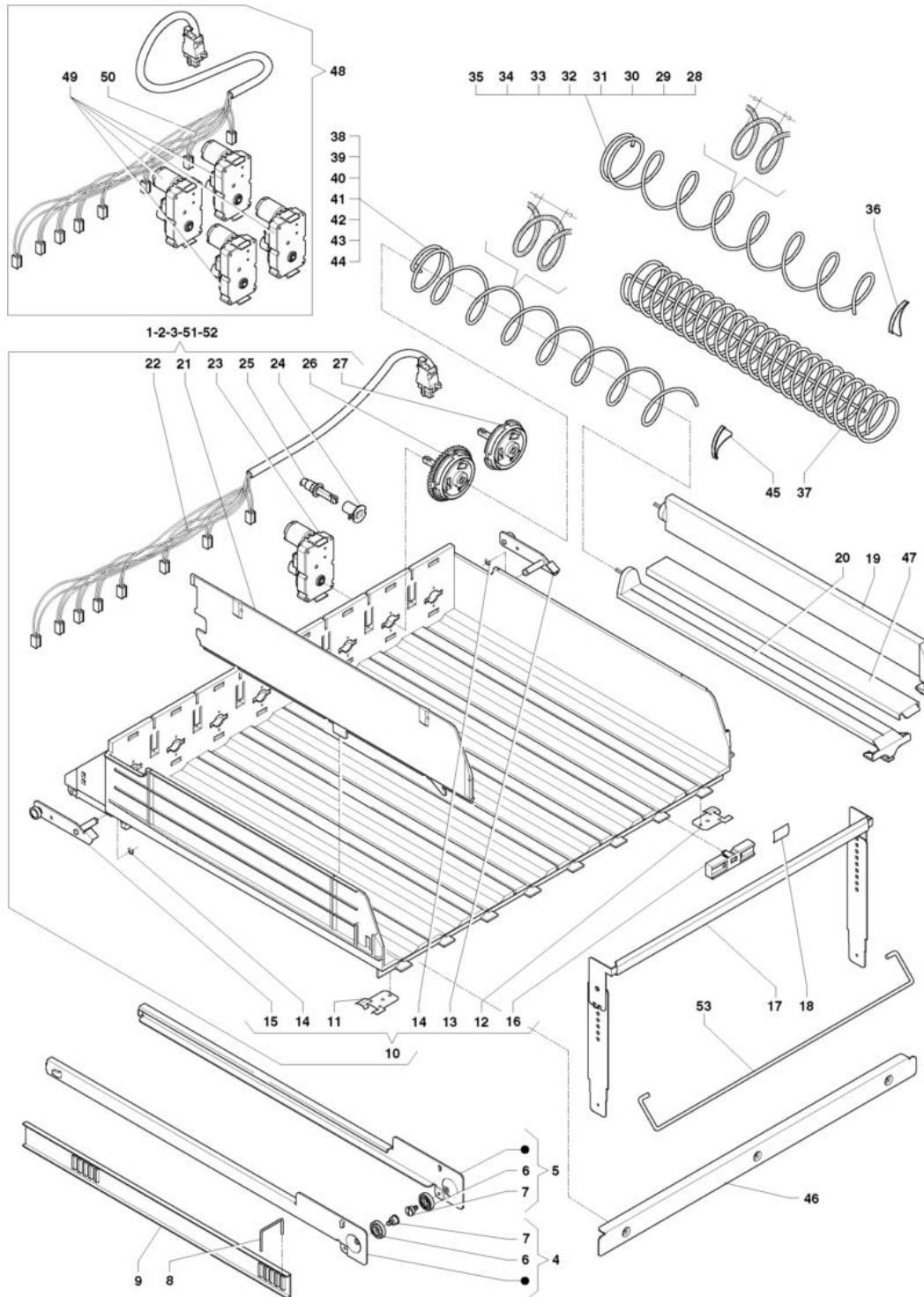


posLbl	Item	Description	Price (Eur)
0001	250649	COIN BOX LID + LOCK	90.00
0002	090861	CYLINDER LOCK TYPE K	34.80
0003	092218	PASSE-PARTOUT LOCK K	5.04
0004	0V3595	LATCH	4.62
0005	250501	COIN BOX	15.48
0006	250510	FEET COVERING	31.80
0007	250478	DOOR PLATE	48.00
0007	254257	PLATE WITH PINS	58.80
0008	0V3581	PRODUCTS DEFLECTOR	8.40
0009	0V3454	PHOTOCELL WIRING	15.12
0010	0V3498	TRANSMITTING PHOTOCELL CARD	62.40
0011	0V3499	RECEIVING PHOTOCELL CARD	85.20
0012	252124	4 FEET KIT	5.76
0013	0V3431	TUBE STOP	5.16
0014	0V0346	DRAIN TUBE	1.88
0015	250481	COIN BOX GUIDE	0.00
0016	250524	CONNECTOR COVERING	11.04
0017	250476	MOLDING SECURING BRACKET	1.44
0018	250489	CLOSING SQUARE	0.76
0019	0V3588	UPPER GUIDE	12.48
0020	099153	LAMP-HOLDER	0.96
0021	985532	NEON LIGHT 36 WATT	6.60
0022	091802	STARTER TYPE S10	2.40
0023	099154	LAMP-HOLDER W/STARTER-HOLDER	1.37
0024	250503	SIDE LAMP PROTECTION	19.44
0025	096682	SCREW 6X18	0.08
0026	0V3439	WHEEL BUSH	4.14
0027	0V3438	WHEEL	2.82
0028	0V1614	BALLAST	10.56
0029	0V1613	STARTER-HOLDER	0.59
0030	0V1612	LAMP HOLDER	0.74
0031	250738	LAMP PROTECTION	8.88
0032	250739	LAMP WIRE	10.32
0033	250740	LAMP	13.68
0034	250482	BALLAST COVERING	8.64
0035	253518	BALLAST EC13240V 50HZ	9.36
0036	251048	WHEEL STRENGTHENING	5.52





posLbl	Item	Description	Price (Eur)
0001	250520	ELECTRICAL PANEL ASSEMBLY	434.40
0002	0V3201	FUSE HOLDER	3.06
0003	0V3170	6,3 AMP FUSE 6,3X32	1.01
0004	098779	FUSE6,3X32 1 AMP	1.78
0005	099778	FUSE 4 A 24V	0.92
0006	097676	FUSE 800 MA	1.99
0007	090148	CLIP	0.05
0008	0V3512	ELECTRICAL NET FILTER	16.92
0009	097242	SUB-TERMINAL BOARD	1.56
0010	253539	12-POLE TERMINAL BOARD	3.54
0011	094849	COVERING-HOLDER	3.30
0012	0V0015	OUT\R CARD	45.60
0013	987367	36-40WATT BALLAST	9.36
0014	250537	ELECTRICAL PANEL WIRING	67.20
0015	0V0014	G49/25-25V TRASFORMER	91.20
0016	098796	TERMINAL BOARD	3.72
0017	097796	SWITCH	11.28
0018	250517	MAIN WIRING	306.00
0019	098165	WIRE-FIXING	0.11
0020	098459	WIRE-CLIP	0.36
0021	0V1654	SWITCH KEY	0.94
0022	252898	240V 50HZ BALLAST -UK-	11.52
0023	253559	ELECTRICAL PANEL 240V	405.60





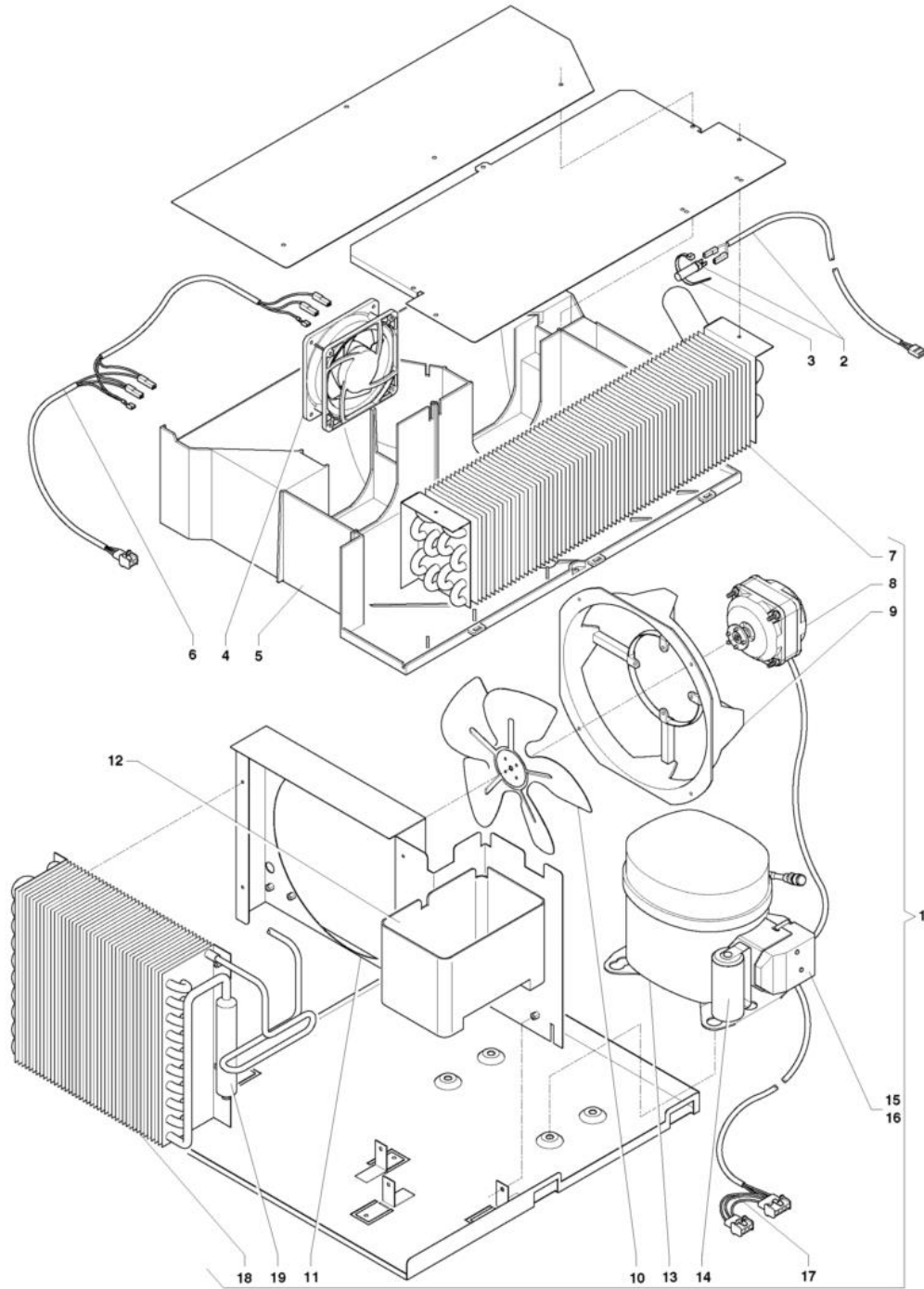
Tray and coils

posLbl	Item	Description	Price (Eur)
0001	250783	TRAY - 2 DOUBLE/4 SINGLE	282.00
0002	250529	4-SELECTION TRAY ASSY.	241.20
0003	250530	8-SELECTION TRAY ASSY.	318.00
0004	250526	LH GUIDE	12.00
0005	250525	RH GUIDE	14.16
0006	250499	GUIDE WHEEL	0.77
0007	250493	GUIDE WHEEL PIN	1.15
0008	0V3510	DRAWER ELEVATION PIN	0.36
0009	0V3509	DRAWER EDGE ELEVATION	3.54
0010	250527	TRAY ASSEMBLY	100.80
0011	250486	LH TRAY STOP SPRING	2.21
0012	250485	RH TRAY STOP SPRING	2.21
0013	250522	RH CONNECTING ROD	5.64
0014	093171	OUTER FIXING COLLAR DIAM MM6	0.05
0015	250521	LH CONNECTING ROD	5.64
0016	0V3493	DRAWER WITH LABEL	1.06
0017	250648	BOTTLE BRIDGE	57.60
0018	0V3504	(Q.ty 80) TRAY LABELS	22.32
0019	0V3505	SPIRAL INSERT 1/2 REV	10.56
0020	0V3497	PRODUCT ELEVATION	7.92
0021	0V3492	DRAWER EDGE	3.54
0022	250518	8-MOTOR DRAWER WIRING	34.20
0023	0V0075	MOTOREDUCER	21.96
0024	0V0080	BUSH FOR PIN	0.78
0025	0V0079	BUSH	0.90
0026	250321	ASSEMBLY FOR DOUBLE SPIRAL	4.20
0027	250320	ASSEMBLY FOR SINGLE SPIRAL	4.44
0028	0V3538	RH SPIRAL, PITCH 40 (11 PRODUCTS)	6.60
0029	0V3537	RH SPIRAL, PITCH 30 (15 PRODUCTS)	6.60
0030	0V3531	RH SPIRAL, PITCH 64 (7 PRODUCTS)	6.60
0031	0V3530	RH SPIRAL, PITCH 46 (10 PRODUCTS)	6.60
0032	0V3529	RH SPIRAL, PITCH 24 (19 PRODUCTS)	6.60
0033	0V3503	RH SPIRAL, PITCH 80 (6 PRODUCTS)	6.60
0034	0V3502	RH SPIRAL, PITCH 34 (13 PRODUCTS)	6.72
0035	0V3500	RH SPIRAL, PITCH 54 (8 PRODUCTS)	6.60
0036	0V0098	RIGHT EJECTOR	0.34
0037	0V3540	RH SPIRAL, PITCH 24 1/2 TURN (19+19 PROD.)	21.60
0038	0V3501	LEFT SPIRAL, PITCH 54 (8 PRODUCTS)	6.60
0039	0V3532	LH SPIRAL, PITCH 24 (19 PRODUCTS)	6.72
0040	0V3533	LH SPIRAL, PITCH 34 (13 PRODUCTS)	6.60
0041	0V3534	LH SPIRAL, PITCH 46 (10 PRODUCTS)	6.60
0042	0V3535	LH SPIRAL, PITCH 64 (7 PRODUCTS)	6.60
0043	0V3536	LH SPIRAL, PITCH 80 (6 PRODUCTS)	6.60
0044	0V3539	LH SPIRAL, PITCH 40 (11 PRODUCTS)	6.60



Tray and coils

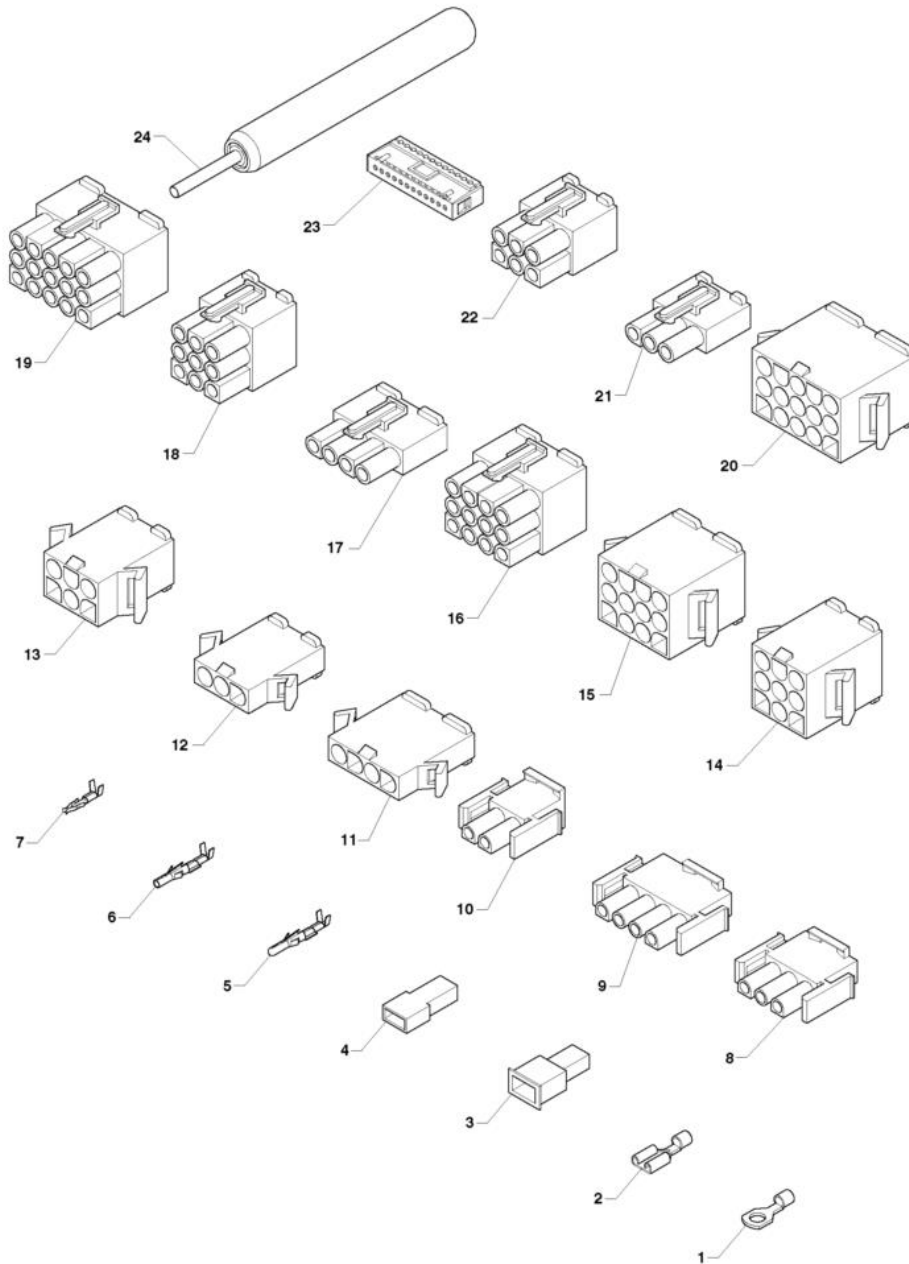
posLbl	Item	Description	Price (Eur)
0044	253625	LEFT SPIRAL,PITCH 30(15 PRODUCTS)	6.60
0045	0V0099	LEFT EJECTOR	0.35
0046	251177	TRAY REINFORCEMENT	7.80
0047	251185	PRODUCT ELEVATION SPACER	9.60
0048	250865	BIDIRECTIONAL DRAWER MOTORS KIT	169.20
0049	0V1838	BIDIRECTIONAL MOTOR	37.20
0050	250866	DRAWER WIRING	48.00
0051	250798	TRAY - 3 DOUBLE/2 SINGLE	300.00
0052	250799	TRAY - 1 DOUBLE/6 SINGLE	312.00
0053	252104	BALANCING BRIDGE	9.24





Cooling unit

posLbl	Item	Description	Price (Eur)
0001	250535	COOLING UNIT	588.00
0002	250612	TEMPERATURE PROBE	10.32
0003	090148	CLIP	0.05
0004	987828	FAN	40.80
0005	250495	CELL TRAY	48.00
0006	250519	EVAPORATOR FAN WIRING	13.20
0007	250544	EVAPORATOR	136.80
0008	254807	ELECTRIC FAN 16WATT 50/60HZ	68.40
0009	250540	FAN CONVEYOR	10.56
0010	250538	230-28° FAN WHEEL	9.36
0011	250539	CONDENSER FAN SHIELD	25.80
0012	250496	CONDENSATE COLLECTION TRAY	8.04
0013	986933	COMPRESSOR GP 14 TB R134	190.80
0014	985075	CAPACITOR	24.00
0015	985074	STARTING RELAY COMPRESSOR	8.04
0016	0V1779	THERMOPROTECTOR COMPRESSOR	6.72
0017	251719	COMPRESSOR WIRING	33.00
0018	250543	CONDENSER	169.20
0019	250542	DEHYDRATOR FILTER	92.40





posLbl	Item	Description	Price (Eur)
0001	090957	EYELET TERMINAL	0.16
0002	090959	FASTON W/O TONGUE	0.00
0003	091192	FASTON COVER	0.14
0004	090247	FEMALE FASTON COVER	0.12
0005	095955	TERMINAL MALE	0.14
0006	096136	TERMINAL FEMALE	0.18
0007	094405	TERMINAL FEMALE 2,5	0.07
0008	094954	FEMALE HOLDER CONNECTOR 3-WAYS	2.46
0009	098062	4-WAY CONNECTOR MATE-N-LOK AMP	0.55
0010	094955	FEMALE HOLDER CONNECTOR 2-WAYS	0.38
0011	0V0809	4-PIN CONNECTOR/P MOLEX 3191	0.90
0012	0V0808	3-PIN CONNECTOR/P MOLEX 3191	0.77
0013	0V0810	6-PIN CONNECTOR/P MOLEX 3191	1.18
0014	0V0811	9-PIN CONNECTOR/P MOLEX 3191	1.30
0015	0V0812	12-PIN CONNECTOR/P MOLEX 3191	1.96
0016	0V0818	12-PIN CONNECTOR/P MOLEX 3191	0.00
0017	0V0815	4-PIN CONNECTOR/P MOLEX 3191	0.94
0018	0V0817	9-PIN CONNECTOR/P MOLEX 3191	1.27
0019	0V0819	15-PIN CONNECTOR/P MOLEX 3191	2.17
0020	0V0813	15-PIN CONNECTOR/P MOLEX 3191	2.06
0021	0V0814	3-PIN CONNECTOR/P MOLEX 3191	0.72
0022	0V0816	6-PIN CONNECTOR/P MOLEX 3191	1.25
0023	094961	FEMALE HOLDER CONNECTOR P.I. 12-W	1.18
0024	0V0820	MOLEX CONTACT PULLER	55.20