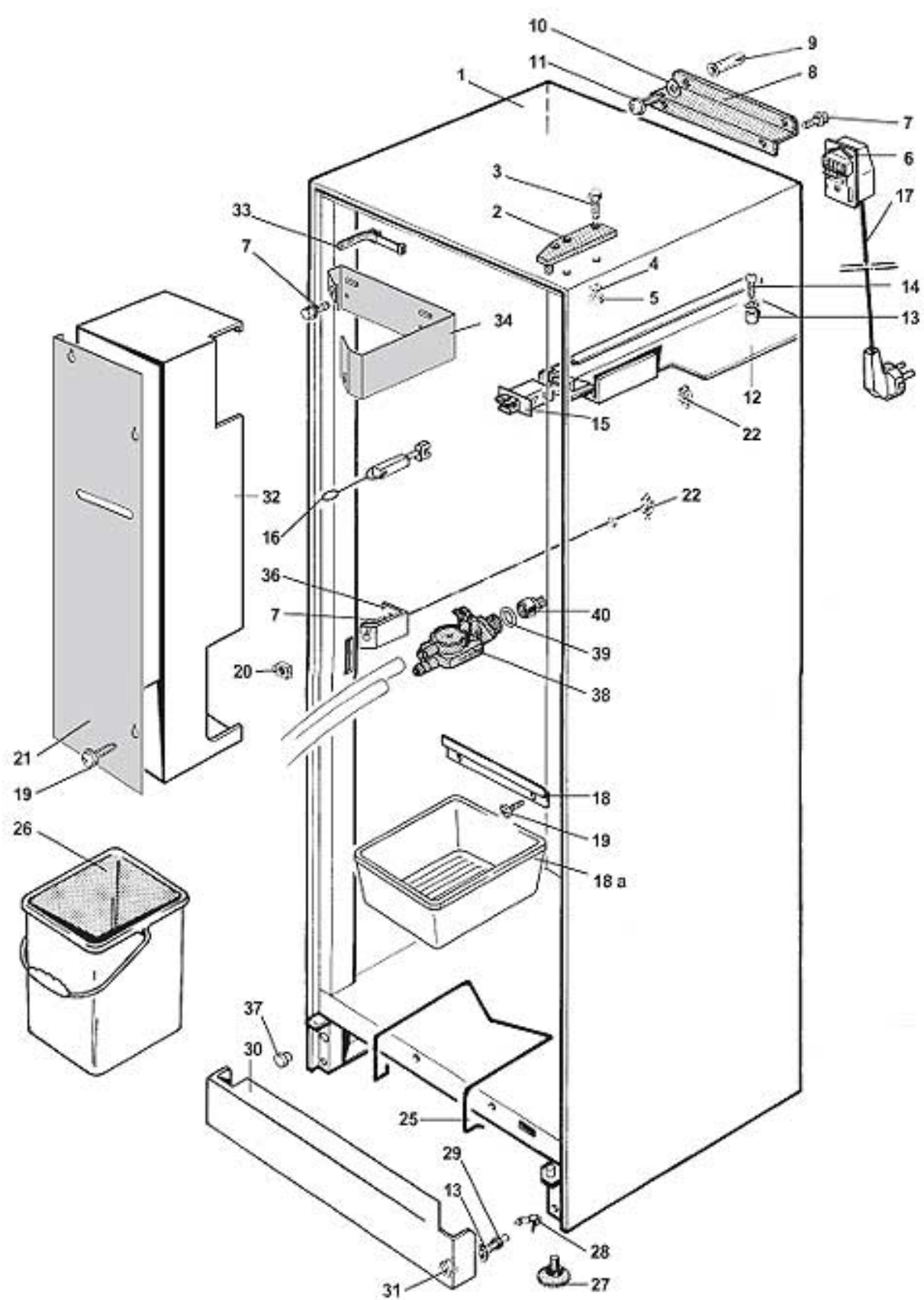


[SAGOMA]



spare parts manual

SAGOMA - cabinet (instant version)

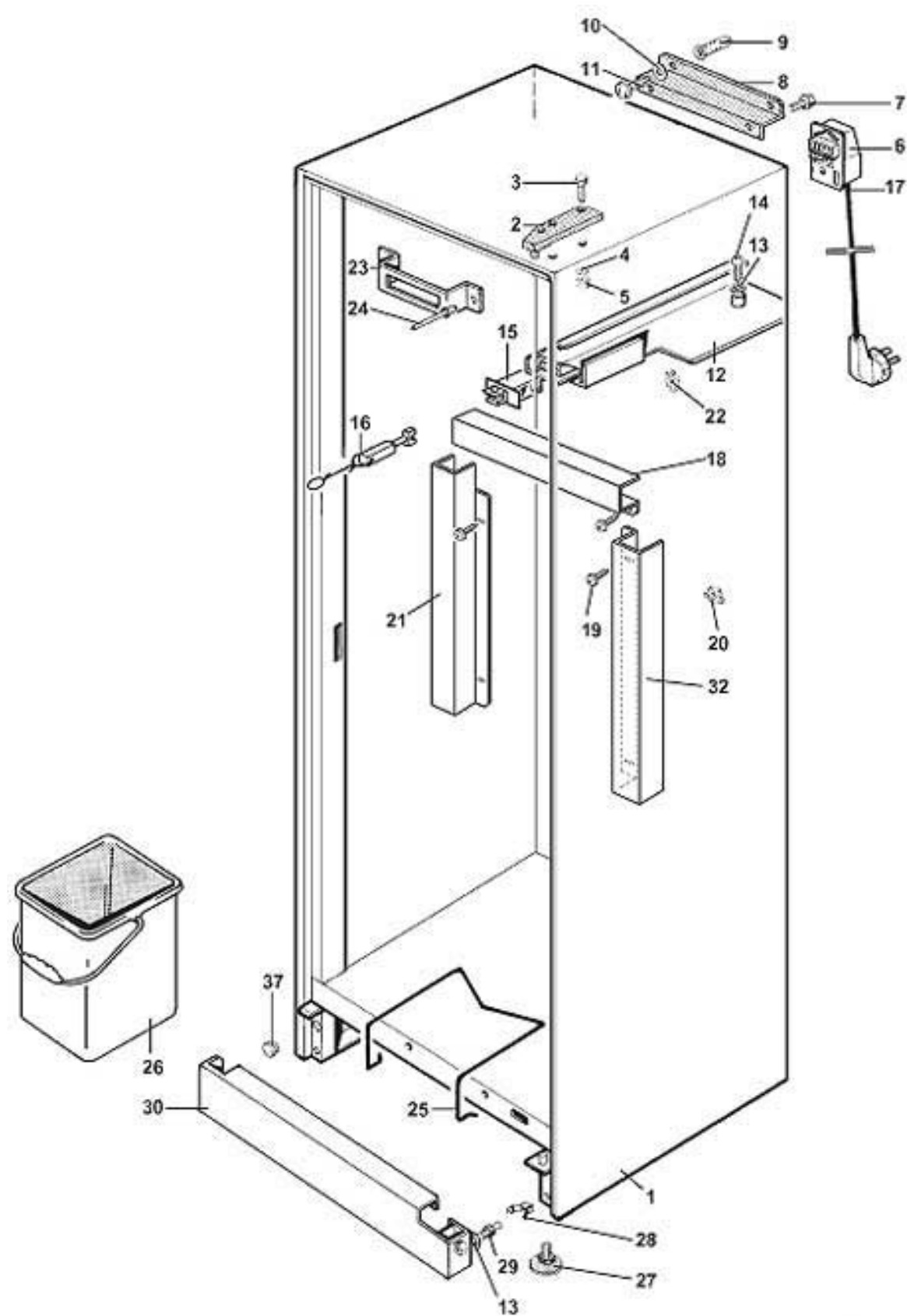


SAGOMA

SAGOMA - cabinet (instant version)

| Pos. Code | Description |
|-----------|--|
| 1/a | 0010014274 SAGOMA H CABINET STRUCTURE Up to serial 0136999 |
| | 0010014274AE SAGOMA H CABINET STRUCTURE Up to serial 0136999 PURE WHITE RAL 9010 |
| | 0010014274CF SAGOMA H CABINET STRUCTURE Up to serial 0136999 ANTHRACITE GREY RAL 7016 |
| | 0010014274CG SAGOMA H CABINET STRUCTURE Up to serial 0136999 LIGHT GREY RAL 7035 |
| | 0010014274CH SAGOMA H CABINET STRUCTURE Up to serial 0136999 AGATA GREY RAL 7038 |
| | 0010014274CM SAGOMA H CABINET STRUCTURE Up to serial 0136999 MERCEDES GREY RAL 9006 |
| | 0010014274CN SAGOMA H CABINET STRUCTURE Up to serial 0136999 SILICIOUS GREY RAL 7032 |
| | 0010014274GF SAGOMA H CABINET STRUCTURE Up to serial 0136999 SULPHUR YELLOW RAL 1016 |
| | 0010014274KE SAGOMA H CABINET STRUCTURE Up to serial 0136999 FIRE RED RAL 3000 |
| | 0010014274NA SAGOMA H CABINET STRUCTURE Up to serial 0136999 BLACK |
| 1/b | 0010014375 SAGOMA H CABINET STRUCTURE From serial 0137001 |
| | 0010014375AE SAGOMA H CABINET STRUCTURE From serial 0137001 PURE WHITE RAL 9010 |
| | 0010014375CF SAGOMA H CABINET STRUCTURE From serial 0137001 ANTHRACITE GREY RAL 7016 |
| | 0010014375CG SAGOMA H CABINET STRUCTURE From serial 0137001 LIGHT GREY RAL 7035 |
| | 0010014375CH SAGOMA H CABINET STRUCTURE From serial 0137001 AGATA GREY RAL 7038 |
| | 0010014375CM SAGOMA H CABINET STRUCTURE From serial 0137001 MERCEDES GREY RAL 9006 |
| | 0010014375CN SAGOMA H CABINET STRUCTURE From serial 0137001 SILICIOUS GREY RAL 7032 |
| | 0010014375GF SAGOMA H CABINET STRUCTURE From serial 0137001 SULPHUR YELLOW RAL 1016 |
| | 0010014375KE SAGOMA H CABINET STRUCTURE From serial 0137001 FIRE RED RAL 3000 |
| | 0010014375NA SAGOMA H CABINET STRUCTURE From serial 0137001 BLACK |
| 1/c | 0010014235 SAGOMA H/FP CABINET STRUCTURE Up to serial 0136999 |
| | 0010014235AE SAGOMA H/FP CABINET STRUCTURE Up to serial 0136999 PURE WHITE RAL 9010 |
| | 0010014235CF SAGOMA H/FP CABINET STRUCTURE Up to serial 0136999 ANTHRACITE GREY RAL 7016 |
| | 0010014235CG SAGOMA H/FP CABINET STRUCTURE Up to serial 0136999 LIGHT GREY RAL 7035 |
| | 0010014235CH SAGOMA H/FP CABINET STRUCTURE Up to serial 0136999 AGATA GREY RAL 7038 |
| | 0010014235CM SAGOMA H/FP CABINET STRUCTURE Up to serial 0136999 MERCEDES GREY RAL 9006 |
| | 0010014235CN SAGOMA H/FP CABINET STRUCTURE Up to serial 0136999 SILICIOUS GREY RAL 7032 |
| | 0010014235GF SAGOMA H/FP CABINET STRUCTURE Up to serial 0136999 SULPHUR YELLOW RAL 1016 |
| | 0010014235KE SAGOMA H/FP CABINET STRUCTURE Up to serial 0136999 FIRE RED RAL 3000 |
| | 0010014235NA SAGOMA H/FP CABINET STRUCTURE Up to serial 0136999 BLACK |
| 1/d | 0010014405 SAGOMA H/FP CABINET STRUCTURE From serial 0137001 |
| | 0010014405AE SAGOMA H/FP CABINET STRUCTURE From serial 0137001 PURE WHITE RAL 9010 |
| | 0010014405CF SAGOMA H/FP CABINET STRUCTURE From serial 0137001 ANTHRACITE GREY RAL 7016 |
| | 0010014405CG SAGOMA H/FP CABINET STRUCTURE From serial 0137001 LIGHT GREY RAL 7035 |
| | 0010014405CH SAGOMA H/FP CABINET STRUCTURE From serial 0137001 AGATA GREY RAL 7038 |
| | 0010014405CM SAGOMA H/FP CABINET STRUCTURE From serial 0137001 MERCEDES GREY RAL 9006 |
| | 0010014405CN SAGOMA H/FP CABINET STRUCTURE From serial 0137001 SILICIOUS GREY RAL 7032 |
| | 0010014405GF SAGOMA H/FP CABINET STRUCTURE From serial 0137001 SULPHUR YELLOW RAL 1016 |
| | 0010014405KE SAGOMA H/FP CABINET STRUCTURE From serial 0137001 FIRE RED RAL 3000 |
| | 0010014405NA SAGOMA H/FP CABINET STRUCTURE From serial 0137001 BLACK |
| 2 | 0010013191 UPPER HINGE |
| | 0010013191AE UPPER HINGE PURE WHITE RAL 9010 |
| | 0010013191CF UPPER HINGE ANTHRACITE GREY RAL 7016 |
| | 0010013191CG UPPER HINGE LIGHT GREY RAL 7035 |
| | 0010013191CH UPPER HINGE AGATA GREY RAL 7038 |
| | 0010013191CM UPPER HINGE MERCEDES GREY RAL 9006 |
| | 0010013191CN UPPER HINGE SILICIOUS GREY RAL 7032 |
| | 0010013191GF UPPER HINGE SULPHUR YELLOW RAL 1016 |
| | 0010013191KE UPPER HINGE FIRE RED RAL 3000 |
| | 0010013191NA UPPER HINGE BLACK |
| 3 | VIT0000215 SCREW HEX HEAD M8X25 |
| 4 | VIT0003402 SPRING WASHER 8,4 |
| 5 | VIT0004506 NUT M8 |
| 6 | ELE0002410 CLAMP PA 244/C |
| 7 | VIT0000236 SCREW HEX HEAD M6X11 |
| 8 | 0010014074 DISPENSER SECURING BRACKET |
| 9 | VIT0010701 TPF 8 x 50 DOWEL |
| 10 | VIT0009152 WASHER |
| 11 | VIT0002022 5.5x 60 TAPPING TCB SCREW |
| 12 | 0270011465 DOOR SWITCH SUPPORT |
| 13 | VIT0003103 SPRING WASHER 4,3 |
| 14 | VIT0000012 SCREW HEAD TAP CAP M4X10 |
| 15 | ELE0002009 BIPOLAR SWITCH 15A 250V |
| 16 | 0270011109CL AS SERVICE KEY |
| 17/a | ELE0055003 POWER LEAD H05VVf 3 x 1,5 SCHUKO PLUG |
| 17/b | ELE0055004 MAIN CABLE 3X1,5X3500 CH |
| 17/c | ELE0055006 POWER LEAD H05VVf 3 x 1.5 GB PLUG |
| 18 | 0010014237 H2O TANK BRACKET |
| 18/a | 0010014236 H2O DRIP TRAY (For version FP) |
| 19 | VIT0000030 SCREW HEAD TAP CAP M4X7 |
| 20 | VIT0009109 NUT M4 Up to serial 9541999 |
| 21/a | 0010014213 PROTECTION PLATE |
| 21/b | 0010014280 PROTECTION PLATE |
| 22 | VIT0009102 NUT M6 |
| 23 | |
| 24 | |
| 25 | 0010014063 GROUNDED COFFEE BAG HOOK (No for version FP) |
| 26 | CON0000201 BIN |
| 27 | VIT0010501 MACHINE FOOT D.30X15 |
| 28 | VIT0009152 WASHER |
| 29 | VIT0009151 PIN M4 |
| 30 | 0120004375 FRONT PROTECTION |
| | 0120004375AE FRONT PROTECTION PURE WHITE RAL 9010 |
| | 0120004375CF FRONT PROTECTION ANTHRACITE GREY RAL 7016 |
| | 0120004375CG FRONT PROTECTION LIGHT GREY RAL 7035 |
| | 0120004375CH FRONT PROTECTION AGATA GREY RAL 7038 |
| | 0120004375CM FRONT PROTECTION MERCEDES GREY RAL 9006 |
| | 0120004375CN FRONT PROTECTION SILICIOUS GREY RAL 7032 |
| | 0120004375GF FRONT PROTECTION SULPHUR YELLOW RAL 1016 |
| | 0120004375KE FRONT PROTECTION FIRE RED RAL 3000 |
| | 0120004375NA FRONT PROTECTION BLACK |
| 31 | VIT0004503 NUT M4 |
| 32/a | 0010014207CL BOILER PROTECTION Up to serial 0042999 |
| 32/b | 0010014212 BOILER PROTECTION SAG H5 From serial 0043001 |
| 32/c | 0010014279 BOILER PROTECTION From serial 0043001 |
| 33 | FASC000501 CLAMP |
| 34/a | 0600012318 UPPER BOILER SUPPORT Up to serial 0042999 |
| 34/b | 0600012614 UPPER BOILER SUPPORT From serial 0043001 |
| 35 | FASC000302 CLAMP 14.35-15.25 |
| 36/a | 0600012317 LOWER BOILER SUPPORT Up to serial 0042999 |
| 36/b | 0600012615 LOWER BOILER SUPPORT From serial 0043001 |
| 37 | 0020034022 SELECTION BUTTON PLUG |
| 38 | 0110001119 WATER INLET VALVE 24V DC |
| 39 | GUA0000021 OR 130 |
| 40/a | 0010019223 H2O INLET CONNECTOR 3/4F-3/8M |
| 40/b | 0810010558 WATER INLET VALVE CONNECTOR |

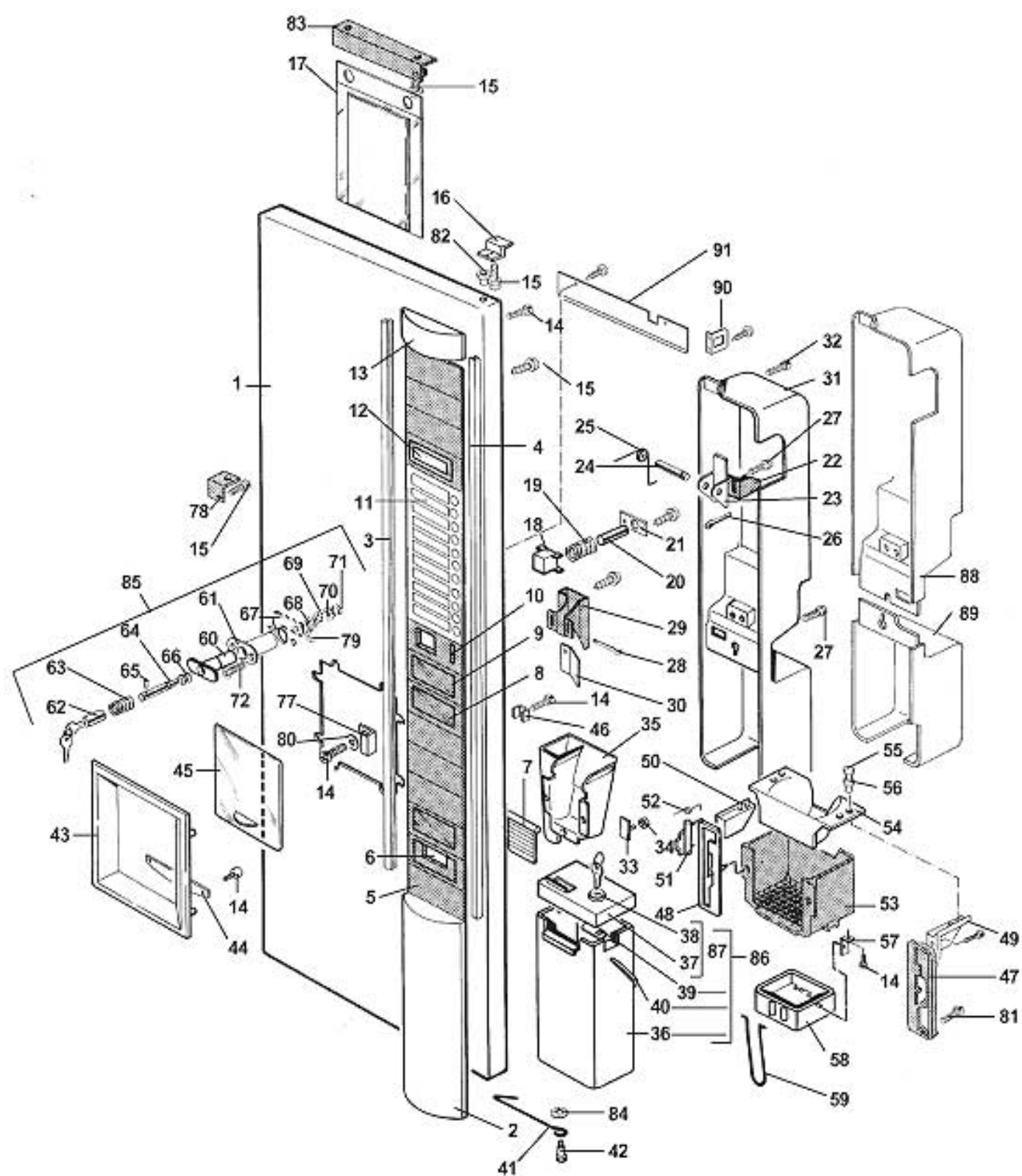
SAGOMA - cabinet (espresso version)



SAGOMA

SAGOMA - cabinet (espresso version)

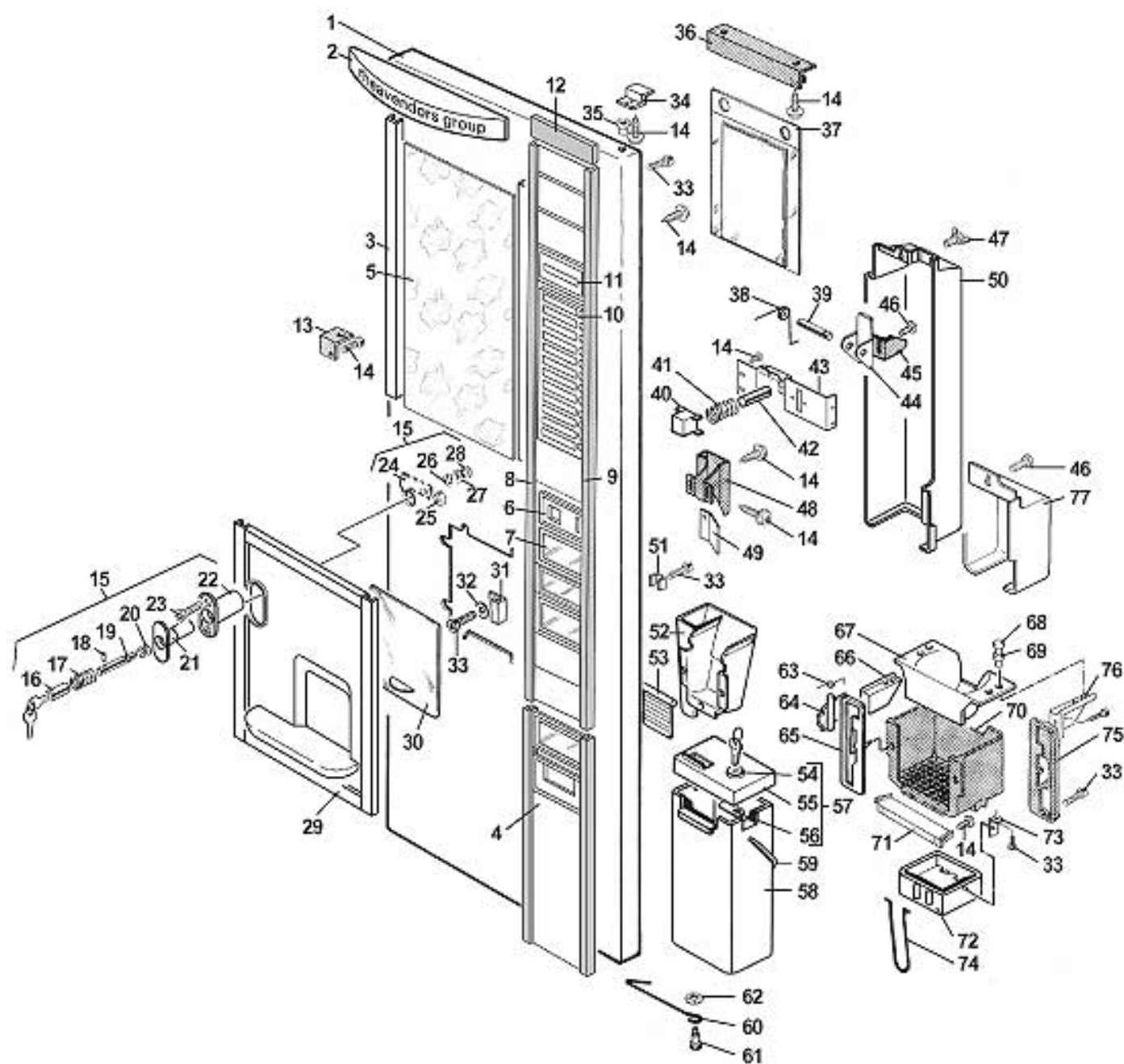
| Pos. Code | Description |
|-----------|---|
| 1/a | 0010014085 SAGOMA E CABINET STRUCTURE Up to serial 0136999 |
| | 0010014085AE SAGOMA E CABINET STRUCTURE Up to serial 0136999 PURE WHITE RAL 9010 |
| | 0010014085CF SAGOMA E CABINET STRUCTURE Up to serial 0136999 ANTHRACITE GREY RAL 7016 |
| | 0010014085CG SAGOMA E CABINET STRUCTURE Up to serial 0136999 LIGHT GREY RAL 7035 |
| | 0010014085CH SAGOMA E CABINET STRUCTURE Up to serial 0136999 AGATA GREY RAL 7038 |
| | 0010014085CM SAGOMA E CABINET STRUCTURE Up to serial 0136999 MERCEDES GREY RAL 9006 |
| | 0010014085CN SAGOMA E CABINET STRUCTURE Up to serial 0136999 SILICIOUS GREY RAL 7032 |
| | 0010014085GF SAGOMA E CABINET STRUCTURE Up to serial 0136999 SULPHUR YELLOW RAL 1016 |
| | 0010014085KE SAGOMA E CABINET STRUCTURE Up to serial 0136999 FIRE RED RAL 3000 |
| | 0010014085NA SAGOMA E CABINET STRUCTURE Up to serial 0136999 BLACK |
| 1/b | 0010014355 SAGOMA E CABINET STRUCTURE From serial 0137001 |
| | 0010014355AE SAGOMA E CABINET STRUCTURE From serial 0137001 PURE WHITE RAL 9010 |
| | 0010014355CF SAGOMA E CABINET STRUCTURE From serial 0137001 ANTHRACITE GREY RAL 7016 |
| | 0010014355CG SAGOMA E CABINET STRUCTURE From serial 0137001 LIGHT GREY RAL 7035 |
| | 0010014355CH SAGOMA E CABINET STRUCTURE From serial 0137001 AGATA GREY RAL 7038 |
| | 0010014355CM SAGOMA E CABINET STRUCTURE From serial 0137001 MERCEDES GREY RAL 9006 |
| | 0010014355CN SAGOMA E CABINET STRUCTURE From serial 0137001 SILICIOUS GREY RAL 7032 |
| | 0010014355GF SAGOMA E CABINET STRUCTURE From serial 0137001 SULPHUR GREY RAL 1016 |
| | 0010014355KE SAGOMA E CABINET STRUCTURE From serial 0137001 FIRE RED RAL 3000 |
| | 0010014355NA SAGOMA E CABINET STRUCTURE From serial 0137001 BLACK |
| 2 | 0010013191 UPPER HINGE |
| | 0010013191AE UPPER HINGE PURE WHITE RAL 9010 |
| | 0010013191CF UPPER HINGE ANTHRACITE GREY RAL 7016 |
| | 0010013191CG UPPER HINGE LIGHT GREY RAL 7035 |
| | 0010013191CH UPPER HINGE AGATA GREY RAL 7038 |
| | 0010013191CM UPPER HINGE MERCEDES GREY RAL 9006 |
| | 0010013191CN UPPER HINGE SILICIOUS GREY RAL 7032 |
| | 0010013191GF UPPER HINGE SULPHUR YELLOW RAL 1016 |
| | 0010013191KE UPPER HINGE FIRE RED RAL 3000 |
| | 0010013191NA UPPER HINGE BLACK |
| 3 | VIT0000215 SCREW HEX HEAD M8X25 |
| 4 | VIT0003402 SPRING WASHER 8,4 |
| 5 | VIT0004506 NUT M8 |
| 6 | ELE0002410 CLAMP PA 244/C |
| 7 | VIT0000236 SCREW HEX HEAD M6X11 |
| 8 | 0010014074 DISPENSER SECURING BRACKET |
| 9 | VIT0010701 TPF 8 x 50 DOWEL |
| 10 | VIT0003303 WASHER 6,6X18X1,5 |
| 11 | VIT0002022 5,5x 60 TAPPING TCB SCREW |
| 12 | 0270011465 DOOR SWITCH SUPPORT |
| 13 | VIT0003103 SPRING WASHER 4,3 |
| 14 | VIT0000012 SCREW HEAD TAP CAP M4X10 |
| 15 | ELE0002009 BIPOLAR SWITCH 15A 250V |
| 16 | 0270011109CL AS SERVICE KEY |
| 17 | ELE0055003 POWER LEAD H05VVf 3 x 1,5 SCHUKO PLUG |
| 17/a | ELE0055004 MAIN CABLE 3X1,5X3500 CH |
| 17/b | ELE0055006 POWER LEAD H05VVf 3 x 1,5 GB PLUG |
| 18/a | 0010014067 R.H. CABLES PROTECTION Up to serial 9538999 |
| 18/b | 0010014087 L.H. CABLES PROTECTION Up to serial 0042999 |
| 18/c | 0010014257 HORIZONTAL LEFT CABLES PROTECTION From serial 0043001 |
| 19 | VIT0000030 SCREW HEAD TAP CAP M4X7 |
| 20 | VIT0009109 NUT M4 |
| 21 | 0010014257 HORIZONTAL LEFT CABLES PROTECTION From serial 0043001 |
| 22 | VIT0009102 NUT M6 |
| 23/a | 0010014062 COFFEE BEANS CONTAINER CONNECT |
| 23/b | 0010014105 GROUND COFFEE CONTAINER CONNEC |
| 24 | VIT0007021 BLIND RIVET 3X6 |
| 25 | 0010014063 GROUNDED COFFEE BAG HOOK (No for version FP) |
| 26 | CON0000201 BIN |
| 27 | VIT0010501 MACHINE FOOT D.30X15 |
| 28 | VIT0009152 WASHER |
| 29 | VIT0009151 PIN M4 |
| 30 | 0120004375 FRONT PROTECTION |
| | 0120004375AE FRONT PROTECTION PURE WHITE RAL 9010 |
| | 0120004375CF FRONT PROTECTION ANTHRACITE GREY RAL 7016 |
| | 0120004375CG FRONT PROTECTION LIGHT GREY RAL 7035 |
| | 0120004375CH FRONT PROTECTION AGATA GREY RAL 7038 |
| | 0120004375CM FRONT PROTECTION MERCEDES GREY RAL 9006 |
| | 0120004375CN FRONT PROTECTION SILICIOUS GREY RAL 7032 |
| | 0120004375GF FRONT PROTECTION SULPHUR YELLOW RAL 1016 |
| | 0120004375KE FRONT PROTECTION FIRE RED RAL 3000 |
| | 0120004375NA FRONT PROTECTION BLACK |
| 31 | |
| 32/a | 0010014083 R.H. CABLES PROTECTION E4 From serial 0043001 |
| 32/b | 0010014256 CABLE PROTECTION RIGHT From serial 0043001 |
| 33 | |
| 34 | |
| 35 | |
| 36 | |
| 37 | 0020034022 SELECTION BUTTON PLUG |



SAGOMA

SAGOMA - door

| Pos. Code | Description |
|-----------|--|
| 1/a | 0020034004/1 BALTICA FRONT DOOR Up to serial 9523999 |
| 1/b | 0020034004/2 WHITE FRONT DOOR Up to serial 9523999 |
| 1/c | 0020034154/1 MEDITERRANEA FRONT DOOR From serial 9527001 |
| 1/d | 0020034154/2 BALTICA FRONT DOOR From serial 9527001 |
| 1/e | 0020034154/3 DOOR From serial 9527001 |
| 1/f | 0020034154/4 CUSTOM FRONT DOOR From serial 9527001 |
| 1/g | 0020034154/5 CULTINO FRONT DOOR From serial 9527001 |
| 1/h | 0020034154/6 CAPPUCCINO ESPRESSO FRONT DOOR From serial 9527001 |
| 1/i | 0020034154/7 BLACK FRONT DOOR WITH ADHESIVE CAPPUCCINO ESPRESSO From serial 9527001 |
| 1/l | 0020034154/8 RED FRONT DOOR WITH NEUTRAL ADHESIVE From serial 9527001 |
| 1/m | 0020034154/9 BLACK FRONT DOOR WITH NESTLE' ADHESIVE From serial 9527001 |
| 1/n | 0020034154/10 WHITE FRONT DOOR WITH NEUTRAL ADHESIVE From serial 9527001 |
| 2 | 0020026234 LOWER SUPPORT |
| 3 | 0020034034 SX VERTICAL PROFILE |
| | 0020034034CF SX VERTICAL PROFILE ANTHRACITE GREY RAL 7016 |
| | 0020034034CG SX VERTICAL PROFILE LIGHT GREY RAL 7035 |
| | 0020034034CK SX VERTICAL PROFILE DUST GREY RAL 7037 |
| | 0020034034CM SX VERTICAL PROFILE MERCEDES GREY RAL 9006 |
| | 0020034034KE SX VERTICAL PROFILE FIRE RED RAL 3000 |
| | 0020034034KF SX VERTICAL PROFILE RUBY RED RAL 3003 |
| | 0020034034NA SX VERTICAL PROFILE BLACK |
| 4 | 0020034035 DX VERTICAL PROFILE |
| | 0020034035CF DX VERTICAL PROFILE ANTHRACITE GREY RAL 7016 |
| | 0020034035CG DX VERTICAL PROFILE LIGHT GREY RAL 7035 |
| | 0020034035CK DX VERTICAL PROFILE DUST GREY RAL 7037 |
| | 0020034035CM DX VERTICAL PROFILE MERCEDES GREY RAL 9006 |
| | 0020034035KE DX VERTICAL PROFILE FIRE RED RAL 3000 |
| | 0020034035KF DX VERTICAL PROFILE RUBY RED RAL 3003 |
| | 0020034035NA DX VERTICAL PROFILE BLACK |
| 5 | 0020026341 NEUTRAL MODULE |
| | 0020026341CA NEUTRAL MODULE DOVE GREY RAL 7006 |
| | 0020026341CB NEUTRAL MODULE SAND GREY 153155 |
| | 0020026341CF NEUTRAL MODULE ANTHRACITE GRAY RAL 7016 |
| | 0020026341CG NEUTRAL MODULE LIGHT GREY RAL 7035 |
| | 0020026341CI NEUTRAL MODULE TRAFFIC GREY RAL 7042 |
| | 0020026341CK NEUTRAL MODULE DUST GRAY RAL 7037 |
| | 0020026341CM NEUTRAL MODULE MERCEDES GREY RAL 9006 |
| | 0020026341CS NEUTRAL MODULE BMW GRAY 237 |
| | 0020026341NA NEUTRAL MODULE BLACK |
| 6 | 0020026344 COIN RETURN MODULE |
| 7 | 0020018162 COIN RETURN HATCH |
| | 0020018162CA COIN RETURN HATCH DOVE GREY RAL 7006 |
| | 0020018162CF COIN RETURN HATCH ANTHRACITE GRAY RAL 7016 |
| | 0020018162CK COIN RETURN HATCH DUST GREY RAL 7037 |
| | 0020018162CP COIN RETURN HATCH WINDOW GREY RAL 7040 |
| | 0020018162GA COIN RETURN HATCH ACID YELLOW 153163 |
| | 0020018162GC COIN RETURN HATCH MELON YELLOW RAL 7017 |
| | 0020018162GD COIN RETURN HATCH GRAPES YELLOW PANTONE 610C |
| | 0020018162KA COIN RETURN HATCH SIGNAL RED RAL 3020 |
| | 0020018162NA COIN RETURN HATCH BLACK |
| 8 | 0020026342 INSTRUCTION MODULE |
| | 0020026342CA INSTRUCTION MODULE DOVE GREY RAL 7006 |
| | 0020026342CB INSTRUCTION MODULE SAND GREY 153155 |
| | 0020026342CF INSTRUCTION MODULE ANTHRACITE GRAY RAL 7016 |
| | 0020026342CG INSTRUCTION MODULE LIGHT GREY RAL 7035 |
| | 0020026342CI INSTRUCTION MODULE TRAFFIC GREY RAL 7042 |
| | 0020026342CK INSTRUCTION MODULE DUST GRAY RAL 7037 |
| | 0020026342CM INSTRUCTION MODULE MERCEDES GREY RAL 9006 |
| | 0020026342CS INSTRUCTION MODULE BMW GRAY 237 |
| | 0020026342NA INSTRUCTION MODULE BLACK |
| 9 | 0020029457 COIN RETURN PLEXIGLASS |
| 10 | 0020026343 COIN INTRODUCTION MODULE |
| | 0020026343CA COIN INTRODUCTION MODULE DOVE GREY RAL 7006 |
| | 0020026343CB COIN INTRODUCTION MODULE SAND GREY 153155 |
| | 0020026343CF COIN INTRODUCTION MODULE ANTHRACITE GRAY RAL 7016 |
| | 0020026343CG COIN INTRODUCTION MODULE LIGHT GREY RAL 7035 |
| | 0020026343CI COIN INTRODUCTION MODULE TRAFFIC GREY RAL 7042 |
| | 0020026343CK COIN INTRODUCTION MODULE DUST GRAY RAL 7037 |
| | 0020026343CM COIN INTRODUCTION MODULE MERCEDES GREY RAL 9006 |
| | 0020026343CS COIN INTRODUCTION MODULE BMW GRAY 237 |
| | 0020026343NA COIN INTRODUCTION MODULE BLACK |
| 11 | See table KEYBOARD |
| 12 | 0020034032 DISPLAY GLASS |
| 13 | 0020029041 NEUTRAL UPPER SUPPORT |
| 14 | VIT0002452 SCREW HEAD TAP M3.5X12 |
| 15 | VIT0002401 SCREW ST HEAD CAP M3.5X9.5 |
| 16/a | 0270011466 DOOR SWITCH LEVER Up to serial 9523999 |
| 16/b | 0270011481 DOOR SWITCH BRACKET From serial 9527001 |
| 17 | IMB0001208 MANUAL HOLDER CASE |
| 18 | 4050010072 COIN RETURN BUTTON |
| | 4050010072AB COIN RETURN BUTTON WHITE RAL 9016 |
| | 4050010072AD COIN RETURN BUTTON BS WHITE 5118 |
| | 4050010072CF COIN RETURN BUTTON ANTHRACITE GRAY RAL 7016 |
| | 4050010072CI COIN RETURN BUTTON TRAFFIC GREY RAL 7042 |
| | 4050010072CK COIN RETURN BUTTON DUST GREY RAL 7037 |
| | 4050010072CM COIN RETURN BUTTON MERCEDES GREY RAL 9006 |
| | 4050010072CP COIN RETURN BUTTON WINDOW GREY RAL 7040 |
| | 4050010072GA COIN RETURN BUTTON ACID YELLOW 153163 |
| | 4050010072GC COIN RETURN BUTTON MELON YELLOW RAL 7017 |
| | 4050010072GD COIN RETURN BUTTON GRAPES YELLOW PANTONE 610C |
| | 4050010072KA COIN RETURN BUTTON SIGNAL RED RAL 3020 |
| | 4050010072KC COIN RETURN BUTTON PANTONE 208C RED |
| | 4050010072NA COIN RETURN BUTTON BLACK |
| | 4050010072XC COIN RETURN BUTTON CHROMATE |
| 19 | 4050010074 COIN RETURN BUTTON SPRING |
| 20 | 0020034023 COIN RETURN PIN |
| 21 | 0020034177 COIN RETURN BUTTON CONNECTION |
| 22 | 0020026322 LOWER BRACKET |
| 23 | 0020034025 UPPER BRACKET |
| 24 | NL202100249 PIN |
| 25 | 0020005013 COIN REJECT BUTTON SPRING |
| 26 | VIT0006004 COTTER PIN 1.6X15 |
| 27 | 0020034188 FIXING SCREW |
| 28 | VIT0006012 COTTER PIN 1.5X40 |
| 29 | 0020029023NA COIN INTRODUCTION CHUTE It's part of kit 0020029023R |
| 30 | 0020029258 INLET COIN PLATE |
| 31/a | 0020034026 CPU PROTECTION Up to serial 9523999 |
| 31/b | 0020034165 CPU PROTECTION From serial 9527001 Up to serial 9619999 It's part of kit 0020034165/1 |
| 32 | VIT0000012 SCREW HEAD TAP CAP M4X10 Up to serial 9523999 |
| 33 | 0160014013 PLATE WITH STUD BOLT Up to serial 9523999 |
| 34 | VIT0004503 NUT M4 Up to serial 9523999 |
| 35/a | 0020034027 AS COINS SLIDE Up to serial 9523999 |
| 35/b | 0020034162 AS COINS SLIDE From serial 9527001 |
| 36 | 0030006005 COIN BOX |
| 37 | 0030006006 COIN BOX LID |
| 38 | SER0000010 LOCK MM20 + KEY 3480 |
| 39 | SER0001005 LOCK PLATE |
| 40 | 4060010113 COIN BOX HOOK |
| 41/a | 0020030017 DOOR STOP Up to serial 9523999 |
| 41/b | 0020034172 DOOR STOP From serial 9527001 |
| 42/a | NL201106241 LOCK SECURING SCREW Up to serial 9523999 |
| 42/b | 0020034173 DOOR STOP IN From serial 9527001 |
| 43 | 0400008003 CUPS STOP FRAME |
| 44 | 0150001056 DRIP TRAY |
| 45 | 0400008009/1 CUPS STOP HATCH |
| 46 | 4600010012 DRINK SELECTION PANEL BRACKET |
| 47 | 0400007014 L.H. SUPPORT |
| | 0400007014CA L.H. SUPPORT DOVE GREY RAL 7006 |
| | 0400007014CB L.H. SUPPORT SAND GREY 153155 |
| | 0400007014IC L.H. SUPPORT ORANGE RAL 2011 |
| | 0400007014NA L.H. SUPPORT BLACK |
| | 0400007014PG L.H. SUPPORT BRIGHT BLUE RAL 5012 |
| 48 | 0400007027 R.H. SUPPORT |
| | 0400007027CA R.H. SUPPORT DOVE GREY RAL 7006 |
| | 0400007027CB R.H. SUPPORT SAND GREY 153155 |
| | 0400007027IC R.H. SUPPORT ORANGE RAL 2011 |
| | 0400007027NA R.H. SUPPORT BLACK |

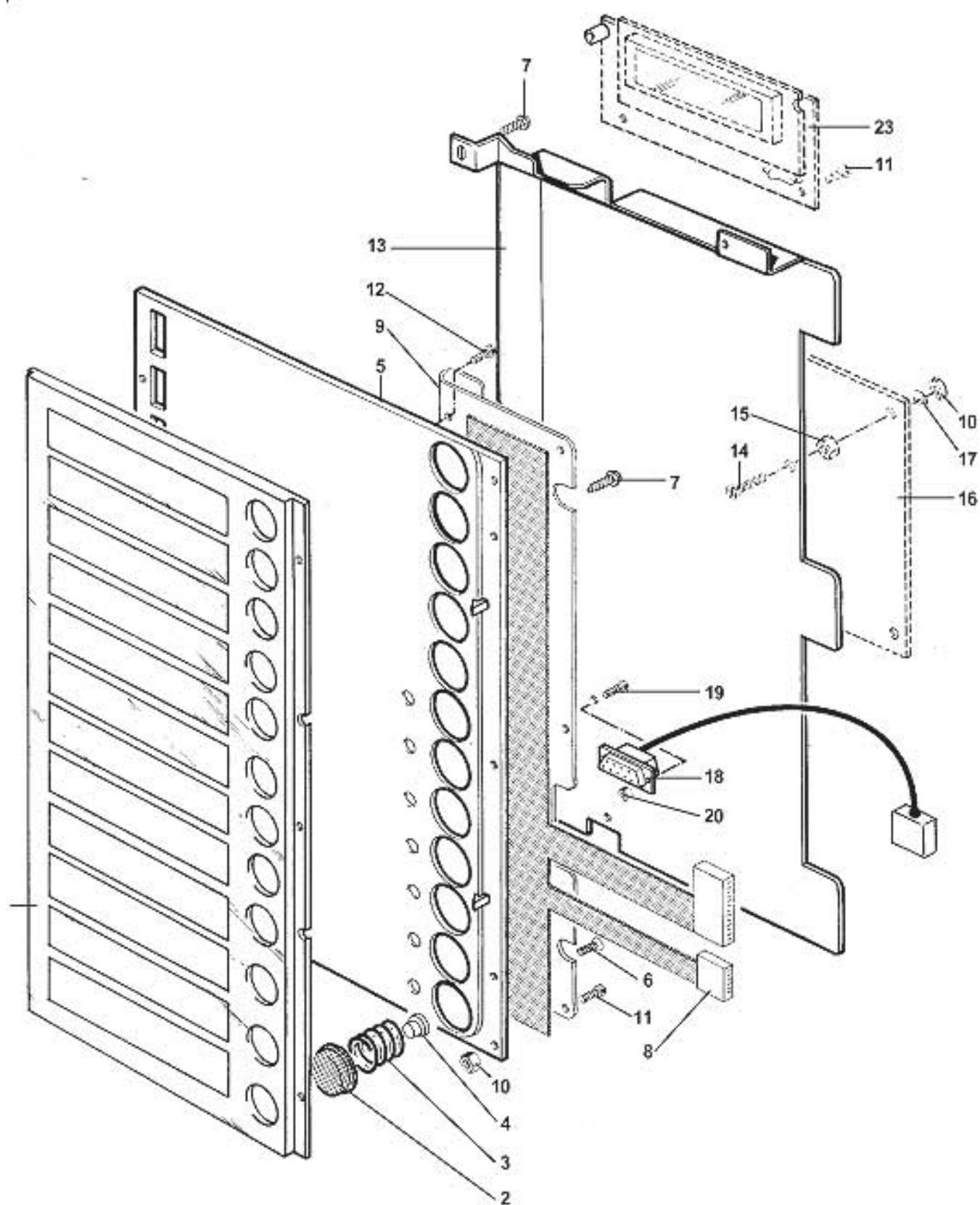


SAGOMA

SAGOMA - door LX

| Pos. Code | Description |
|-----------|---|
| 1 | 0020034406 SAGOMA DOOR LX |
| | 0020034406AE SAGOMA DOOR LX PURE WHITE RAL 9010 |
| | 0020034406CG SAGOMA DOOR LX LIGHT GREY RAL 7035 |
| | 0020034406CH SAGOMA DOOR LX AGATA GREY RAL 7038 |
| | 0020034406CM SAGOMA DOOR LX MERCEDES GREY RAL 9006 |
| | 0020034406KE SAGOMA DOOR LX FIRE RED RAL 3000 |
| | 0020034406NA SAGOMA DOOR LX BLACK |
| 2 | 0020034411CG UPPER BAND RAL7035 |
| 3 | 0020034408CG LATERAL FRAME RAL7035 |
| 4 | 0020034279CG LOWER FR. MODULE PANEL RAL7035 |
| 5 | 1010065461 GRAPHIC PANEL TAZZA CAP SAG.LX |
| 6 | 0020026343CG |
| 7 | 0020026342CG |
| 8 | 0020034414 LEFT SAGOMA LX - LUCE PROFILE |
| | 0020034414CF LEFT SAGOMA LX - LUCE PROFILE ANTHRACITE GREY RAL 7016 |
| | 0020034414CG LEFT SAGOMA LX - LUCE PROFILE LIGHT GREY RAL 7035 |
| | 0020034414CM LEFT SAGOMA LX - LUCE PROFILE MERCEDES GREY RAL 9006 |
| | 0020034414KE LEFT SAGOMA LX - LUCE PROFILE FIRE RED RAL 3000 |
| | 0020034414KF LEFT SAGOMA LX - LUCE PROFILE RUBY RED RAL 3003 |
| | 0020034414NA LEFT SAGOMA LX - LUCE PROFILE BLACK |
| 9 | 0020034413 RIGHT SAGOMA LX - LUCE PROFILE |
| | 0020034413CF RIGHT SAGOMA LX - LUCE PROFILE ANTHRACITE GREY RAL 7016 |
| | 0020034413CG RIGHT SAGOMA LX - LUCE PROFILE LIGHT GREY RAL 7035 |
| | 0020034413CM RIGHT SAGOMA LX - LUCE PROFILE MERCEDES GREY RAL 9006 |
| | 0020034413KE RIGHT SAGOMA LX - LUCE PROFILE FIRE RED RAL 3000 |
| | 0020034413KF RIGHT SAGOMA LX - LUCE PROFILE RUBY RED RAL 3003 |
| | 0020034413NA RIGHT SAGOMA LX - LUCE PROFILE BLACK |
| 10 | Vedi tav.4 |
| 11/a | 0020034106CG DISPLAY PLEXIGLASS RAL7035 Only for version with sugar regulation |
| 11/b | 0020034106NA DISPLAY PLEXIGLASS BLACK Only for version with sugar regulation |
| 12 | 0020034278CG UPPER FR. MODULE PANEL RAL7035 |
| 13 | 0020034178 LOWER BRACKET CUP HOLDER |
| 14 | VIT0002401 SCREW ST HEAD CAP M3.5X9.5 |
| 15 | 1150003500 SAGOMA LX COMPLETE LOCK |
| | 1150003500AE SAGOMA LX COMPLETE LOCK PURE WHITE RAL 9010 |
| | 1150003500CF SAGOMA LX COMPLETE LOCK ANTHRACITE GREY RAL 7016 |
| | 1150003500CG SAGOMA LX COMPLETE LOCK LIGHT GREY RAL 7035 |
| | 1150003500CM SAGOMA LX COMPLETE LOCK MERCEDES GREY RAL 9006 |
| | 1150003500CT SAGOMA LX COMPLETE LOCK OPAQUE MERCEDES GREY RAL 9006 |
| | 1150003500NA SAGOMA LX COMPLETE LOCK BLACK |
| 16 | SER0000003 LOCK |
| 17 | 1150002113 SPRING |
| 18 | 1150002111 PIN |
| 19 | VIT0005202 DOWEL PIN 4X16 |
| 20 | VIT0006508 RING 10 |
| 21 | 1150002112 LOCK BODY |
| | 1150002112AE LOCK BODY PURE WHITE RAL 9010 |
| | 1150002112CF LOCK BODY ANTHRACITE GREY RAL 7016 |
| | 1150002112CG LOCK BODY LIGHT GREY RAL 7035 |
| | 1150002112CH LOCK BODY AGATA GREY RAL 7038 |
| | 1150002112CI LOCK BODY TRAFFIC GREY RAL 7042 |
| | 1150002112CK LOCK BODY DUST GREY RAL 7037 |
| | 1150002112CM LOCK BODY MERCEDES GREY RAL 9006 |
| | 1150002112CN LOCK BODY SILICIOUS GRAY RAL 7032 |
| | 1150002112CT LOCK BODY OPAQUE MERCEDES GREY RAL 90 |
| | 1150002112DA LOCK BODY PEARL LIGHT GREY RAL 9022 |
| | 1150002112DB LOCK BODY QUARTZ GREY RAL 7039 |
| | 1150002112DC LOCK BODY ALUMINIUM GREY |
| | 1150002112DD LOCK BODY BLUE GREY |
| | 1150002112GF LOCK BODY SULPHUR YELLOW RAL 1016 |
| | 1150002112KE LOCK BODY FIRE RED RAL 3000 |
| | 1150002112NA LOCK BODY BLACK |
| 22 | 1150003326 SLEEVE |
| | 1150003326AE SLEEVE PURE WHITE RAL 9010 |
| | 1150003326CF SLEEVE ANTHRACITE GREY RAL 7016 |
| | 1150003326CG SLEEVE LIGHT GREY RAL 7035 |
| | 1150003326CH SLEEVE AGATA GREY RAL 7038 |
| | 1150003326CM SLEEVE MERCEDES GREY RAL 9006 |
| | 1150003326CT SLEEVE OPAQUE MERCEDES GREY RAL 9006 |
| | 1150003326NA SLEEVE BLACK |
| 23 | VIT0000108 SCREW COUNT FLAT HEAD M4X16 |
| 24/a | 1150003327 LOCK HOOK Up to serial 0136999 |
| 24/b | 1150003328 LOCK HOOK From serial 0137001 |
| 25 | VIT0004815 NUT M4 |
| 26 | VIT0003302 WASHER 5.5X15X1.6 |
| 27 | VIT0003104 SPRING WASHER 5.3 |
| 28 | VIT0000208 SCREW HEX HEAD M5X10 |
| 29 | 0020034407CG CUP STATION FRAME RAL7035 |
| 30 | 0400008009/2 CUP STATION FLAP |
| 31 | 0020034168CB CUP STATION DOOR GUIDE |
| 32 | VIT0003301 WASHER 4.3X12X1.5 |
| 33 | VIT0002464 SCREW HEAD TAP M3.5X10 |
| 34 | 0270011481 DOOR SWITCH BRACKET |
| 35 | 0020034156 DOOR HINGE BUSH |
| 36 | 0020034167 MANUAL HOLDER ENVELOPE SUPPORT |
| 37 | IMB0001208 MANUAL HOLDER CASE |
| 38 | 0020005013 COIN REJECT BUTTON SPRING |
| 39 | 0020034187 PIN |
| 40 | 4050010072 COIN RETURN BUTTON |
| | 4050010072AB COIN RETURN BUTTON WHITE RAL 9016 |
| | 4050010072AD COIN RETURN BUTTON BS WHITE 5118 |
| | 4050010072CF COIN RETURN BUTTON ANTHRACITE GRAY RAL 7016 |
| | 4050010072CI COIN RETURN BUTTON TRAFFIC GREY RAL 7042 |
| | 4050010072CK COIN RETURN BUTTON DUST GREY RAL 7037 |
| | 4050010072CM COIN RETURN BUTTON MERCEDES GREY RAL 9006 |
| | 4050010072CP COIN RETURN BUTTON WINDOW GREY RAL 7040 |
| | 4050010072GA COIN RETURN BUTTON ACID YELLOW 153163 |
| | 4050010072GC COIN RETURN BUTTON MELON YELLOW RAL 7017 |
| | 4050010072GD COIN RETURN BUTTON GRAPES YELLOW PANTONE 610C |
| | 4050010072KA COIN RETURN BUTTON SIGNAL RED RAL 3020 |
| | 4050010072KC COIN RETURN BUTTON PANTHON 208C RED |
| | 4050010072NA COIN RETURN BUTTON BLACK |
| | 4050010072XC COIN RETURN BUTTON CHROMATE |
| 41 | 4050010074 COIN RETURN BUTTON SPRING |
| 42 | 0020034023 COIN RETURN PIN |
| 43 | 0020029294 COIN MODULE PLATE |
| 44 | 0020034025 UPPER BRACKET |
| 45 | 0020026322 LOWER BRACKET |
| 46 | VIT0000030 SCREW HEAD TAP CAP M4X7 |
| 47 | VIT0007008 SCREW WINGS 4X10 |
| 48 | 0020034045CB COIN INTRODUCTION CHUTE 153155 |
| 49 | 0020029258 INLET COIN PLATE |
| 50/a | 0020034174NB CPU BOARD COVER For old electronic version |
| 50/b | 0020034518NB CPU PROTECTION (only for new electronic versions) For new electronic version |
| 51 | 4600010012 DRINK SELECTION PANEL BRACKET |
| 52 | 0020029444 AS COIN CHUTE |
| 53 | 0020018162 COIN RETURN HATCH |
| | 0020018162CA COIN RETURN HATCH DOVE GREY RAL 7006 |
| | 0020018162CF COIN RETURN HATCH ANTHRACITE GRAY RAL 7016 |
| | 0020018162CK COIN RETURN HATCH DUST GREY RAL 7037 |
| | 0020018162CP COIN RETURN HATCH WINDOW GREY RAL 7040 |
| | 0020018162GA COIN RETURN HATCH ACID YELLOW 153163 |
| | 0020018162GC COIN RETURN HATCH MELON YELLOW RAL 7017 |
| | 0020018162GD COIN RETURN HATCH GRAPES YELLOW PANTONE 610C |
| | 0020018162KA COIN RETURN HATCH SIGNAL RED RAL 3020 |
| | 0020018162NA COIN RETURN HATCH BLACK |
| 54 | SER0000010 LOCK MM20 + KEY 3480 |
| 55 | 0030006006 COIN BOX LID |
| 56 | SER0001005 LOCK PLATE |
| 57 | 0030006004R AS COINS BOX COVER+LOCK |
| 58 | 0030006105R AS COIN BOX + HOOK |
| 59 | 4060010113 COIN BOX HOOK |
| 60 | 0020034172 DOOR STOP |
| 61 | 0020034173 DOOR STOP IN |
| 62 | VIT0007102 BENZING CLIP |
| 63 | 0400007021 SPRING |
| 64 | 0400007017 LOCKING PLATE |

SAGOMA - KEYBOARD

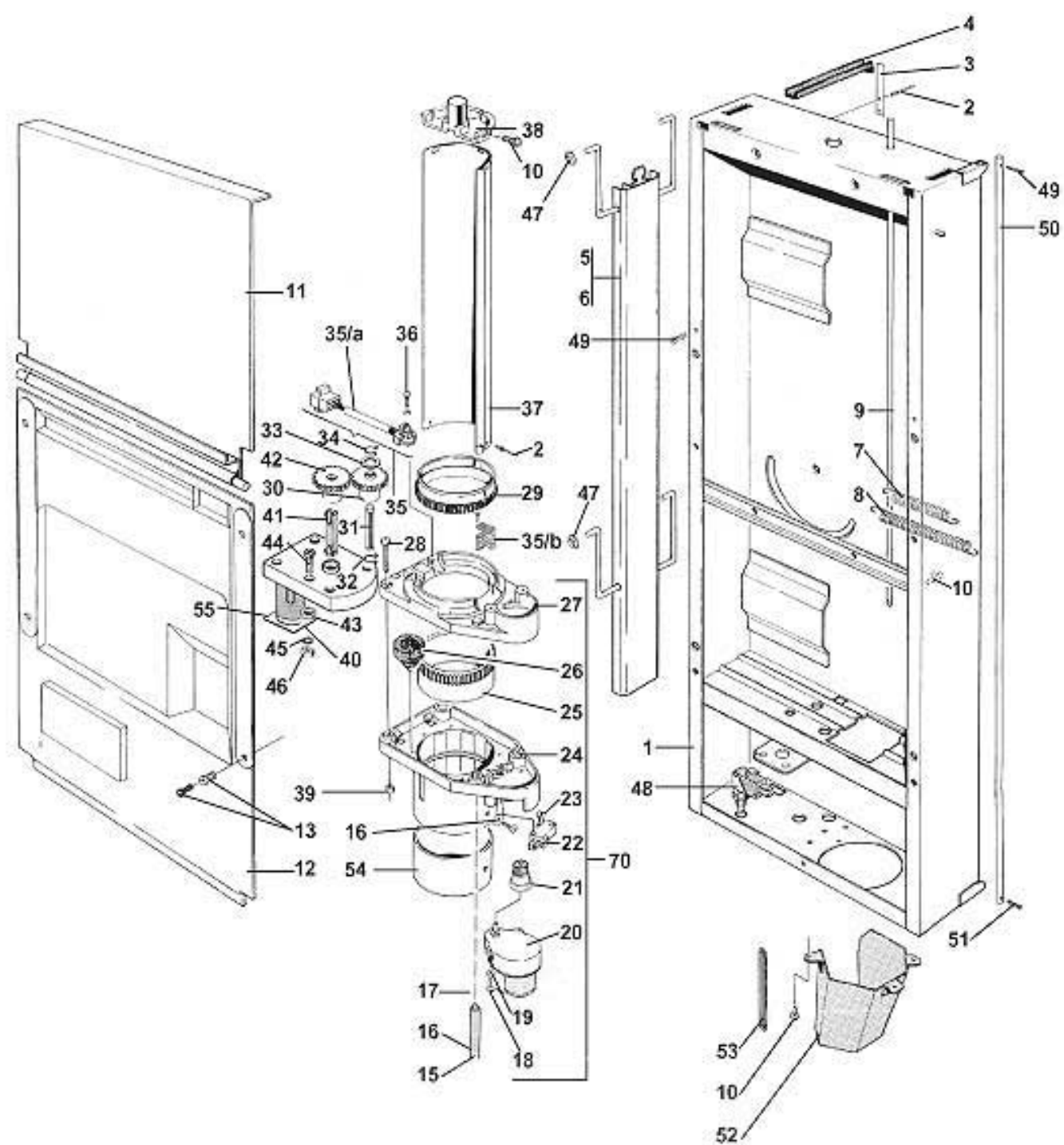


SAGOMA

SAGOMA - KEYBOARD

| Pos. Code | Description |
|------------------|--|
| 1/1 0020034105CG | PLEXIGLASS BUTTONS RAL7065/36 |
| 1/2 0020034105CI | BUTTONS PLEXIGLASS RAL7042 |
| 1/3 0020034105NA | BUTTONS PLEXIGLASS BLACK |
| 2/1 0020034015AB | SELECTION BUTTON RAL 9016 |
| 2/2 0020034015CD | SELECTION BUTTON RAL 7040 |
| 2/3 0020034015CK | SELECTION BUTTON RAL 7037 |
| 2/4 0020034015GC | SELECTION BUTTON 154762 |
| 2/5 0020034015IC | SELECTION BUTTON 154849 |
| 2/6 0020034015KA | SELECTION BUTTON RAL 3002 |
| 2/7 0020034015MA | GREEN BUTTON |
| 2/8 0020034015NA | SELECTION BUTTON RAL 9006 |
| 2/9 0020034015PB | SELECTION BUTTON 154816 |
| 3 0020034016 | SELECTION BUTTON SPRING |
| 4 0020034022 | SELECTION BUTTON PLUG |
| 5 0020034014 | PLATE |
| 6 VIT0000031 | SCREW HEAD TAP CAP M2.5X6 |
| 7 VIT0002401 | SCREW ST HEAD CAP M3.5X9.5 |
| 8 0020034050 | KEYPAD W/SUGAR REGULATION |
| 9 0020034033 | KEYPAD SUPPORT |
| 10 VIT0004503 | NUT M4 |
| 11 VIT0000030 | SCREW HEAD TAP CAP M4X7 |
| 12 VIT0002001 | SCREW ST HEAD CAP M2.9X6.5 |
| 13/a 0020034158 | CPU BOARD SUPPORT For old electronic version |
| 13/b 0020034299 | CPU BOARD SUPPORT For new electronic version |
| 14 VIT0000014 | SCREW HEAD TAP CAP M4X16 |
| 15 0020018125 | SPACER |
| 16 | see tab. 18 |
| 17 VIT0003502 | WASHER 4,3X8X0,5 |
| 18 CBL0900704 | WIRING |
| 19 VIT0000002 | SCREW HEAD TAP CAP M3X6 |
| 20 VIT0004502 | NUT M3 |
| 21 0020034512 | PROGRAMMING KEYBOARD SECURING PLATE |
| 22 | see tab. 18 |

SAGOMA - cups loader

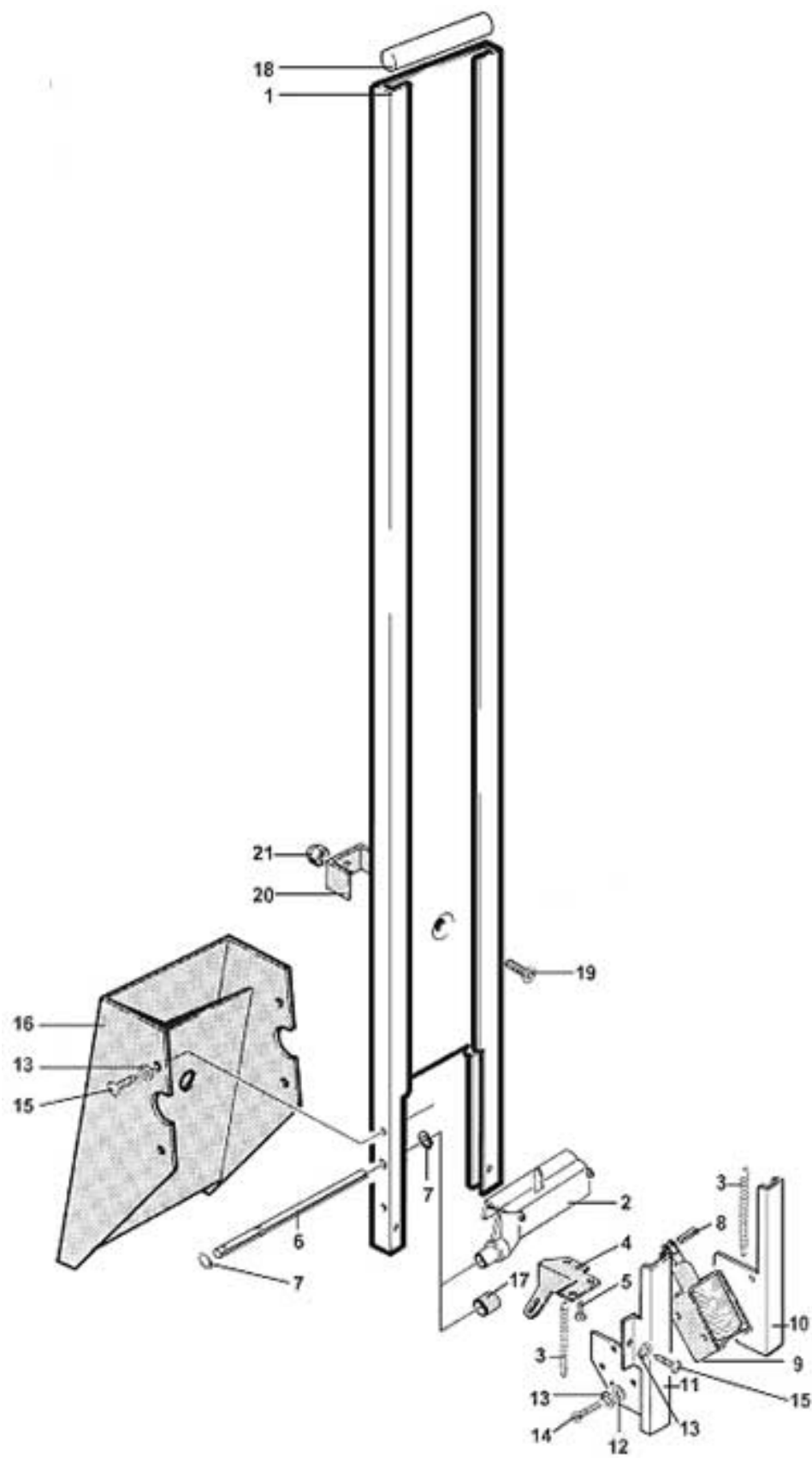


SAGOMA

SAGOMA - cups loader

| Pos. Code | Description |
|-----------|--|
| 1 | 0180011755 500-CUP LOADER STRUCTURE |
| 2 | VIT0007020 BLIND RIVET |
| 3 | 0180009051 STOP CONNECTION SPRING |
| 4 | 0180009054 BRACKET |
| 5 | 0180011757R A\$ LEFT CUPS DISPENSER WALL |
| 6 | 0180011758R A\$ RIGHT CUPS DISPENSER WALL |
| 7 | 2100002007 CUP LOADER SPRING |
| 8 | 0180011554 SPRING |
| 9 | 0180011759 CUP PIN GUIDE |
| 10 | VIT0002401 SCREW ST HEAD CAP M3.5X9.5 |
| 11 | 0180011764 CUP DISPENSER COVER |
| 12 | 0180011771CK COVER RAL7038 |
| 13 | VIT0007104R A\$ BUSH+BUTTON |
| 14 | |
| 15 | VIT0000002 SCREW HEAD TAP CAP M3X6 |
| 16 | VIT0003002 WASHER 3.2X7X0.5 |
| 17 | 0180011534 CUP DISPENSER COLUMN |
| 18 | VIT0000006 SCREW HEAD TAP CAP M3X16 |
| 19 | VIT0003102 SPRING WASHER 3.2 |
| 20 | 0090002512 MOTOR G70 24V DC |
| 21 | 0190006007 PINION |
| 22 | ELE0001522 MICROSWITCH |
| 23 | ELE0001906 MICROSWITCH LEVER |
| 24 | 0190006056 LOWER PLATE It's part of kit 0190012155CL |
| 25 | 0190006004 TOOTHED RING NUT |
| 26 | 0190006005 CAM |
| 27 | 0190012155 UPPER PLATE It's part of kit 0190012155CL |
| 28 | VIT0000019 SCREW HEAD TAP CAP M5X35 |
| 29 | 0180011762 TOOTHED RING NUT |
| 30 | 0190012108 PINION Z 30 |
| 31 | 0180011533 SHAFT |
| 32 | VIT0006502 RING 3.2 |
| 33 | VIT0003303 WASHER 6,6X18X1,5 |
| 34 | VIT0006503 RING 4 |
| 35/a | SCH0005100 |
| 35/b | SCH0004220 CUPS SENSOR/COLUMN BOARD |
| 36 | VIT0002001 SCREW ST HEAD CAP M2.9X6.5 |
| 37 | 0180011761 CENTRAL COLUMN |
| 38 | 0180005007 CENTRAL COLUMN GUIDE |
| 39 | VIT0004504 NUT M5 |
| 40 | 0090002114R A\$ GEARBOX MOTOR 11RPM 24V DC |
| 41 | 0380010421 GEARBOX MOTOR SHAFT |
| 42 | 0180011544 PINION Z 30 |
| 43 | 0180011553 MOTOR SPACER |
| 44 | VIT0000015 SCREW HEAD TAP CAP M4X25 |
| 45 | VIT0003103 SPRING WASHER 4,3 |
| 46 | VIT0004503 NUT M4 |
| 47 | VIT0007102 BENZING CLIP |
| 48 | ELE0001506 MICROSWITCH For old electronic version |
| 49 | VIT0002001 SCREW ST HEAD CAP M2.9X6.5 |
| 50 | 0180011763 SHAFT |
| 51 | VIT0006004 COTTER PIN 1,6X15 |
| 52 | 0180011528 CUP CHUTE |
| | 0180011528CK CUP CHUTE DUST GREY RAL 7037 |
| 53 | 0180010058 CUP STOP SHAFT |
| 54 | 0190006057 CUP EXTENSION GUIDE |
| 70 | 0190006065CL A\$ CUPS DISPENSER |
| 100 | 0180011760CL A\$ CUPS DISPENSER |

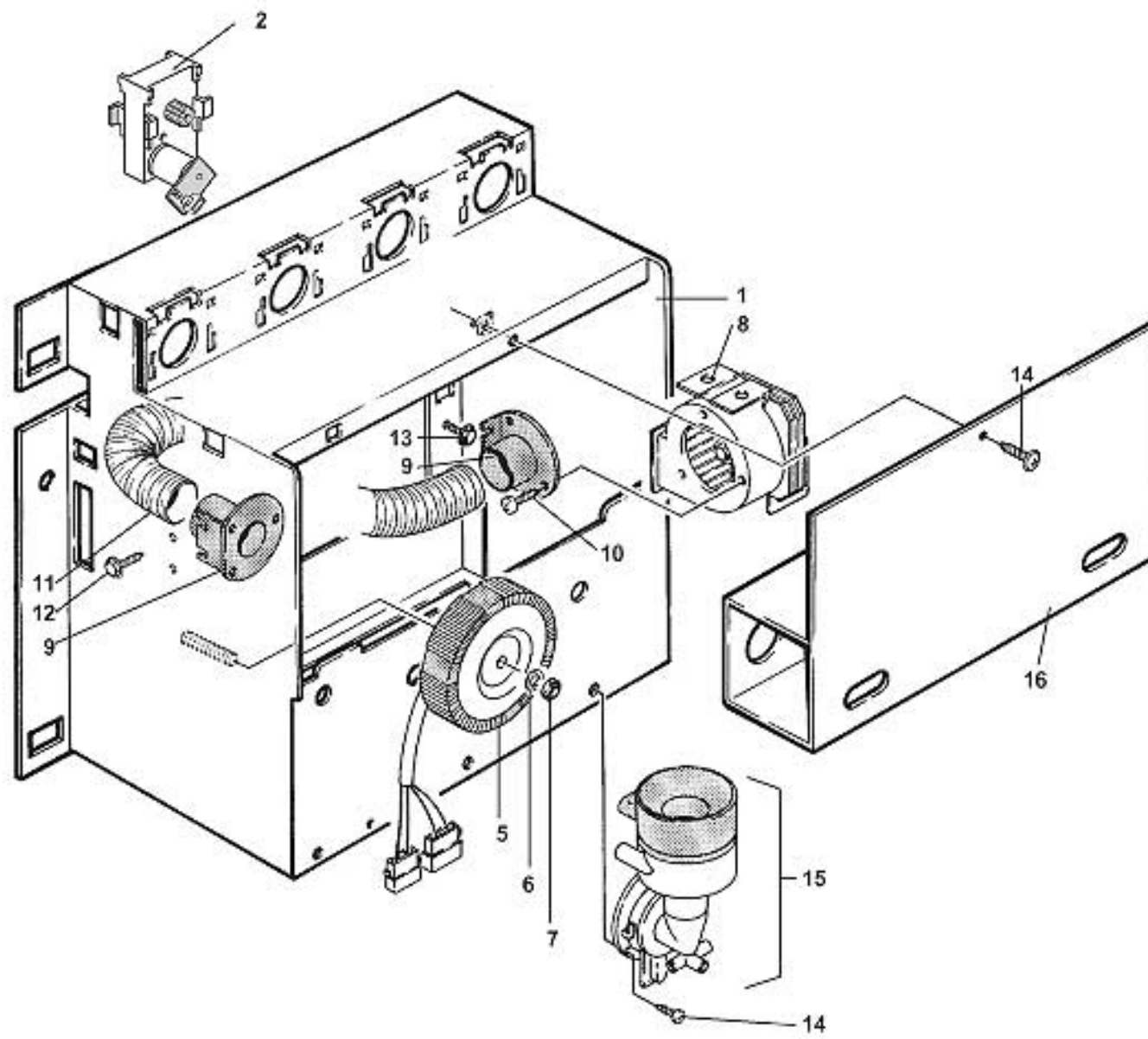
SAGOMA - stirrer dispenser



SAGOMA

SAGOMA - stirrer dispenser

| Pos. Code | Description |
|------------------|---|
| 1/a 0450007013 | STIRRER CONTAINER mm 89 |
| 1/b 0450003076 | STIRRER CONTAINER MM. 104 |
| 2 0450002003 | STIRRER EJECTOR |
| 3 0450003010 | SPRING |
| 4 0450003108 | ELECTROMAGNET CONNECTING ROD |
| 5 VIT0002469 | SCREW HEAD TAP M3.5X10 |
| 6/a 0450003008 | STIRRER DISPENSER PIN 89 mm |
| 6/b 0450003032 | STIRRER EJECTOR PIN |
| 7 VIT0006504 | RING 5 |
| 8 VIT0005211 | DOWEL PIN 2.5X12 |
| 9 ELE0000055 | ELECTROMAGNET 5% 24V DC |
| 10 0450003106 | RIGHT HOLDER |
| 11 0450003107 | LEFT HOLDER |
| 12 VIT0003003 | WASHER 4,3X8X0,8 |
| 13 VIT0003405 | SPRING WASHER 4,3 |
| 14 VIT0000021 | SCREW HEAD TAP CAP M4X6 |
| 15 VIT0002401 | SCREW ST HEAD CAP M3.5X9.5 |
| 16/a 0450003066 | STIRRERFEEDER mm 89 |
| 16/b 0450003077 | STIRRER FEEDER mm 104 |
| 17 0450003031 | SPACER |
| 18/a 4001012030 | STIRRER WEIGHT 89MM |
| 18/b 0450003033 | STIRRER WEIGHT 104MM |
| 19 VIT0000109 | M 4x20 TSP SCREW |
| 20 4600010012 | DRINK SELECTION PANEL BRACKET From serial 9527001 |
| 21 VIT0004810 | NUT M4 |
| 100 0450003060CL | Å§ STIRRER DISPENSER 89 Except pos. 18 |
| 101 0450003070CL | Å§ STIRRER DISPENSER 104 Except pos. 18 |

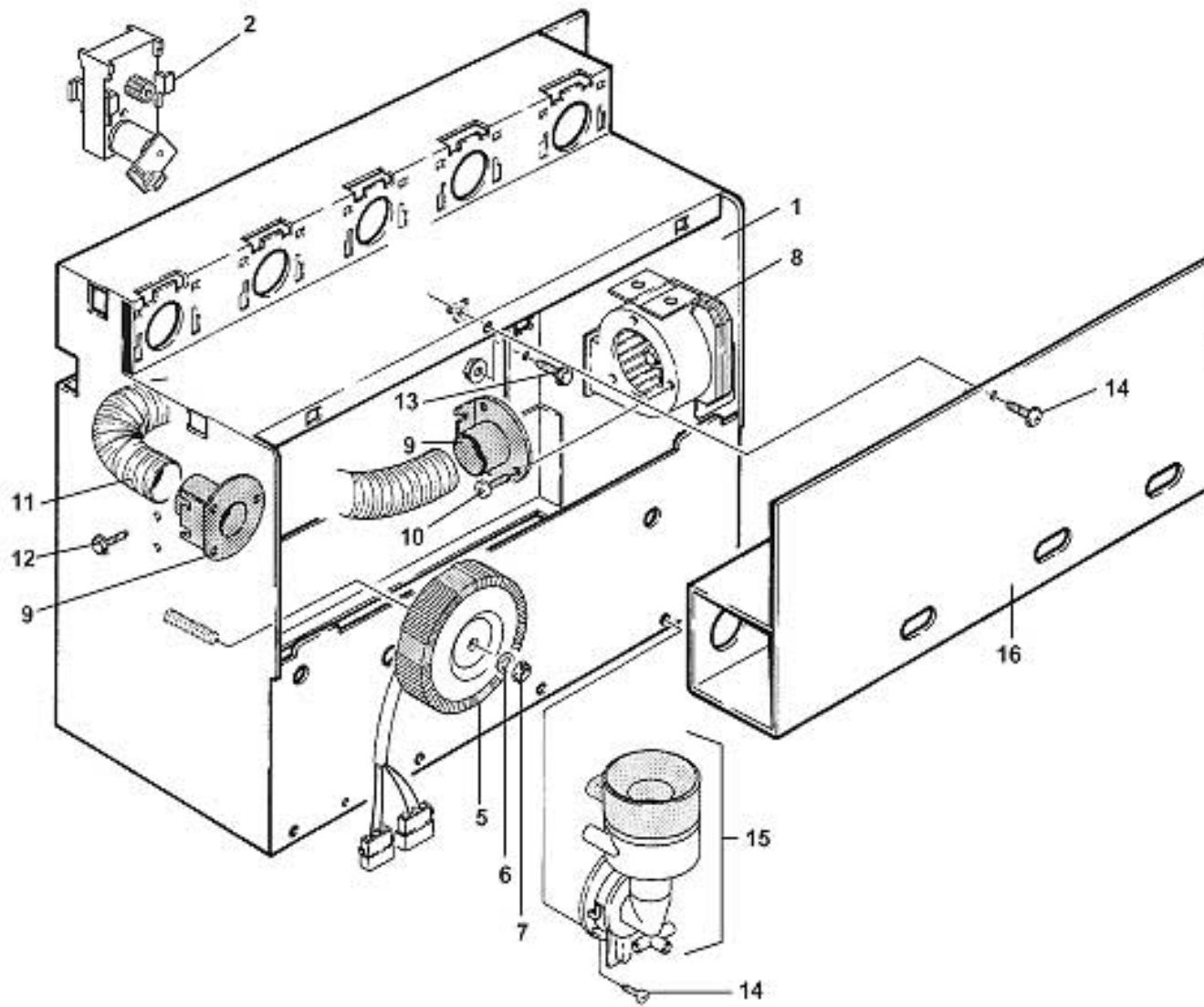


SAGOMA

SAGOMA - solubles dispenser H

| Pos. Code | Description |
|-----------------|--|
| 1/a 0070010408R | SOLUBLES 5 HOUSING |
| 1/b 0070010964R | SOLUBLES HOUSING 6 |
| 2 0090002113R | Å§ GEARBOX MOTOR 24V DC + FILTER |
| 3 | |
| 4 | |
| 5 ELE0000565R | TRANSFOMER |
| 6 VIT0003453 | SPRING WASHER 6,4 |
| 7 VIT0004505 | NUT M6 |
| 8 ELE0000458 | TRAP 26/50 D. 55 |
| 9 0010014071 | TRAP CONNECTOR |
| 10 VIT0002001 | SCREW ST HEAD CAP M2.9X6.5 |
| 11 TEOL000002 | EXTRACTOR TUBE D.30 |
| 12 VIT0002469 | SCREW HEAD TAP M3.5X10 |
| 13 VIT0002455 | SCREW HEAD TAP M3.5X20 |
| 14 VIT0002401 | SCREW ST HEAD CAP M3.5X9.5 |
| 15 | see tab. 8 |
| 16/a 0070010411 | H/5 EXHAUST COVER ASSEMBLY It's part of kit 0070010388CL |
| 16/b 0070010969 | TRAP I6 |

SAGOMA - solubles dispenser E

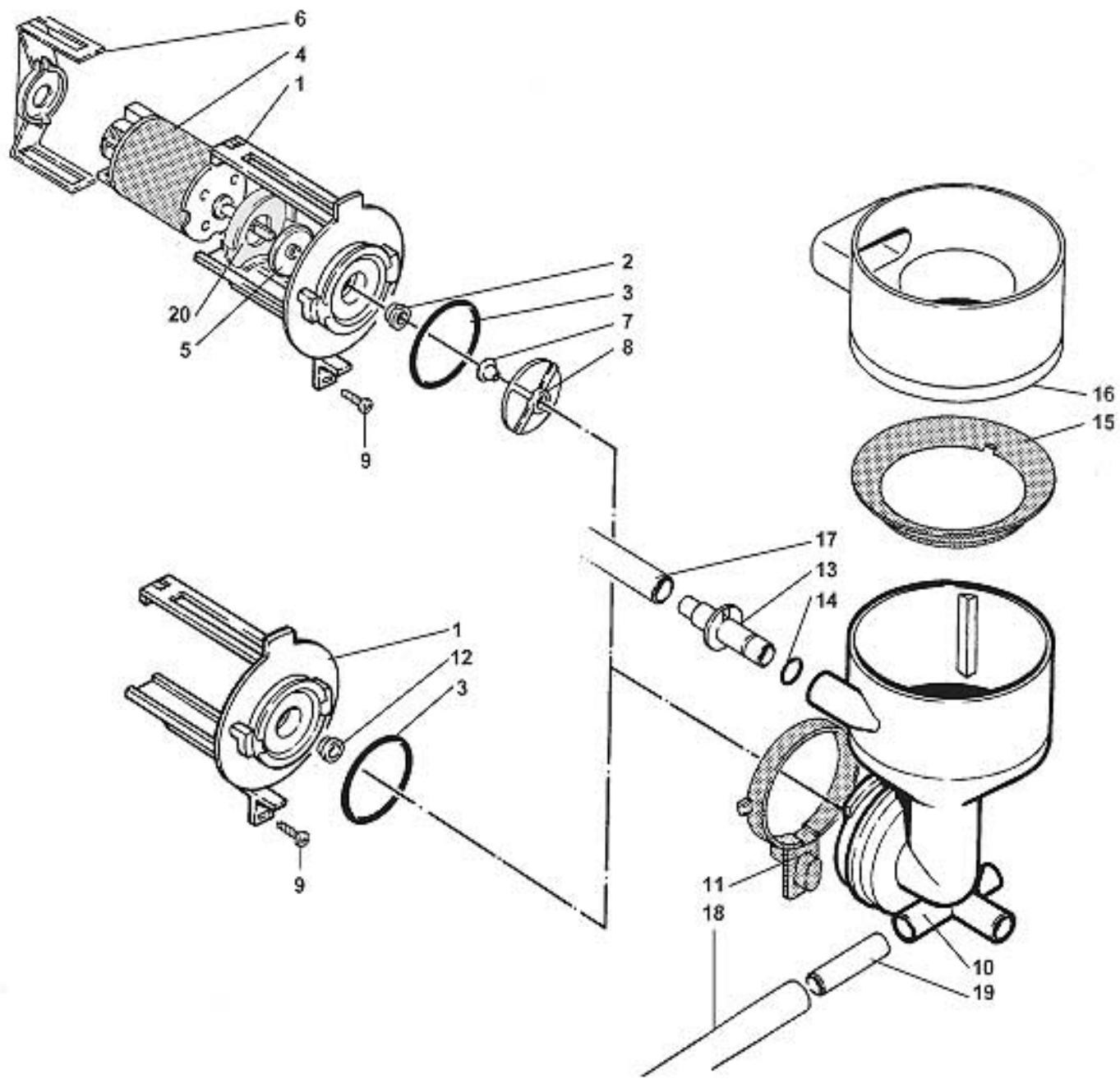


SAGOMA

SAGOMA - solubles dispenser E

| Pos. Code | Description |
|-----------------|----------------------------------|
| 1 0070010455R | Â§ HOUSING |
| 2 0090002113R | Â§ GEARBOX MOTOR 24V DC + FILTER |
| 3 | |
| 4 | |
| 5 ELE0000565R | TRANSFOMER |
| 6 VIT0003453 | SPRING WASHER 6,4 |
| 7 VIT0004505 | NUT M6 |
| 8 ELE0000458 | TRAP 26/50 D. 55 |
| 9 0010014071 | TRAP CONNECTOR |
| 10 VIT0002001 | SCREW ST HEAD CAP M2.9X6.5 |
| 11 TEOL000002 | EXTRACTOR TUBE D.30 |
| 12 VIT0002469 | SCREW HEAD TAP M3.5X10 |
| 13 VIT0002455 | SCREW HEAD TAP M3.5X20 |
| 14 VIT0002401 | SCREW ST HEAD CAP M3.5X9.5 |
| 15 Vedi tav. 8 | |
| 16/a 0070010459 | TRAP COVER 4 |
| 16/b 0070010422 | TRAP COVER 5 |

SAGOMA - mixers

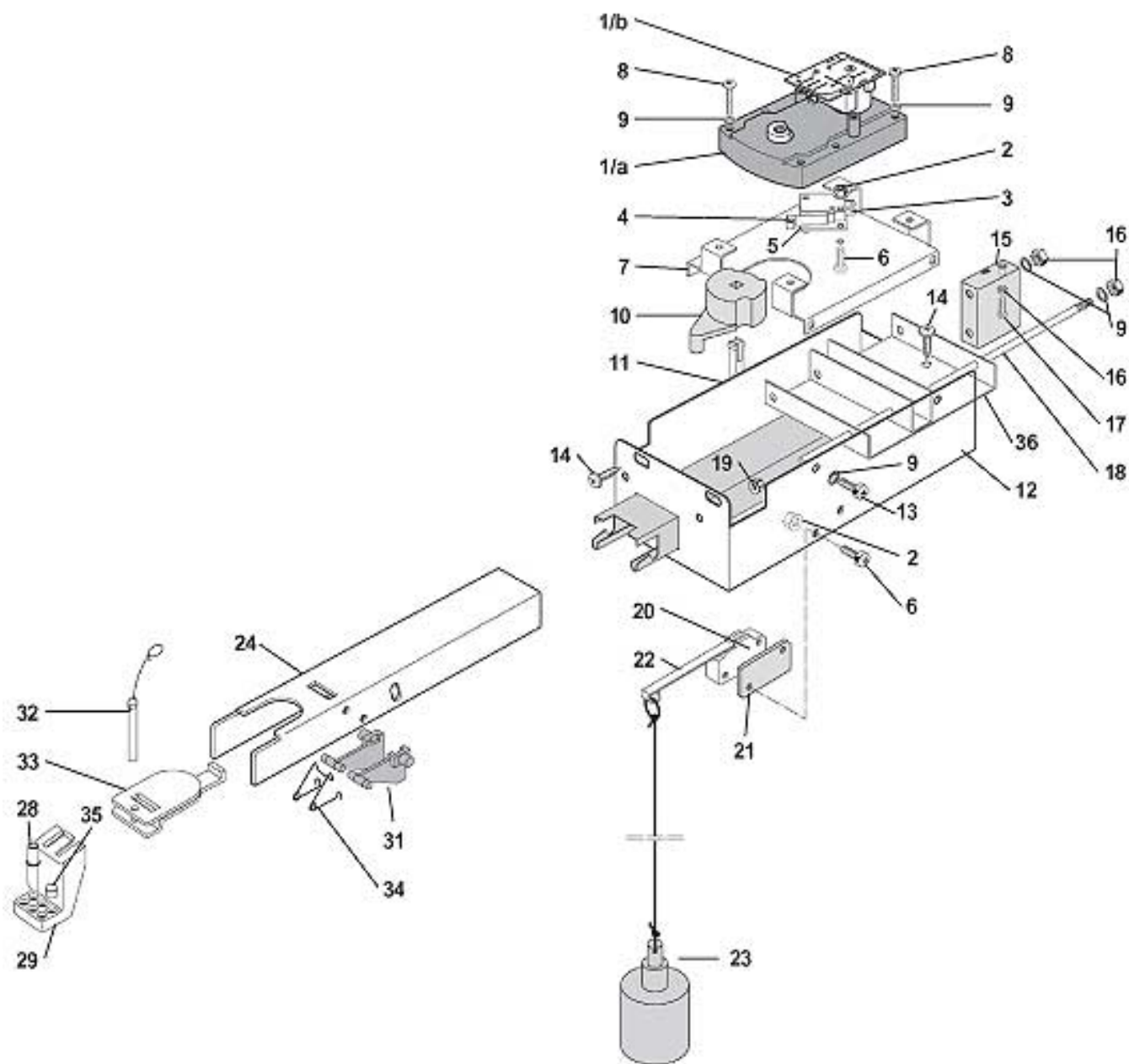


SAGOMA

SAGOMA - mixers

| Pos. Code | Description |
|------------------|---|
| 1 0080100005 | MOTOR MIXER BASE |
| 2 0080100015 | MIXER BUSH |
| 3 GUA0000084 | OR 3131 |
| 4 0090003023 | MIXER MOTOR 24V DC SHAFT D.4 |
| 5 0080100024 | MIXER FAN |
| 6 0080100009IC | MIXER MOTOR SUPPORT RAL2011 |
| 7 0080100101 | MIXER SHAFT GASKET |
| 8 0080100011 | MIXER FAN |
| 9 VIT0002401 | SCREW ST HEAD CAP M3.5X9.5 |
| 10/a 0080200101L | MIXING BOWL L.W/H20 BREAKER |
| 10/b 0080200102R | MIXING BOWL R.W/H20 BREAKER |
| 10/c 0080200103C | MIXING BOWL F.W/H20 BREAKER |
| 11 0080100006IC | LOCK RING RAL2011 |
| 12 0080100018 | MIXER PLUG |
| 13 0080100013 | MIXER CONNECTOR |
| 14 GUA0000085 | OR 106 SILICON |
| 15 0080100022 | MIXING BOWL RING |
| 16 0080100131 | EXHAUST BODY |
| 17 TSIL07/11T | SILICON HOSE 7X11 |
| 18 TSIL06/09T | SILICON HOSE 6X9 |
| 19 0080027029 | TUBE REDUCER 2.5 |
| 20 0080100023IC | MIXER COVER RAL2011 |
| 100 0080100001R | Å§ MIXER BOWL BASE+MOTOR |
| 101 0080200101LR | Å§ MIX BOWL L.W/H20 B+LOCK RING Pos.10/a+11 |
| 102 0080200102RR | Å§ MIX BOWL R.W/H20 B+LOCK RING Pos.10/b+11 |
| 103 0080200103CR | Å§ MIX BOWL F.W/H20 B+LOCK RING Pos.10/c+11 |

SAGOMA - distribution pipes movement

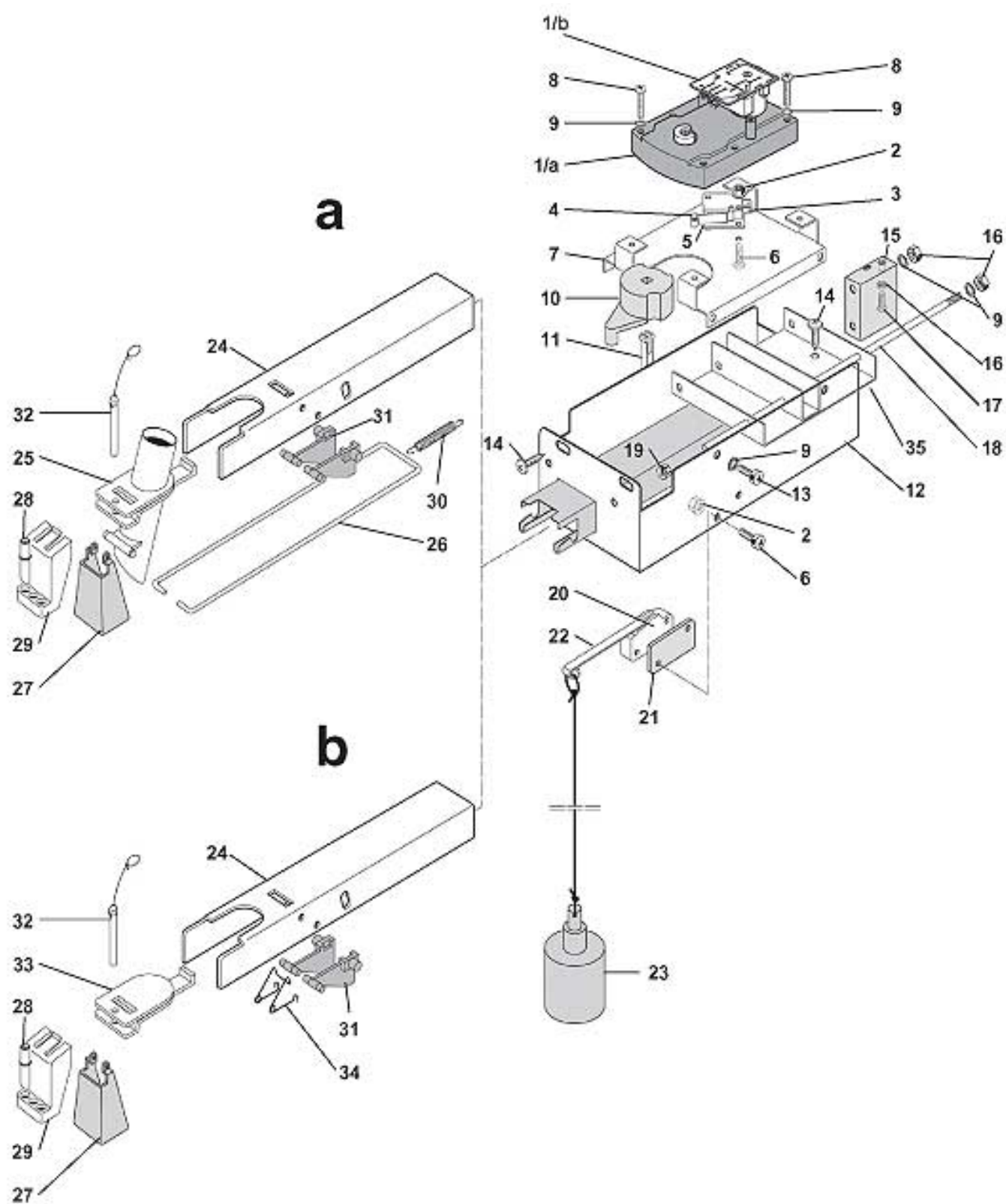


SAGOMA

SAGOMA - distribution pipes movement

| Pos. Code | Description |
|-----------|---|
| 1 | 0090002110R A\$ GEARBOX MOTOR 24RPM 24V DC For old electronic version |
| 1/a | 0090002109 GEAR MOTOR 24 RPM 24V DC For old electronic version |
| 1/b | SCH0004980 MOTORS STOPPER For old electronic version |
| 1 | 0090002115R A\$ GEARBOX MOTOR 11RPM 24V DC For new electronic version |
| 1/a | 0090002114R A\$ GEARBOX MOTOR 11RPM 24V DC For new electronic version |
| 1/b | SCH0004980 MOTORS STOPPER For new electronic version |
| 2 | VIT0004701 NUT M3 |
| 3 | ELE0001528 MICROSWITCH |
| 4 | ELE0001906 MICROSWITCH LEVER |
| 5 | 7500902054 ISOLATION |
| 6 | VIT0000006 SCREW HEAD TAP CAP M3X16 |
| 7 | 0380010436 GEARBOX MOTOR SUPPORT |
| 8 | VIT0000015 SCREW HEAD TAP CAP M4X25 |
| 9 | VIT0003105 SPRING WASHER 6,4 |
| 10 | 0380010508 MOTOR CAM |
| 11 | 0380010421 GEARBOX MOTOR SHAFT |
| 12 | 0380010492 SUGAR MOVEMENT STRUCTURE |
| 13 | VIT0002009 SCREW ST HEAD CAP M3.5X6.5 |
| 14 | VIT0002401 SCREW ST HEAD CAP M3.5X9.5 |
| 15 | |
| 16 | VIT0004503 NUT M4 |
| 17 | |
| 18 | 0380010411 NOZZLE HOLDER GUIDE SHAFT |
| 19 | 0380010534 BUSH |
| 20 | ELE0001528 MICROSWITCH |
| 21 | 4600010014 SPACER |
| 22 | NL201106265 MICRO LEVER |
| 23 | 0070020038CL A\$ WASTE FLOAT |
| 24 | 0380010542 NOZZLE HOLDER |
| 25 | |
| 26 | |
| 27 | |
| 28 | 0380010657NA ESPRESSO NOZZLE D.5.7 (BLACK) |
| 29/a | 0380010491 PRODUCT PIPES SUPPORT / 3 |
| 29/b | 0380010655NA/L NOZZLES HOLDER |
| 30 | |
| 31 | 0380010599 NOZZLE MOVEMENT BUTTON |
| 32 | 0380010429CL A\$ FIXING PLATE PIN |
| 33 | 0380010459NA NOZZLE SUPPORT PLATE BLACK |
| 34 | 0380010629 SPRING |
| 35 | 0380010656NA PLUG BLACK |
| 36 | 0380010531 PIPE SUPPORT GUIDE |
| 37 | 0380010623 PIPE SUPPORT GUIDE |
| 38 | 0380010632NA NOZZLE MOVEMENT COVER |
| 100 | 0380010454CL A\$ NOZZLE MOVEMENT |
| 101 | 0380010456CL A\$ NOZZLE MOVEMENT |

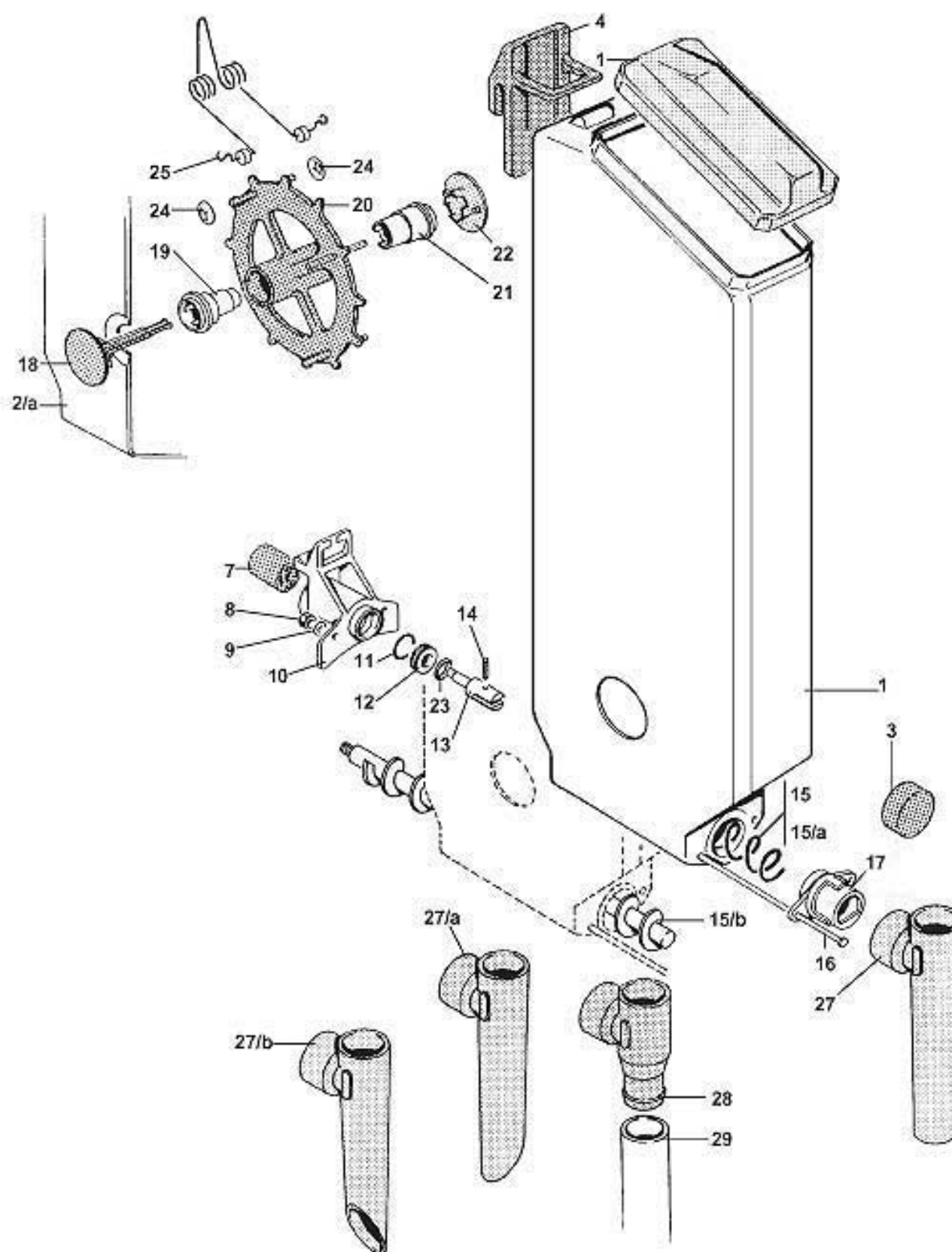
SAGOMA - distribution pipes movement



SAGOMA

SAGOMA - distribution pipes movement

| Pos. Code | Description |
|-----------|---|
| 1 | 0090002110R A\$ GEARBOX MOTOR 24RPM 24V DC For old electronic version |
| 1/a | 0090002109 GEAR MOTOR 24 RPM 24V DC For old electronic version |
| 1/b | SCH0004980 MOTORS STOPPER For old electronic version |
| 1 | 0090002115R A\$ GEARBOX MOTOR 11RPM 24V DC For new electronic version |
| 1/a | 0090002114R A\$ GEARBOX MOTOR 11RPM 24V DC For new electronic version |
| 1/b | SCH0004980 MOTORS STOPPER For new electronic version |
| 2 | VIT0004701 NUT M3 |
| 3 | ELE0001528 MICROSWITCH |
| 4 | ELE0001906 MICROSWITCH LEVER |
| 5 | 7500902054 ISOLATION |
| 6 | VIT0000006 SCREW HEAD TAP CAP M3X16 |
| 7 | 0380010436 GEARBOX MOTOR SUPPORT |
| 8 | VIT0000015 SCREW HEAD TAP CAP M4X25 |
| 9 | VIT0003003 WASHER 4.3X8X0.8 |
| 10 | 0380010508 MOTOR CAM |
| 11 | 0380010421 GEARBOX MOTOR SHAFT |
| 12 | 0380010492 SUGAR MOVEMENT STRUCTURE |
| 13 | VIT0002009 SCREW ST HEAD CAP M3.5X6.5 |
| 14 | VIT0002401 SCREW ST HEAD CAP M3.5X9.5 |
| 15 | |
| 16 | VIT0004503 NUT M4 |
| 17 | |
| 18 | 0380010411 NOZZLE HOLDER GUIDE SHAFT |
| 19 | 0380010534 BUSH |
| 20 | ELE0001528 MICROSWITCH |
| 21 | 4600010014 SPACER |
| 22 | NL201106265 MICRO LEVER |
| 23 | 0070020038CL A\$ WASTE FLOAT |
| 24 | 0380010542 NOZZLE HOLDER |
| 25 | 0380011229NA SUGAR CHUTE (BLACK) |
| 26 | 0380010433 BRACKET |
| 27 | 0380010424NA SUGAR SPLITTER |
| 28 | 0380010657NA ESPRESSO NOZZLE D.5.7 (BLACK) |
| 29/a | 0380010491 PRODUCT PIPES SUPPORT / 3 |
| 29/b | 0380010655NA/L NOZZLES HOLDER |
| 30 | 0380010431 SPRING |
| 31 | 0380010599 NOZZLE MOVEMENT BUTTON |
| 32 | 0380010429CL A\$ FIXING PLATE PIN |
| 33 | 0380010459NA NOZZLE SUPPORT PLATE BLACK |
| 34 | 0380010629 SPRING |
| 35 | 0380010531 PIPE SUPPORT GUIDE |
| 36 | 0380010632NA NOZZLE MOVEMENT COVER |
| 37 | 0380010623 PIPE SUPPORT GUIDE |
| 38 | 0380010632NA NOZZLE MOVEMENT COVER |
| 100 | 0380010436CL A\$ NOZZLE MOVEMENT |
| 101 | 0380010438CL A\$ NOZZLE MOVEMENT For old electronic version |

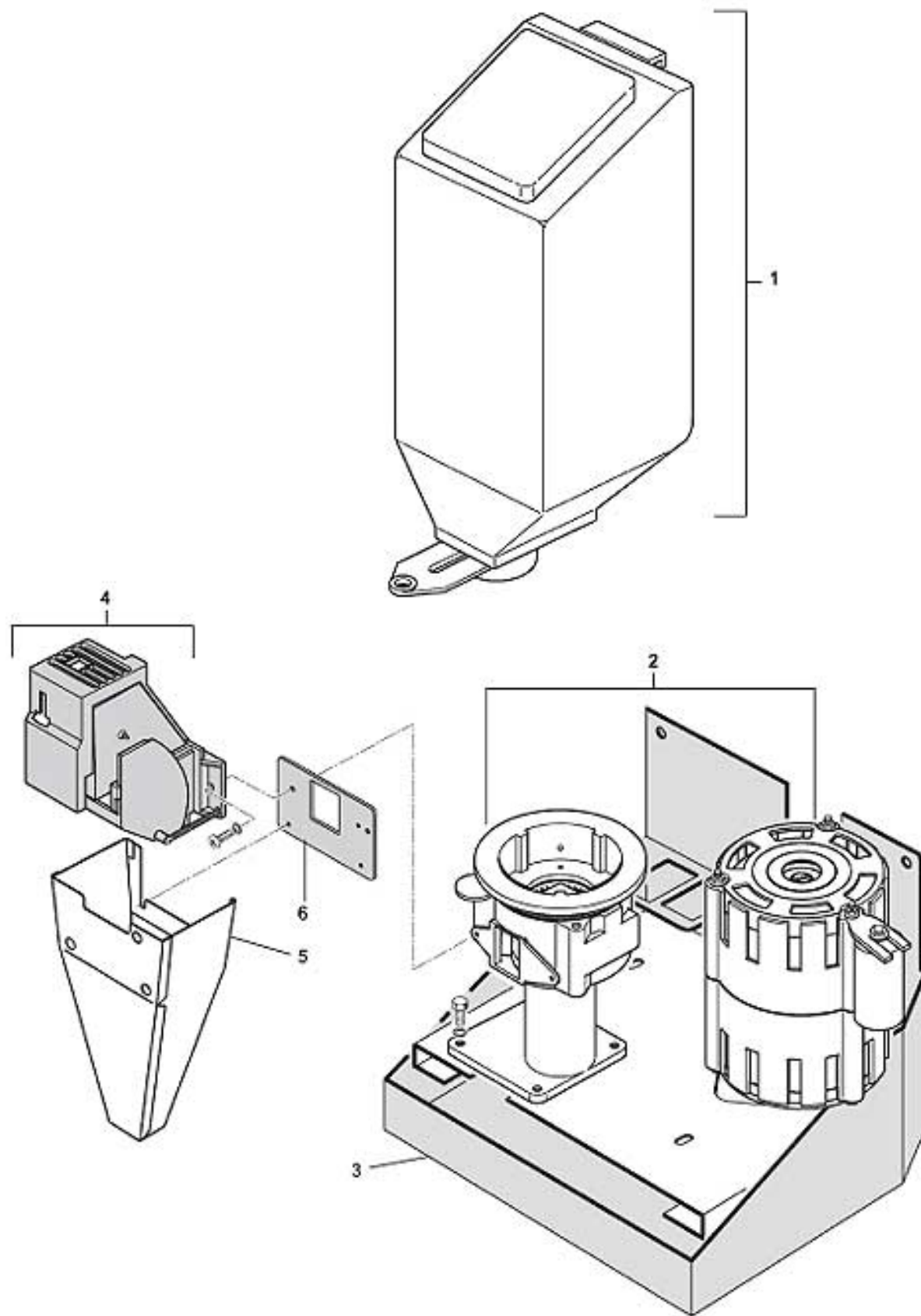


SAGOMA

SAGOMA - products container

| Pos. Code | Description |
|--------------------|---------------------------------|
| 1/a 70003001AR | Â§ CANISTER "A"+LID |
| 1/b 70003001BR | Â§ CANISTER "B"+LID |
| 3 4002050109AD | INGREDIENT CHUTE PLUG |
| 4 70003003 | FIX PLATE |
| 7 0230012012 | SQUARED PINION |
| 8 VIT0004803 | NUT M4 |
| 9 VIT0003202 | WASHER 4,3X9X0,8 |
| 10 70003006 | REAR BUSH |
| 11 GUA0000015 | OR 119 |
| 13 0230012006 | SPIRAL WITH FLANGE |
| 14 VIT0005106 | SPRING PIN 2X14 |
| 15/a 70003016 | SPIRAL 18 |
| 15/b 0230024009 | SPIRAL 9 |
| 16 70003010 | BUSH CONNECTOR |
| 17/a 70003008 | FRONT BUSH |
| 17/b 70003007 | FRONT BUSH |
| 17/c 0230012025 | FRONT BUSH-REDUCED TRANSITION |
| 18 70003028 | PIN |
| 19 70003027 | BUSH |
| 20 70003012 | WHEEL (PLASTIC) |
| 21 70003026 | BUSH |
| 22 70003029 | DISK |
| 24 VIT0007102 | BENZING CLIP |
| 25 11837 | PRODUCT AGITATOR |
| 27 4001003072/20 | Â§ INGRED. CHUTE-FRONTAL 125MM |
| 27/a 4001003072/22 | Â§ INGREDIENT CHUTE-LEFT 155MM |
| 27/b 4001003072/21 | Â§ INGREDIENT CHUTE-RIGHT 155MM |
| 28 0230016024 | SUGAR CHUTE |
| 29 TSIL14/20T | SILICON HOSE 14X20 |
| 100 0230016006R | Â§ CANISTER SPIRAL 9 |
| 101 0230017007R | Â§ CANISTER WHEEL 9 |
| 102 0230017008R | Â§ CANISTER WHEEL 18 |
| 103 0230018009R | Â§ CANISTER AGITATOR 18 |
| 104 0230015100CL | Â§ COFFEE BEANS HOPPER |
| 105 0230019006R | Â§ CANISTER AGITATOR 18-THE |
| 106 0230019005R | Â§ CANISTER AGITATOR 9-THE |

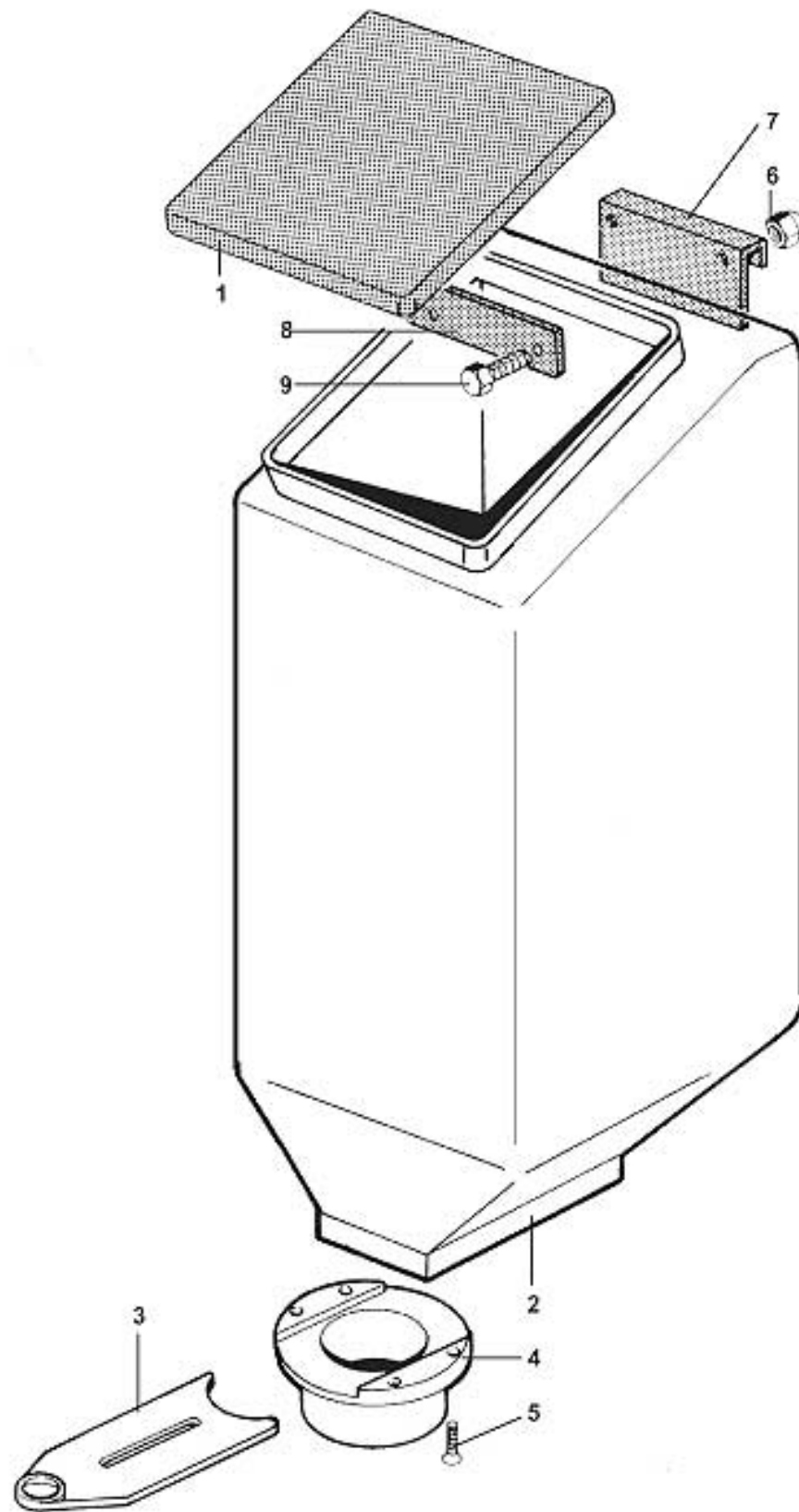
SAGOMA - container batcher grinder group



SAGOMA

SAGOMA - container batcher grinder group

| Pos. Code | Description |
|----------------|-------------------------------------|
| 1 | See table coffee beans container |
| 2 | See table grinder- batcher + engine |
| 3 0320004073 | GROUP HOUSING |
| 4 0350003110CL | Å§ BATCHER 24V DC |
| 5 0320004087 | COFFEE POWDER CHUTE |
| 6 0320004083 | COFFEE POWDER CHUTE PLATE |

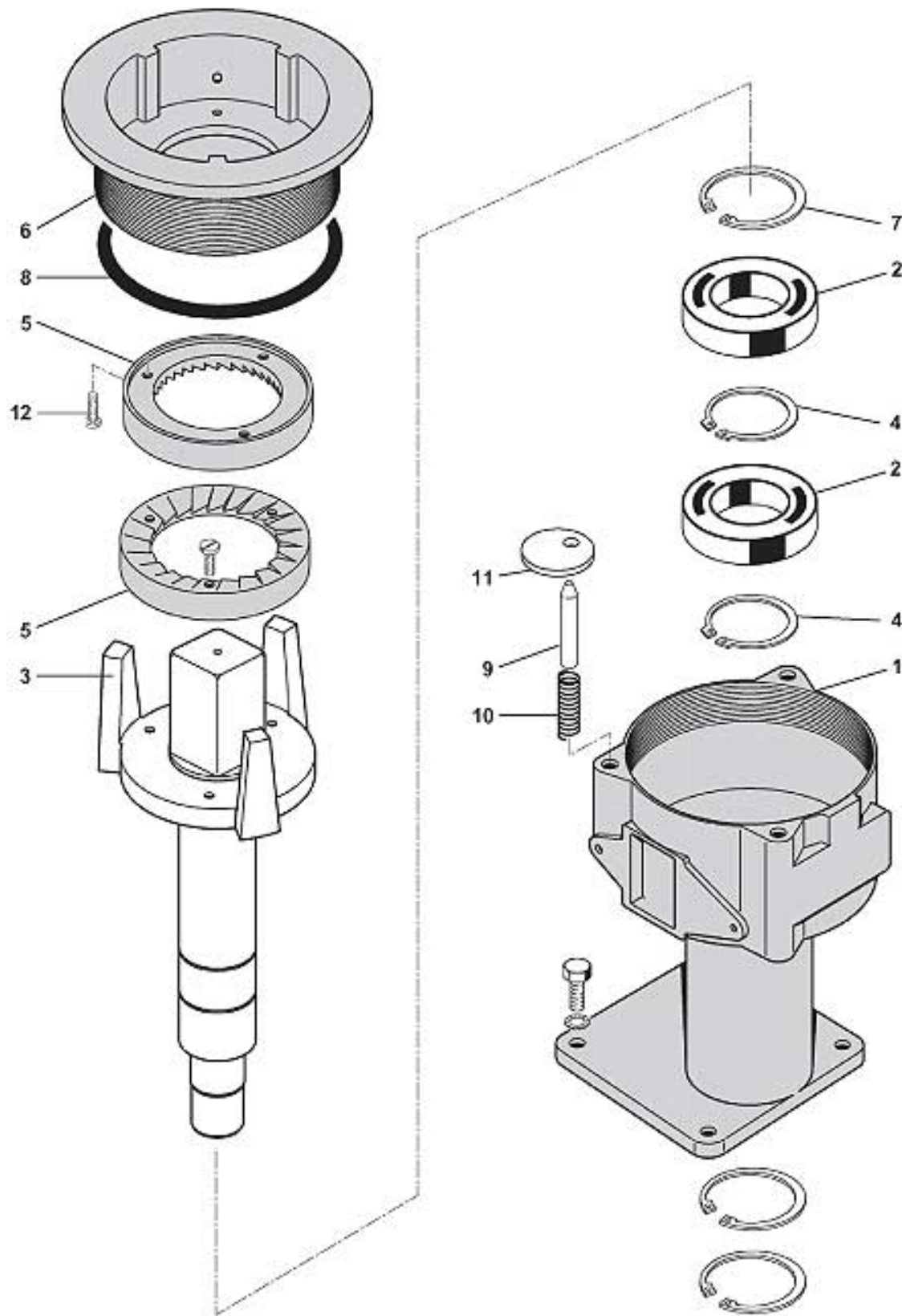


SAGOMA

SAGOMA - coffee beans container

| Pos. Code | Description |
|------------------|-------------------------------|
| 1 0230015057 | COFFEE BEANS HOPPER LID |
| 2 0230015082 | COFFEE BEANS HOPPER |
| 3 4001002077 | COFFEE CONTAINER BLADE |
| 4001002077NA | COFFEE CONTAINER BLADE BLACK |
| 4/a 0230015066NA | COFFEE BEANS HOPPER STOPPER |
| 4/b 4600002076 | COFFEE CONTAINER BOTTOM |
| 4600002076NA | COFFEE CONTAINER BOTTOM BLACK |
| 5 VIT0002101 | SCREW COUNT FLAT HEAD M3.5X13 |
| 6 VIT0004815 | NUT M4 |
| 7 0230015081 | COFFEE BEANS HOPPER SUPPORT |
| 8 0230015037 | COFFEE BEANS HOPPER PLATE |
| 9 VIT0000234 | SCREW HEX HEAD M4X12 |
| 100 0230015080R | ÅS COFFEE BEANS HOPPER |

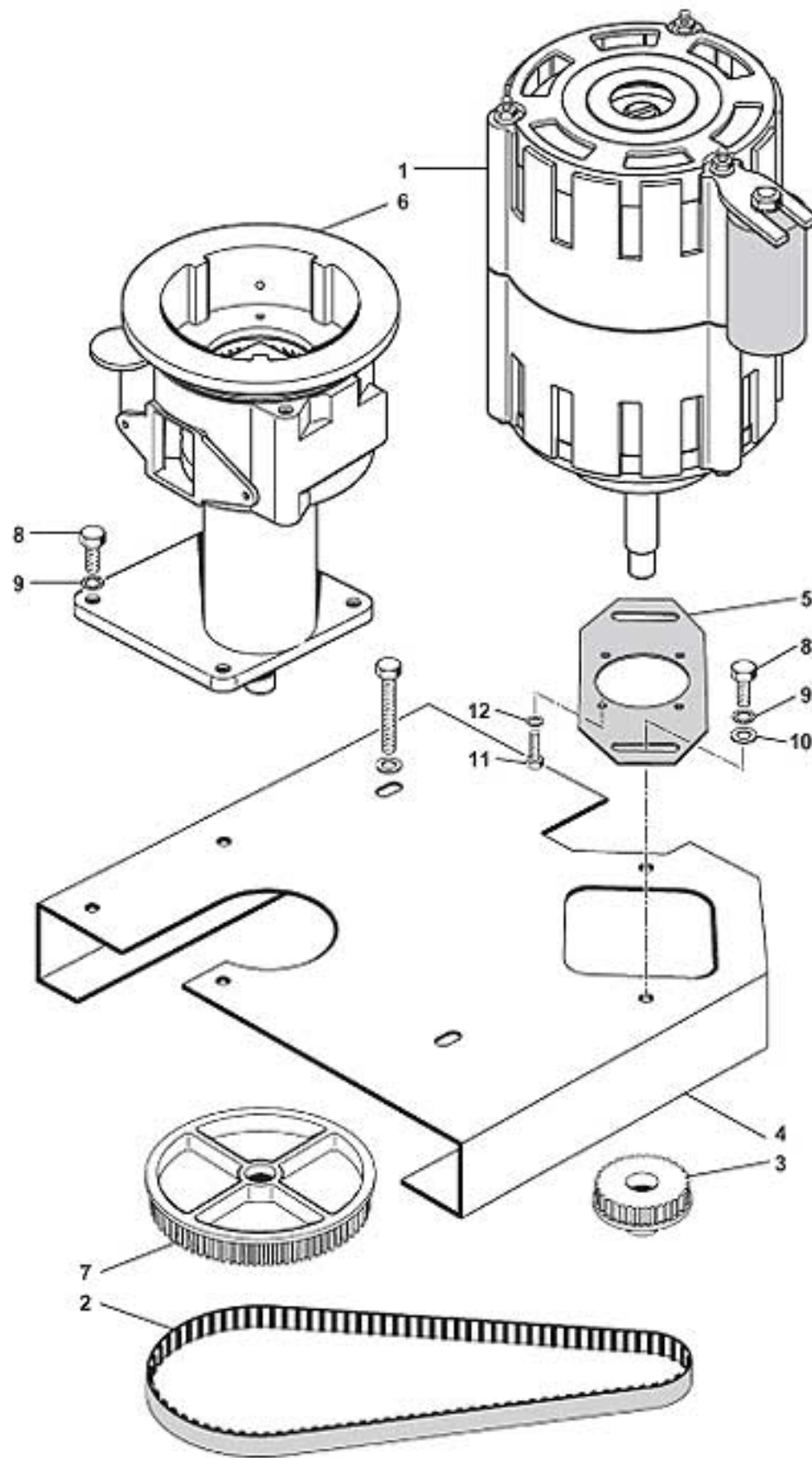
SAGOMA - GRUPPO MACININO VERTICALE SENZA PULEGGIA



SAGOMA

SAGOMA - GRUPPO MACININO VERTICALE SENZA PULEGGIA

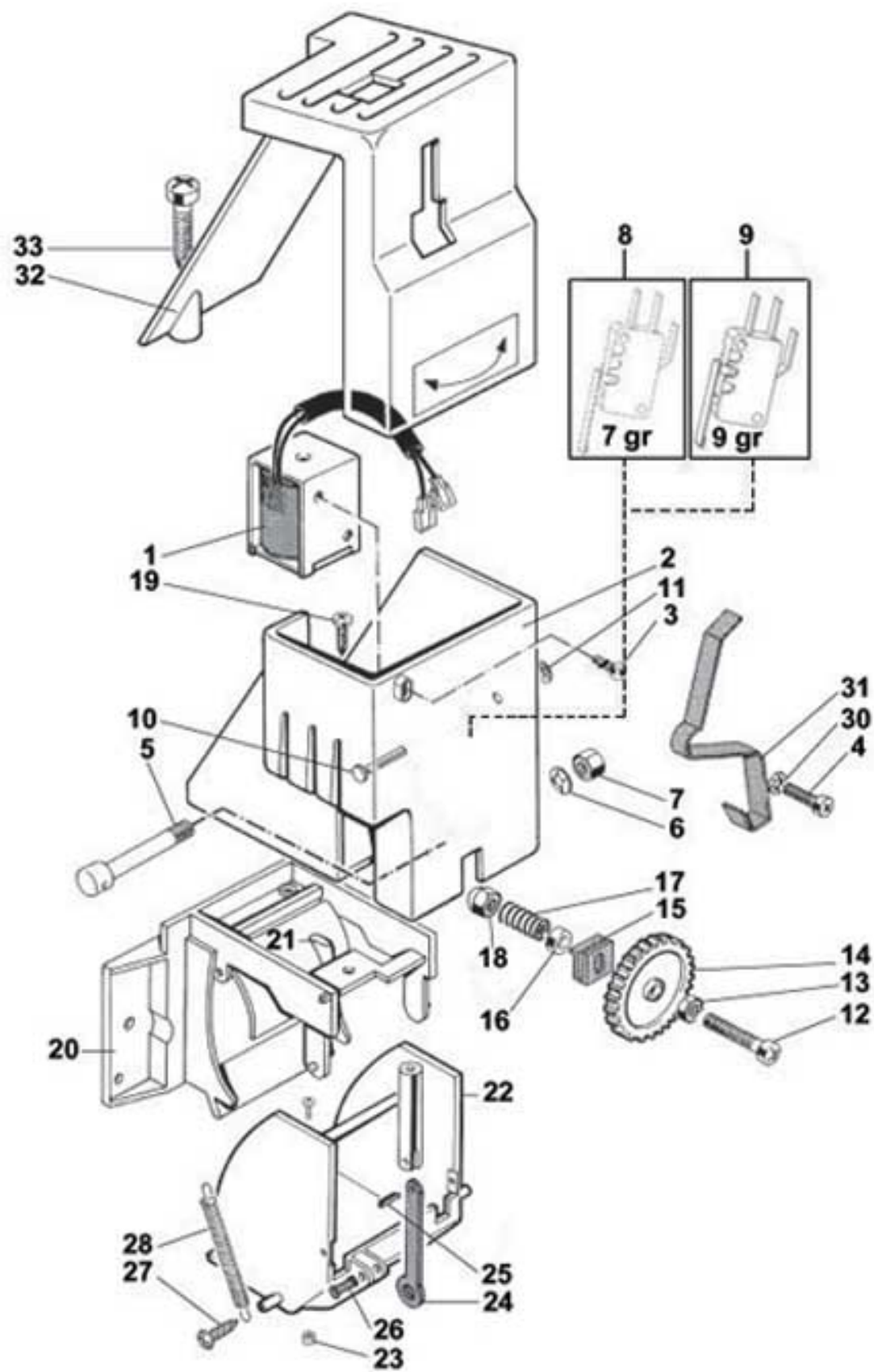
| Pos. Code | Description |
|------------------|--------------------------|
| 1 0320004006 | GRINDER BODY |
| 2 VIT0009301 | BEARING |
| 3 0320004015 | LOWER GRINDER SUPPORT |
| 4 VIT0006651 | RING |
| 5 0090003015 | GRINDER RING 169 S |
| 6 0320002004 | UPPER GRINDER SUPPORT |
| 7 VIT0006602 | RING |
| 8 GUA0000090 | OR 3268 |
| 9 0320002011 | PIN |
| 10 270001023 | SPRING |
| 11 0320002010 | PLATE |
| 12 VIT0000024 | SCREW HEAD FLAP CAP M4X8 |
| 100 0320004020CL | ÅS GRINDER |



SAGOMA

SAGOMA - grinder- batcher + engine

| Pos. Code | Description |
|------------------|----------------------|
| 1 0090003016 | MOTOR 150-40 220V |
| 2 0090006003 | TOOTHED BELT |
| 3 0320004055 | GRINDER PULLEY |
| 4 0320004075 | MILL MOTOR SUPPORT |
| 5 0320004076 | SETTING PLATE |
| 6 0320004020CL | AŞ GRINDER |
| 7 0320004022 | GRINDER PULLEY |
| 8 VIT0000213 | SCREW HEX HEAD M6X12 |
| 9 VIT0003105 | SPRING WASHER 6,4 |
| 10 VIT0003005 | WASHER 6,4X12X1,6 |
| 11 VIT0000205 | SCREW HEX HEAD M4X10 |
| 12 VIT0003103 | SPRING WASHER 4,3 |
| 100 0320004070CL | AŞ GRINDER+MOTOR |

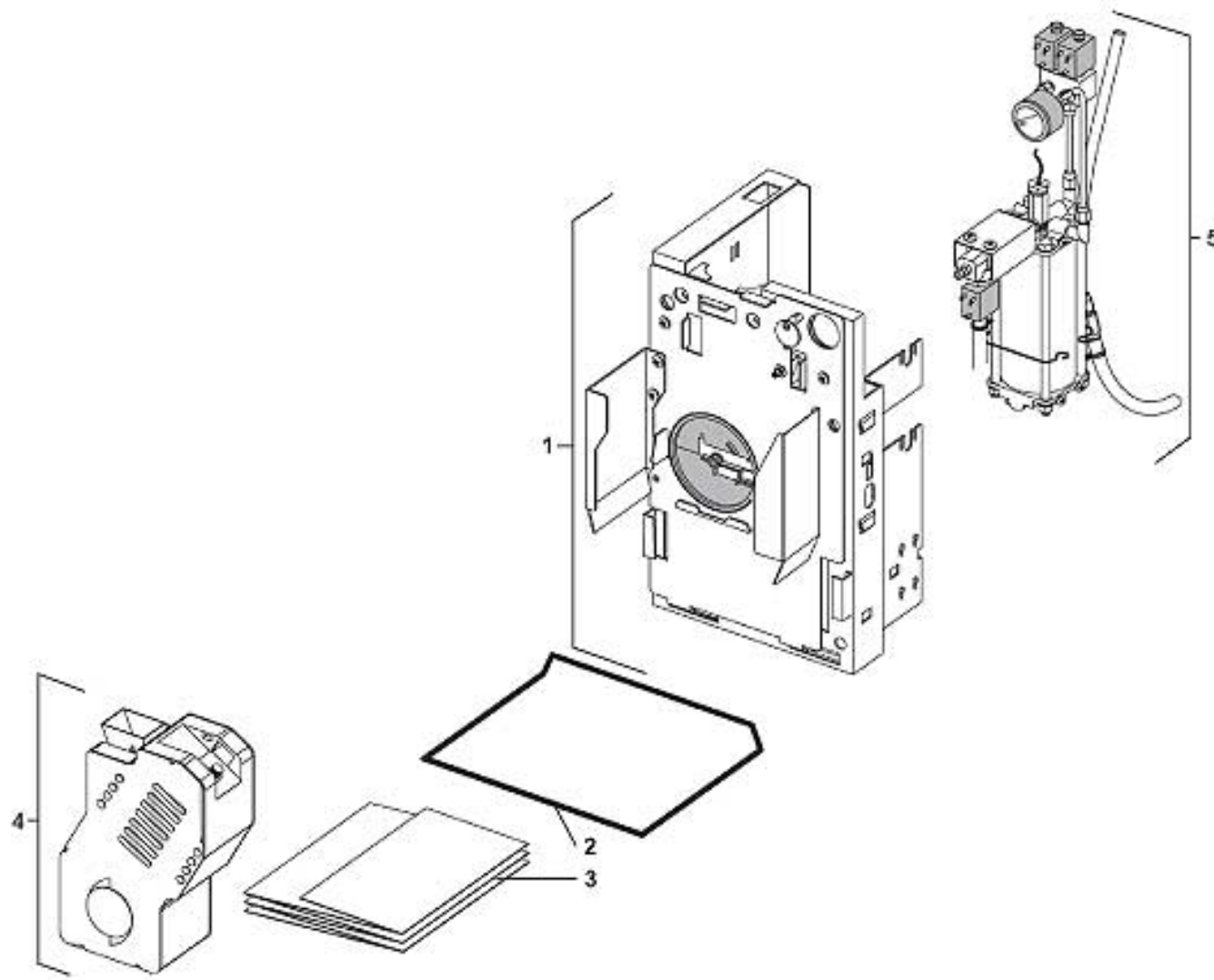


SAGOMA

SAGOMA - pl batcher with 24 v ac setting

| Pos. Code | Description |
|------------------|--------------------------------------|
| 1 ELE000056R | ELECTROMAGNET 24V DC |
| 2 0350003136 | ELECTROMAGNET SUPPORT |
| 0350003136NA | ELECTROMAGNET SUPPORT BLACK |
| 3 VIT0000028 | M 3x14 TCB SCREW |
| 4 VIT0000005 | SCREW HEAD TAP CAP M3X12 |
| 5 0350003114 | PIN |
| 6 VIT0009161 | D.3.2 x 8 x 0.4 SPRING |
| 7 VIT0004814 | NUT M3 |
| 8 0350003112R | MICROSWITCH 7GR |
| 9 0350003312R | MICROSWITCH 9GR |
| 10 0350003112 | PIN |
| 11 VIT0007101 | BENZING CLIP |
| 12 VIT0000009 | SCREW HEAD TAP CAP M3X30 |
| 13 VIT0004502 | NUT M3 |
| 14 0350003113 | WHEEL |
| 0350003113NA | WHEEL BLACK |
| 15 0350003122 | LOCKNUT |
| 16 7500102053 | SPACER |
| 17 0350003115 | SPRING |
| 18 VIT0004813 | NUT M3 |
| 19 VIT0002011 | SCREW ST HEAD CAP M2.9X9.5 |
| 20 0350003105NA | DOSER BODY (BLACK) |
| 21/a 0350003106 | BLADE Up to serial 04539999 |
| 21/b 0350003314 | PIN From serial 05010001 |
| 0350003314NA | PIN From serial 05010001 BLACK |
| 22 0350003301NA | COFFEE FEEDER (BLACK) |
| 23 0350003302 | AGITATOR |
| 24 0350003126NA | ELECTROMAGNET CONNECTING ROD (BLACK) |
| 25 VIT0005105 | PIN 2X10 |
| 26 0350003111 | PIN |
| 0350003111NA | PIN BLACK |
| 27 VIT0002001 | SCREW ST HEAD CAP M2.9X6.5 |
| 28 0350003129 | SPRING |
| 29 | |
| 30 VIT0003102 | SPRING WASHER 3,2 |
| 31 0350003124 | BATCHER SPRING |
| 32 0350003128 | COVER |
| 33 VIT0002469 | SCREW HEAD TAP M3.5X10 |
| 100 0350003110CL | Å§ BATCHER 24V DC |
| 101 0350003310CL | Å§ BATCHER 24V DC |

SAGOMA - boiler - micro coffee group housing

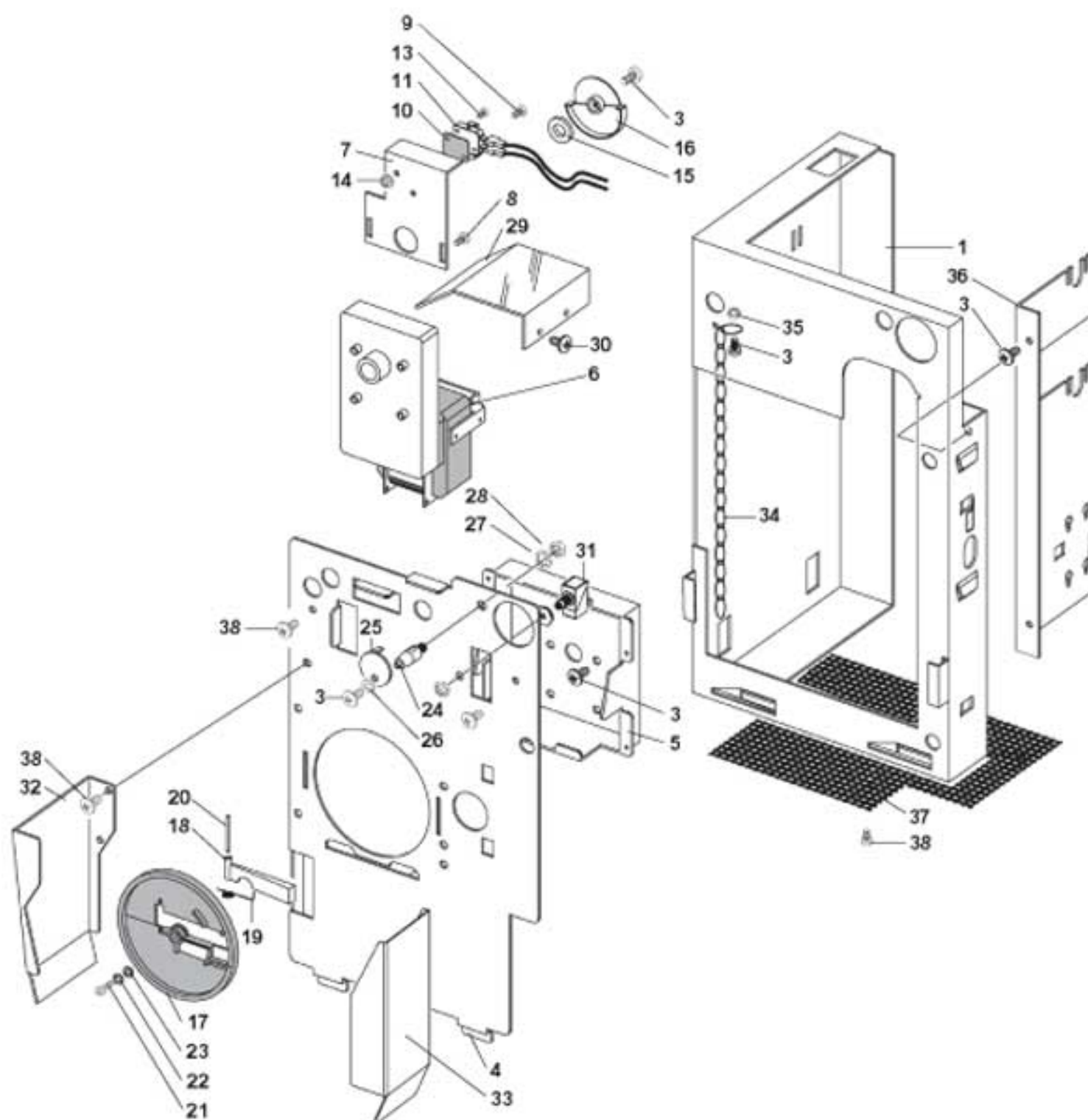


SAGOMA

SAGOMA - boiler - micro coffee group housing

| Pos. Code | Description |
|--------------|--------------------------------------|
| 1 | See table micro coffee group housing |
| 2 0260005157 | GROUNDING COFFEE BAG SUPPORT |
| 3 IMB0000054 | BAG MM400X1000 SP.0,5 |
| 4 | See table micro coffee group |
| 5 | See table mm 150 micro group boiler |
| 6 | See table mm 195 micro group boiler |

SAGOMA - micro coffee group housing



SAGOMA

SAGOMA - micro coffee group housing

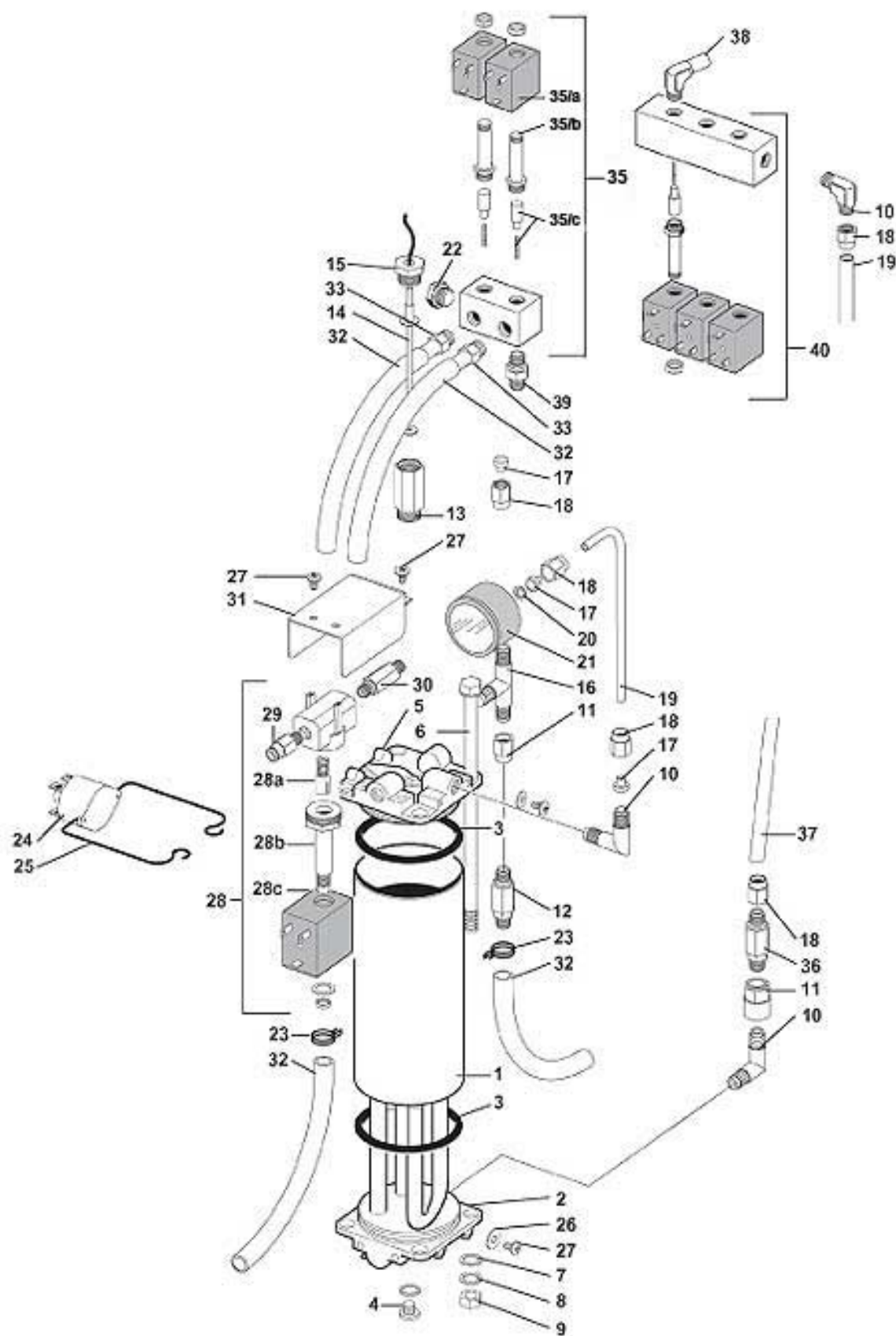
| Pos. Code | Description |
|-------------------|---|
| 1 0260010231 | HOUSING STRUCTURE |
| 0260010231CK | HOUSING STRUCTURE DUST GREY RAL 7037 |
| 2 0260005156 | MILL SECURING CLIP |
| 3 VIT0000030 | SCREW HEAD TAP CAP M4X7 |
| 4 0260010217 | G.M.S. SUPPORT FRONT |
| 5 0260010102CK-06 | MICRO GROUP MOTOR SUPPORT (GREY RAL 7037) |
| 6 0090002186 | GEAR MOTOR 8.5 RPM 220/50 |
| 7 0250008093 | MICRO PLATE |
| 8 0250008092 | M4 SPECIAL SCREW |
| 9 VIT0005521 | SCREW HEX HEAD REC TAP M4X25 |
| 10 4600010014 | SPACER |
| 11 ELE0001529 | MICROSWITCH WITH LEVER |
| 13 VIT0000006 | SCREW HEAD TAP CAP M3X16 |
| 14 VIT0004701 | NUT M3 |
| 15 0250008091 | SPACER |
| 16 0250008043 | MICRO GROUP READER DISK |
| 17 0250008012 | MOTOR CRANK |
| 18 0250008034 | HOOKING LEVER |
| 19 0250008059 | SPRING |
| 20 VIT0005205 | DOWEL PIN 4X40 |
| 21 VIT0005508 | SCREW HEX HEAD REC TAP M4X12 |
| 22 VIT0003103 | SPRING WASHER 4,3 |
| 23 VIT0003003 | WASHER 4,3X8X0,8 |
| 24 0260010103 | MICRO GROUP HOOKING BLOCK |
| 25 0010020132 | FIXING PLATE |
| 26 VIT0003301 | WASHER 4,3X12X1,5 |
| 27 VIT0003105 | SPRING WASHER 6,4 |
| 28 VIT0004505 | NUT M6 |
| 29 0260005161 | MOTOR PROTECTION |
| 30 VIT0002011 | SCREW ST HEAD CAP M2.9X9.5 |
| 31 ELE0001506 | MICROSWITCH |
| 32 0260010207 | COFFEE POWDERS CHUTE |
| 0260010207CK | COFFEE POWDERS CHUTE DUST GREY RAL 7037 |
| 33 0260010112 | GROUND'S CHUTE |
| 34 VIT0010102 | D. 1.6 CHAIN |
| 35 VIT0004503 | NUT M4 |
| 36 0260010218 | BOILER BRACKET |
| 37 0260010229 | G.M.S. HOUSING LOWER PROTECTION |
| 38 VIT0002401 | SCREW ST HEAD CAP M3.5X9.5 |
| 39 0260010243 | DISCHARGED PIPES CAM |
| 100 KIT0090002186 | KIT MOTOR MICRO BREWER UPDATE |

SAGOMA

SAGOMA - boiler

| Pos. Code | Description |
|-----------|---|
| 1 | 0600012619R AS WATER TANK |
| 2 | 0600012621 H2O TANK LID W/SPRING |
| 3 | 0600012622 HEATING ELEMENT 1650 W 230 V |
| 4 | 0600012624 HEATING ELEMENT GASKET |
| 5 | GUA00010551 ELECTRICAL GROMMET |
| 6 | ELE0000907 CLIXON 165 A°C |
| 7 | 0600012312 THERMOSTAT SUPPORT |
| 8 | VIT0003203 WASHER 5,3X10X1 |
| 9 | VIT0004804 NUT M5 |
| 10 | 0600012626 PROBE GUIDE |
| 11 | NL202101016 PROBE HOLDER |
| 12 | GUA0000069 OR 2015 VITON |
| 13 | 0600011107 PROBE NUT |
| 14 | ELE0000958R1 AS TEMPERATURE PROBE |
| 15 | VIT0001105 SCREW HEX HEAD M3X8 |
| 16 | 0600015223 PROBE SUPPORT |
| 17 | 0600015208 NUT |
| 18 | 0110001098 VALVE 2W 24V DC |
| 19/a | 0600015224 H2O LEVEL PROBE 130 MM |
| 19/b | 0600015225 H2O LEVEL PROBE 112 MM |
| 20 | GUA0000069 OR 2015 VITON |
| 21 | GUA0000062 OR 2056 VITON |
| 22 | 0600012315 GASKET |
| 23 | 0110001095 24DC 70% 2-WAY SOLENOID VALVE O. Up to serial 04219999 |
| 23/a | 01100010127 GASKET FOR VALVE 0110001095 Up to serial 04219999 |
| 23 | 0110001108 VALVE 2W 24V DC From serial 04220001 |
| 23/a | 01100010132 GASKET FOR EV 0110001108 From serial 04220001 |
| 23/b | 01100010133 CORE FOR EV. 0110001108 From serial 04220001 |
| 24 | TSIL07/11T SILICON HOSE 7X11 |
| 25 | TSIL14/20T SILICON HOSE 14X20 |
| 26 | FASC000106 CLAMP |
| 27 | 0600012316 NOZZLE |
| 28 | ELE0000908 CLIXON 80 A°C |
| 29 | ELE0000914 BRACKET |
| 30 | VIT0000004 SCREW HEAD TAP CAP M3X10 |
| 31 | VIT0004502 NUT M3 |
| 32 | FASC000104 CLAMP |
| 33 | 0100003007 T CONNECTOR 463 TS |
| 33/a | 0600012324 H2O PIPE REDUCTION |
| 33/b | 0600012325 WATER INLET PIPE REDUCTION |
| 34 | TSIL04/06T SILICON HOSE 4X6 |
| 35 | FASC000006 HOSE SCREW CLAMP |
| 36 | NL201106295 DRAINER PLUG |
| 37 | NL202100059 PIN |
| 38 | VIT0003302 WASHER 5,5X15X1,6 |
| 39 | VIT0004504 NUT M5 |
| 40 | FASC000102 CLAMP |
| 41 | GUA0000063 OR 4412 SILICON |
| 42 | TSIL10/14T SILICON HOSE 10X14 |
| 43 | 0810004027 PIPE WITH HEATING ELEMENT FOR INSTANT COFFEE |
| 44 | 0600012627CL CONNECTOR |
| 45 | GUA0000016 OR 121 |
| 46 | 0600012628 OUTLET CONNECTOR |
| 47 | GUA0002006 GASKET 4979 W.132.013.008 |
| 100 | 0600012720CL AS BOILER 4VALVE 1650W 230V |
| 101 | 0600012721CL AS BOILER 4VALVE 1650W 230V |
| 102 | 0600012725CL AS BOILER 3VALVE 1650W 230V |
| 103 | 0600012726CL AS BOILER 3VALVE 1650W 230V |

SAGOMA - mm 150 micro group boiler



SAGOMA

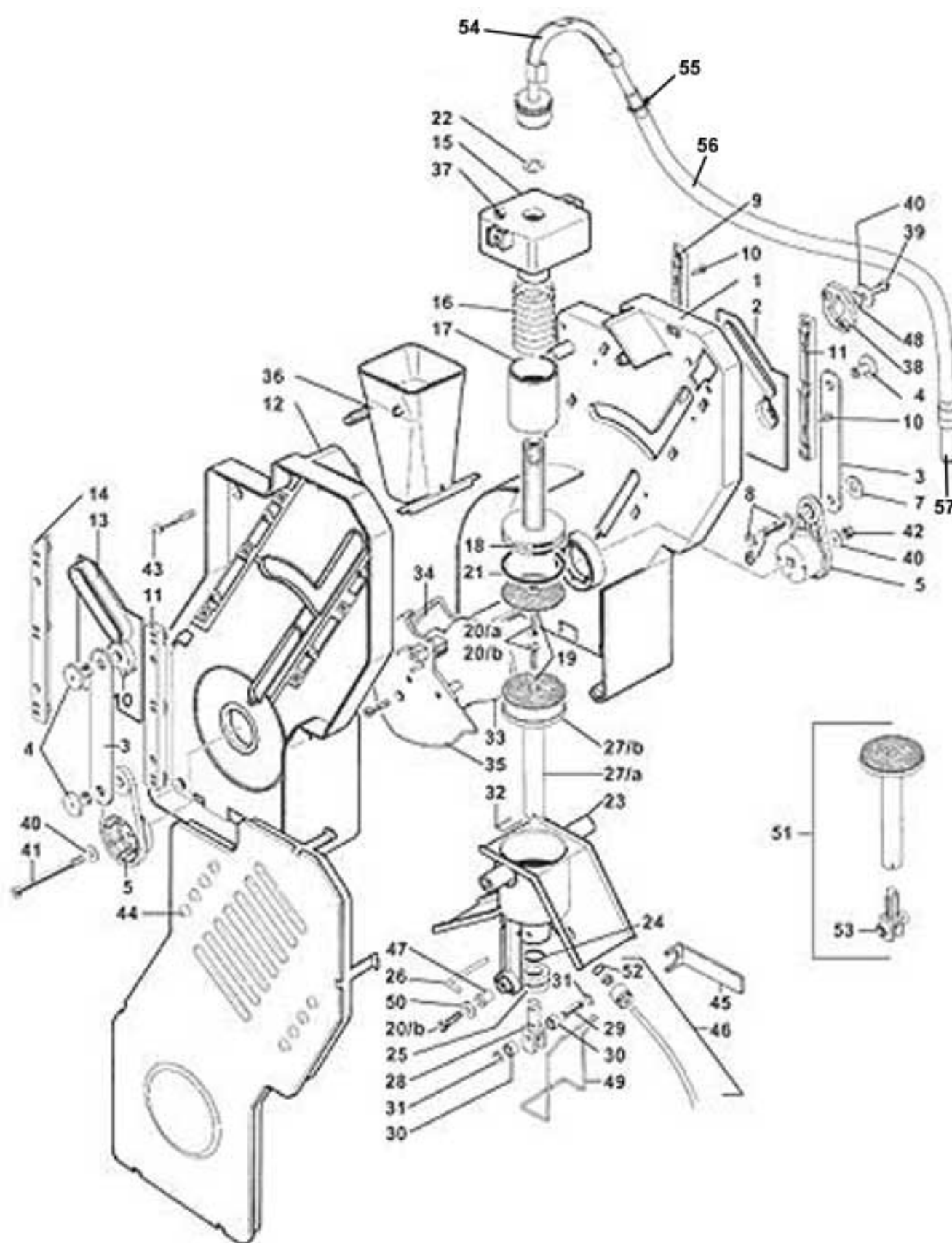
SAGOMA - mm 150 micro group boiler

| Pos. Code | Description |
|-----------------|--|
| 1 0600012514 | PRESS. WATER TANK 150MM |
| 2 0600012512 | FLANGE WITH 1100W 230 V HEATING ELEMENT It's part of kit 0600012512R |
| 3 GUA0000047 | OR 164 VITON |
| 4 0100001064 | PLUG + OR VITON 2043 |
| 5 0600012532 | FLANGE |
| 6 0600012515 | CONNECTOR |
| 7 VIT0003206 | WASHER 8,4X14X1,6 |
| 8 VIT0003402 | SPRING WASHER 8,4 |
| 9 VIT0004506 | NUT M8 |
| 10 0100001019 | ELBOW CONNECTOR SO2400-6-1/8 |
| 11 0100001007 | STRAIGHT CONNECT SO30-1/8-1/8 |
| 12 0110002003 | CHECK VALVE 1.1/8M O.1/8M |
| 13 0100003012 | PROBE CONNECTOR |
| 14 ELE0000970 | mm 500 BULB PROBE It's part of kit ELE0000970CL |
| 15 0600015507 | PROBE PLUG |
| 16 0100001030 | T CONNECTOR SO3700-6-1/8-6 |
| 17 0100002002 | LOCKING RING SO1-6 |
| 18 0100001002 | CONNECTOR NUT |
| 19 TCU0000002 | COPPER PIPE 6X4 |
| 20 0100003002 | COPPER GASKET SO5-5-1/8 |
| 21 0110006003 | MANOMETER |
| 22 4600020115 | PLUG |
| 23 FASC000102 | CLAMP |
| 24 ELE0009001 | CLIXON 120 Â°C |
| 25 250020087 | SPRING |
| 26 1600001098 | RUBBER SPACER D. 4.5 |
| 27 VIT0000030 | SCREW HEAD TAP CAP M4X7 |
| 28 0110001072 | VALVE 3W 1/8 24DC O |
| 28/a 0110010020 | AŞ CORE |
| 28/b 0110010035 | VALVE 3W SLEEVE |
| 28/c 0110010065 | COIL 8 W 24 DC |
| 29 0100001070 | STRAIGHT CONNECTOR 800 4-1/8 |
| 30 0600012658 | BOILER STRAIGHT CONNECTOR |
| 31 0600012659 | VALVE COVER |
| 32 TSIL07/111 | SILICON HOSE 7X11 |
| 33 2500001139 | STRAIGHT CONNECTOR |
| 35 0110001090 | VALVE BLOCK 2 VALVE 2W 24V DC |
| 35/a 0110010145 | COIL 6W 24V DC 70% |
| 35/b 0110010123 | VALVE 2W SLEEVE |
| 35/c 0110010124 | AŞ CORE |
| 36 0110002004 | VENT VALVE |
| 37 TIEF04/061 | PTFE PIPE 4X6 |
| 38 250020146 | ELBOW 1/8 |
| 39 0100001017 | STRAIGHT CONNECT SO1100-6-1/8 |
| 40 0110001079 | VALVE BLOCK 3 VALVE 2W 24V DC |
| 100 0600012530 | AŞ PRESS BOILER MM.150 |

SAGOMA

SAGOMA - mm 195 micro group boiler

| Pos. Code | Description |
|-----------|--|
| 1 | 250020078 PRESS. WATER TANK |
| 2 | 0600012519 FLANGE WITH 1400W 230 V HEATING ELEMENT |
| 3 | GUA0000047 OR 164 VITON |
| 4 | 0100001064 PLUG + OR VITON 2043 |
| 5 | 0600012532 FLANGE |
| 6 | 250020079 CONNECTOR |
| 7 | VIT0003206 WASHER 8,4X14X1,6 |
| 8 | VIT0003402 SPRING WASHER 8,4 |
| 9 | VIT0004506 NUT M8 |
| 10 | 0100001019 ELBOW CONNECTOR SO2400-6-1/8 |
| 11 | 0100001007 STRAIGHT CONNECT SO30-1/8-1/8 |
| 12 | 0110002003 CHECK VALVE 1.1/8M O.1/8M |
| 13 | 0100003012 PROBE CONNECTOR |
| 14 | ELE0000970 mm 500 BULB PROBE It's part of kit ELE0000970CL |
| 15 | 0600015507 PROBE PLUG |
| 16 | 0100001030 T CONNECTOR SO3700-6-1/8-6 |
| 17 | 0100002002 LOCKING RING SO1-6 |
| 18 | 0100001002 CONNECTOR NUT |
| 19 | TCU0000002 COPPER PIPE 6X4 |
| 20 | 0100003002 COPPER GASKET SO5-5-1/8 |
| 21 | 0110006003 MANOMETER |
| 22 | 4600020115 PLUG |
| 23 | FASC000102 CLAMP |
| 24 | ELE0009001 CLIXON 120 Â°C |
| 25 | 250020087 SPRING |
| 26 | 1600001098 RUBBER SPACER D. 4.5 |
| 27 | VIT0000030 SCREW HEAD TAP CAP M4X7 |
| 28 | 0110001072 VALVE 3W 1/8 24DC O |
| 28/a | 0110010020 AS CORE |
| 28/b | 0110010035 VALVE 3W SLEEVE |
| 28/c | 0110010065 COIL 8 W 24 DC |
| 29 | 0100001070 STRAIGHT CONNECTOR 800 4-1/8 |
| 30 | |
| 31 | 0600012661 VALVE COVER |
| 32 | TSIL07/111 SILICON HOSE 7X11 |
| 33 | 2500001139 STRAIGHT CONNECTOR |
| 35 | 0110001090 VALVE BLOCK 2 VALVE 2W 24V DC |
| 35/a | 0110010145 COIL 6W 24V DC 70% |
| 35/b | 0110010123 VALVE 2W SLEEVE |
| 35/c | 0110010124 AS CORE |
| 36 | 0110002004 VENT VALVE |
| 37 | TIEF04/061 PTFE PIPE 4X6 |
| 38 | 250020146 ELBOW 1/8 |
| 39 | 0100001017 STRAIGHT CONNECT SO1100-6-1/8 |
| 40 | 0110001079 VALVE BLOCK 3 VALVE 2W 24V DC |
| 100 | 0600012540 AS PRESS BOILER MM.195 |

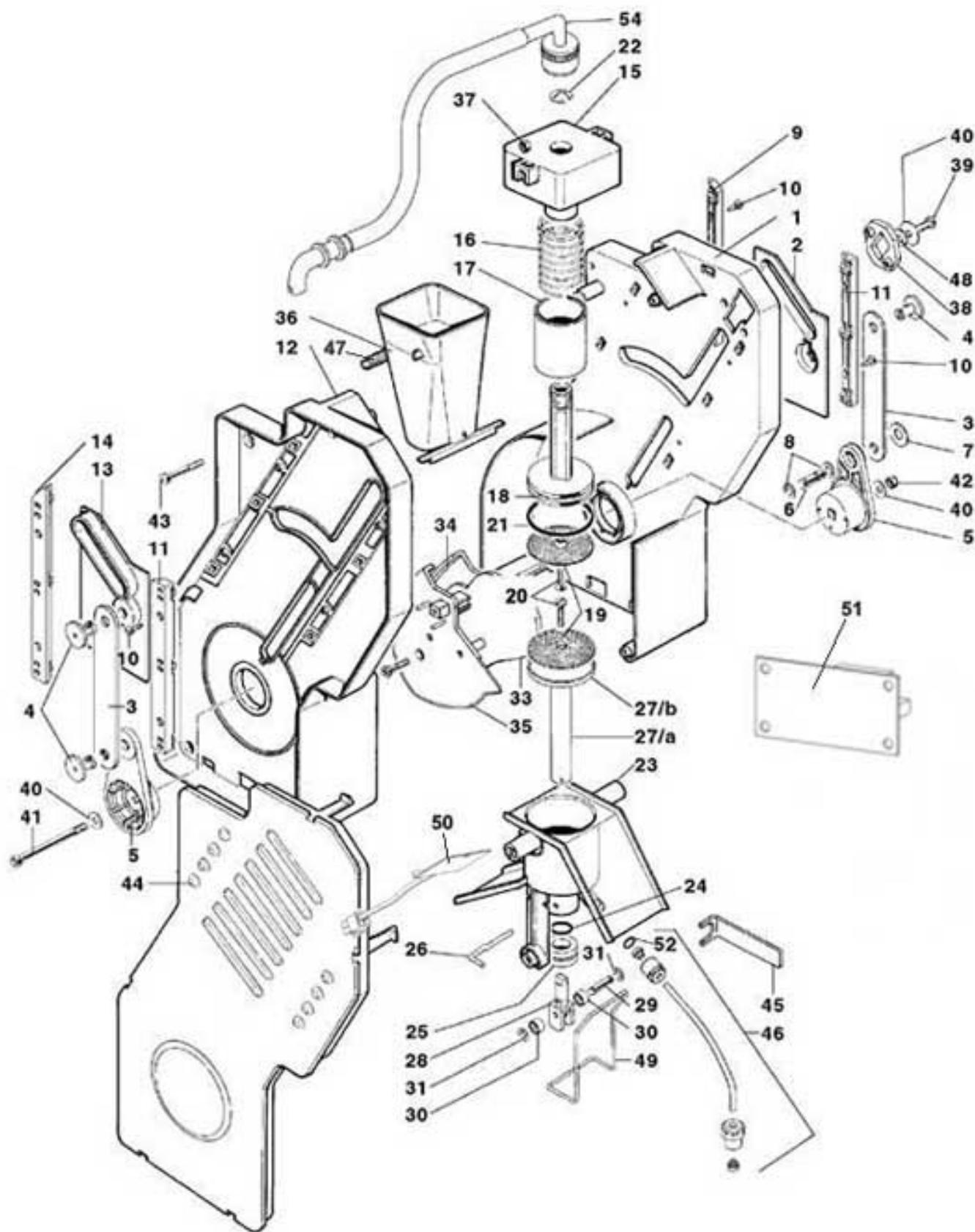


SAGOMA

SAGOMA - micro coffee group

| Pos. Code | Description |
|-----------|---|
| 1 | 0250008005R AS MICRO BREWER COVERS-L.H+R.H |
| 2 | 0250008084 INFUSION CHAMBER CAM-RIGHT |
| 3 | 0250008009 CONNECTING ROD |
| 4 | 0250008028 CONNECTING ROD PIN |
| 5 | 0250008011 RIGHT CRANK |
| 6 | 0250008014 PIN |
| 7 | 0250008042 ANTIVIBRATION WASHER |
| 8 | VIT0006515 RING 5 |
| 9 | 0250008031 REAR RIGHT GUIDE |
| 10 | VIT0002026 SCREW ST HEAD CAP M3.5X6.5 |
| 11 | 0250008033 FRONTAL GUIDE |
| 12 | 0250008005R AS MICRO BREWER COVERS-L.H+R.H |
| 13 | 0250008085 INFUSION CHAMBER CAM-LEFT |
| 14 | 0250008032 REAR LEFT GUIDE |
| 15 | 0250008086 UPPER FILTER SUPPORT |
| 16 | 0250008024 UPPER FILTER SPRING |
| 17 | 0250008087 SPRING COVER PIPE |
| 18/a | 0250008026R AS UPPER COFFEE FILTER D 36 For Coffee beans group D. 36 (Pos.18/a+19/a+21/a+20) |
| 18/b | 0250008208R AS UPPER COFFEE FILTER D.40 For Coffee beans group D. 40 --- (Pos. 18/b+19/b+21/b+20) |
| 19/a | 0250008099 COFFEE FILTER For Coffee beans group D. 36 |
| 19/b | 0250008211 COFFEE FILTER D 37.3 For Coffee beans group D. 40 |
| 20/a | VIT0001202 SCREW COUNT FLAT HEAD M3X14 |
| 20/b | VIT0000121 SCREW COUNT FLAT HEAD M3X8 |
| 21/a | GUA0000080 OR 4112 SILICON For Coffee beans group D. 36 |
| 21/b | GUA0000097 OR 4131 SILICON For Coffee beans group D. 40 |
| 22 | VIT0006513 RING 8 |
| 23/a | 0250008046R AS BREWER INFUSION CHAMBER For Coffee beans group D. 36 |
| 23/b | 0250008206R AS LOWER COFFEE FILTER D.40 For Coffee beans group D. 40 |
| 24 | GUA0000065 OR 112 SILICON |
| 25 | 0250008053 LOWER INLET CUP BUSH |
| 26 | 0250008029 FUNNEL PIN |
| 27/a | 0250008108 LOWER FILTER SHAFT |
| 27/b | 0250008122 COFFEE FILTER LOW 36 For Coffee beans group D. 36 |
| 27/c | 0250008209IC LOWER COFFEE FILTER D.40 For Coffee beans group D. 40 |
| 28 | 0250008106 BEARING SUPPORT |
| 29 | 0250008021 BEARING SHAFT |
| 30 | 0250008022 BEARING |
| 31 | VIT0006517 RING 3.2 |
| 32 | 0250008027 LOWER FILTER PIN |
| 33 | 0250008083 CAM |
| 34 | 0250008016 CAM |
| 35 | 0250008017 CAM |
| 36 | 0250008036 COFFEE FUNNEL |
| 37 | VIT0004803 NUT M4 |
| 38 | 0250008035 SETTING PLATE |
| 39 | VIT0000032 SCREW HEAD TAP CAP M4X8 |
| 40 | VIT0003309 WASHER4.3X16X1.5 |
| 41 | VIT0005523 SCREW HEX HEAD REC TAP M4X60 |
| 42 | VIT0004810 NUT M4 |
| 43 | VIT0002461 SCREW HEAD TAP M4.2X26 |
| 44 | 0250008039 L.H. FRAME COVER |
| | 0250008039CM L.H. FRAME COVER MERCEDES GREY RAL 9006 |
| | 0250008039IC L.H. FRAME COVER ORANGE RAL 2011 |
| 45 | 0250008048 KEY FOR NUT |
| 46 | 0250008050 WATER INLET PIPE |
| 47 | VIT0009203 INSERT |
| 48 | VIT0003451 SPRING WASHER 4.2 |
| 49 | 0250008094 SCRAPER |
| 50 | 0250008088 WASHER |
| 51 | 0250008109R AS LOW COFFEE FILTER D.36+BEAR. |
| 52 | GUA0000061 OR 2010 VITON |
| 53 | 0250008107R BEARING SUPPORT |
| 54 | 0250008130CL AS COFFEE OUTLET PIPE |
| 55 | FASC000105 CLAMP |
| 56 | TSIL06/09T SILICON HOSE 6X9 |
| 57 | 0380010657NA ESPRESSO NOZZLE D.5.7 (BLACK) |
| 100 | 0250008001R COFFEE BREWER MICRO D.36 For Coffee beans group D. 36 |
| 101 | 0250008201R COFFEE BREWER MICRO D.40 For Coffee beans group D. 40 |
| 104 | 0250008108R AS LOWER COFFEE FILTER D.36 |

SAGOMA - heated micro coffee group

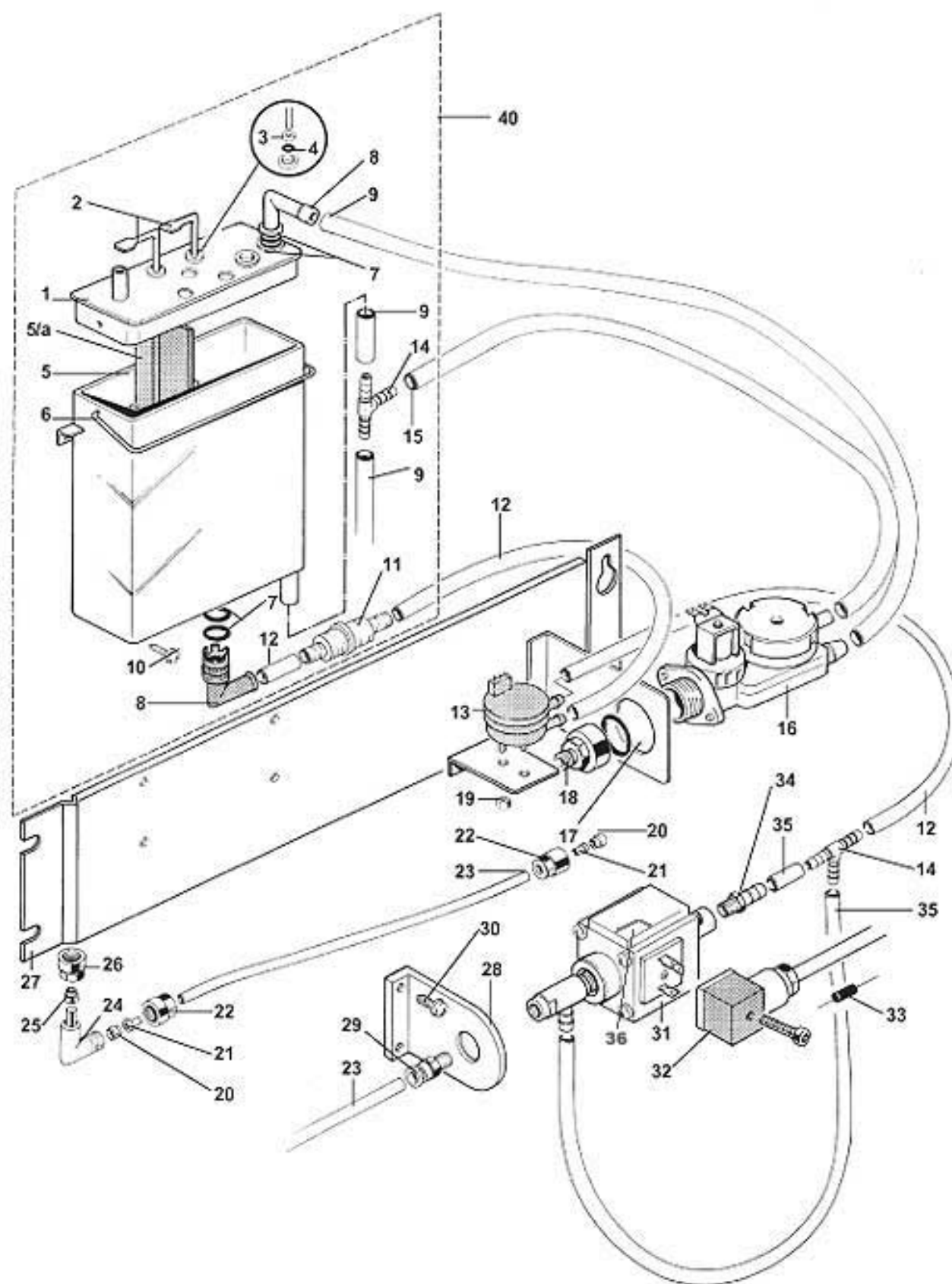


SAGOMA

SAGOMA - heated micro coffee group

| Pos. Code | Description |
|-----------|--|
| 1 | 0250008005R AS MICRO BREWER COVERS-L.H+R.H |
| 2 | 0250008084 INFUSION CHAMBER CAM-RIGHT |
| 3 | 0250008009 CONNECTING ROD |
| 4 | 0250008028 CONNECTING ROD PIN |
| 5 | 0250008011 RIGHT CRANK |
| 6 | 0250008014 PIN |
| 7 | 0250008042 ANTIVIBRATION WASHER |
| 8 | VIT0006515 RING 5 |
| 9 | 0250008031 REAR RIGHT GUIDE |
| 10 | VIT0002026 SCREW ST HEAD CAP M3.5X6.5 |
| 11 | 0250008033 FRONTAL GUIDE |
| 12 | 0250008005R AS MICRO BREWER COVERS-L.H+R.H |
| 13 | 0250008085 INFUSION CHAMBER CAM-LEFT |
| 14 | 0250008032 REAR LEFT GUIDE |
| 15 | 0250008086 UPPER FILTER SUPPORT |
| 16 | 0250008024 UPPER FILTER SPRING |
| 17 | 0250008087 SPRING COVER PIPE |
| 18 | 0250008226R AS UPPER COFFEE FILTER D 36 For Coffee beans group D. 36 (From pos.18 to pos.21) |
| 19 | 0250008019 COFFEE FILTER |
| 20 | VIT0000121 SCREW COUNT FLAT HEAD M3X8 |
| 21 | GUA0000080 OR 4112 SILICON |
| 22 | VIT0006513 RING 8 |
| 23 | 0250008215R1 BREWER CHAMBER |
| 24 | GUA0000065 OR 112 SILICON |
| 25 | 0250008053 LOWER INLET CUP BUSH |
| 26 | 0250008029 FUNNEL PIN |
| 27a | 0250008108 LOWER FILTER SHAFT |
| 27b | 0250008122 COFFEE FILTER LOW 36 |
| 28 | 0250008226 ROLL SUPPORT |
| 29 | 0250008021 BEARING SHAFT |
| 30 | 0250008022 BEARING |
| 31 | VIT0006517 RING 3.2 |
| 33 | 0250008083 CAM |
| 34 | 0250008016 CAM |
| 35 | 0250008017 CAM |
| 36 | 0250008036 COFFEE FUNNEL |
| 37 | VIT0004803 NUT M4 |
| 38 | 0250008035 SETTING PLATE |
| 39 | VIT0000032 SCREW HEAD TAP CAP M4X8 |
| 40 | VIT0003309 WASHER4.3X16X1.5 |
| 41 | VIT0005523 SCREW HEX HEAD REC TAP M4X60 |
| 42 | VIT0004810 NUT M4 |
| 43 | VIT0002461 SCREW HEAD TAP M4.2X26 |
| 44 | 0250008039 L.H. FRAME COVER |
| | 0250008039CM L.H. FRAME COVER MERCEDES GREY RAL 9006 |
| | 0250008039IC L.H. FRAME COVER ORANGE RAL 2011 |
| 45 | 0250008048 KEY FOR NUT |
| 46 | 0250008050 WATER INLET PIPE |
| 47 | 0250008119 SPRING |
| 48 | VIT0003451 SPRING WASHER 4.2 |
| 50 | 0250008213R AS HEATING ELEMENT |
| 51 | SCH0006880 HEATING ELEMENT BOARD |
| 52 | GUA0000061 OR 2010 VITON |
| 54 | 0250008130CL AS COFFEE OUTLET PIPE |
| 100 | 0250008220R COFFEE BREWER MICRO D.36 |
| 101 | 0250008227R AS BEARING SUPPORT (Pos. 28-29-30-31) |
| 102 | 0250008228R AS LOW.COFFEE FILTER D.36+BEAR. |

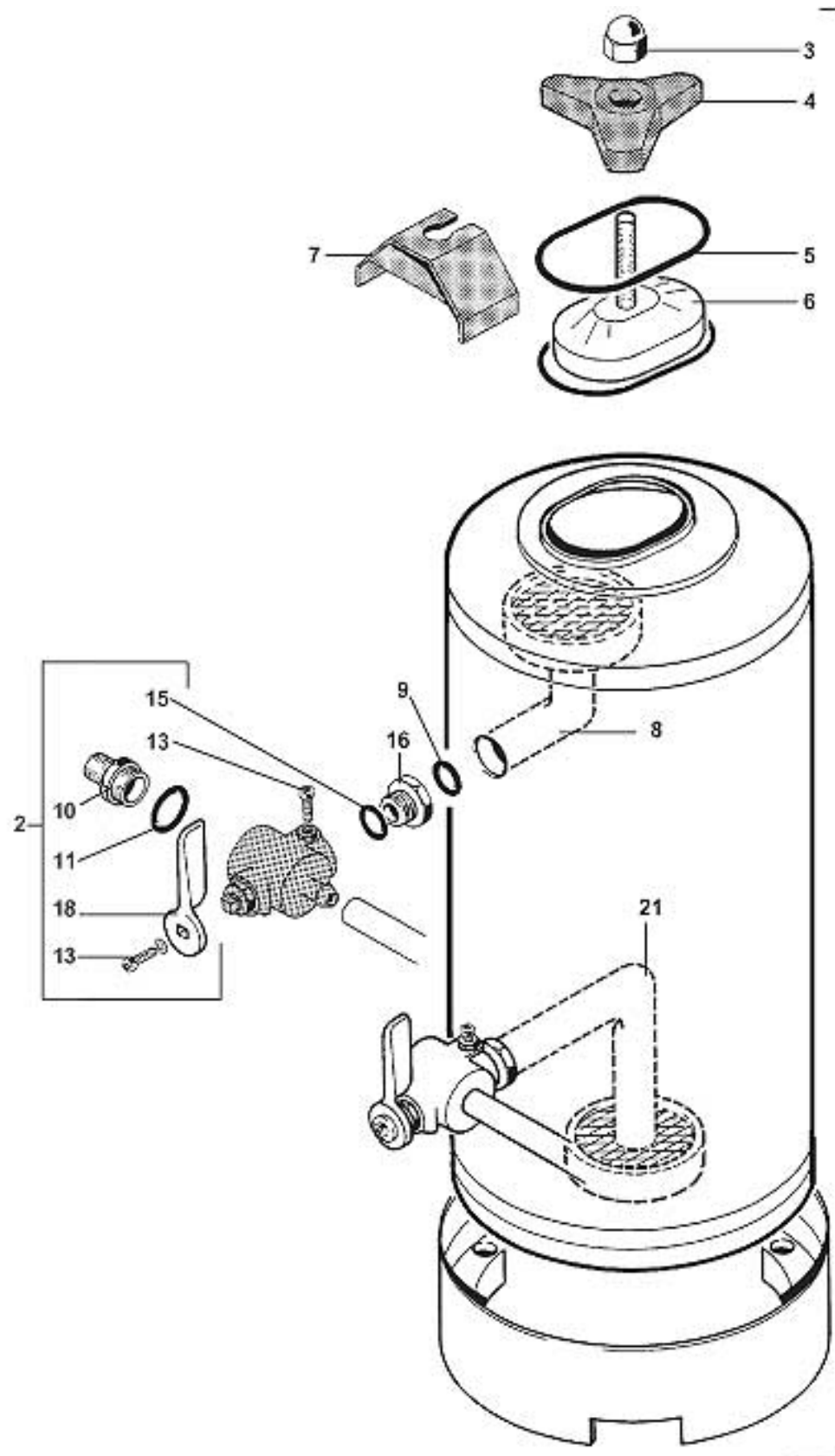
SAGOMA - water inlet



SAGOMA

SAGOMA - water inlet

| Pos. Code | Description |
|------------------|---|
| 1 080009201R | Å§ AIR BREAK Pos. 1+5 |
| 2/a 0600015213 | INOX PROBE |
| 2/b 080008035 | PROBE |
| 3 VIT0003002 | WASHER 3,2X7X0,5 |
| 4 GUA0000038 | OR 2010 |
| 5 080009201R | Å§ AIR BREAK Pos. 1+5 |
| 5/a 800000010 | AIR BREAK SPLITTER |
| 6 800000035 | FIXING COVER RING |
| 7 GUA0000043 | OR 109 |
| 8 080009211 | ELBOW CONNECTOR |
| 9 TSIL07/11T | SILICON HOSE 7X11 |
| 10 VIT0002009 | SCREW ST HEAD CAP M3.5X6.5 |
| 11 0109002002 | H2O FILTER |
| 12 TSIL05/09T | SILICON HOSE 5X9 |
| 13 0110007003 | VOLUMETRIC COUNTER |
| 14 0100003023 | T CONNECTOR 462 TS |
| 15 TSIL05/08T | SILICON HOSE 5X8 |
| 16 0110001119 | WATER INLET VALVE 24V DC |
| 17 GUA0000021 | OR 130 |
| 18/a 0810010556 | H2O INLET CONNECTOR |
| 18/b 0010019223 | H2O INLET CONNECTOR 3/4F-3/8M |
| 19 VIT0004502 | NUT M3 |
| 20 0100002002 | LOCKING RING SO1-6 |
| 21 0100002005 | NUT D.4 |
| 22 0100001003 | TAP CONNECTOR SO20-6-1/4 |
| 23 TTEF04/06T | PTFE PIPE 4X6 |
| 24 0100001026 | L FITTING D.8-1/4 CAN BE ORIENTED |
| 25 0100002003 | LOCKING RING SO1-8 |
| 26 0100001005 | TAP CONNECTOR SO20-8-3/8 |
| 27 0810010606 | WATER COMPONENTS SUPPORT |
| 28/a 0220001002 | PUMP SUPPORT For Coffee beans group D. 36 |
| 28/b 0110004022 | SUPPORT For Coffee beans group D. 40 |
| 29 0100001066 | STRAIGHT RAPID CONNECTION 1/8M - 4*6 |
| 30 VIT0002401 | SCREW ST HEAD CAP M3.5X9.5 |
| 31/a 0110004002R | Å§ ESPRESSO PUMP For Coffee beans group D. 36 |
| 31/b 0110004021 | PUMP EX7 230V-50HZ For Coffee beans group D. 40 |
| 32 ELE0060094 | CONNECTOR |
| 33 ELT0005153 | DIODE 1N 4007 |
| 34 2500001139 | STRAIGHT CONNECTOR |
| 35 TSIL06/09T | SILICON HOSE 6X9 |
| 36 ELE0000915 | PUMP THERMOPROTECTOR For Coffee beans group D. 40 |
| 100 080008030CL | Å§ AIR BREAK W/PROBE For Coffee beans group D. 36 |
| 101 0810010601CL | Å§ HYDRAULIC SUPPORT For Coffee beans group D. 40 |

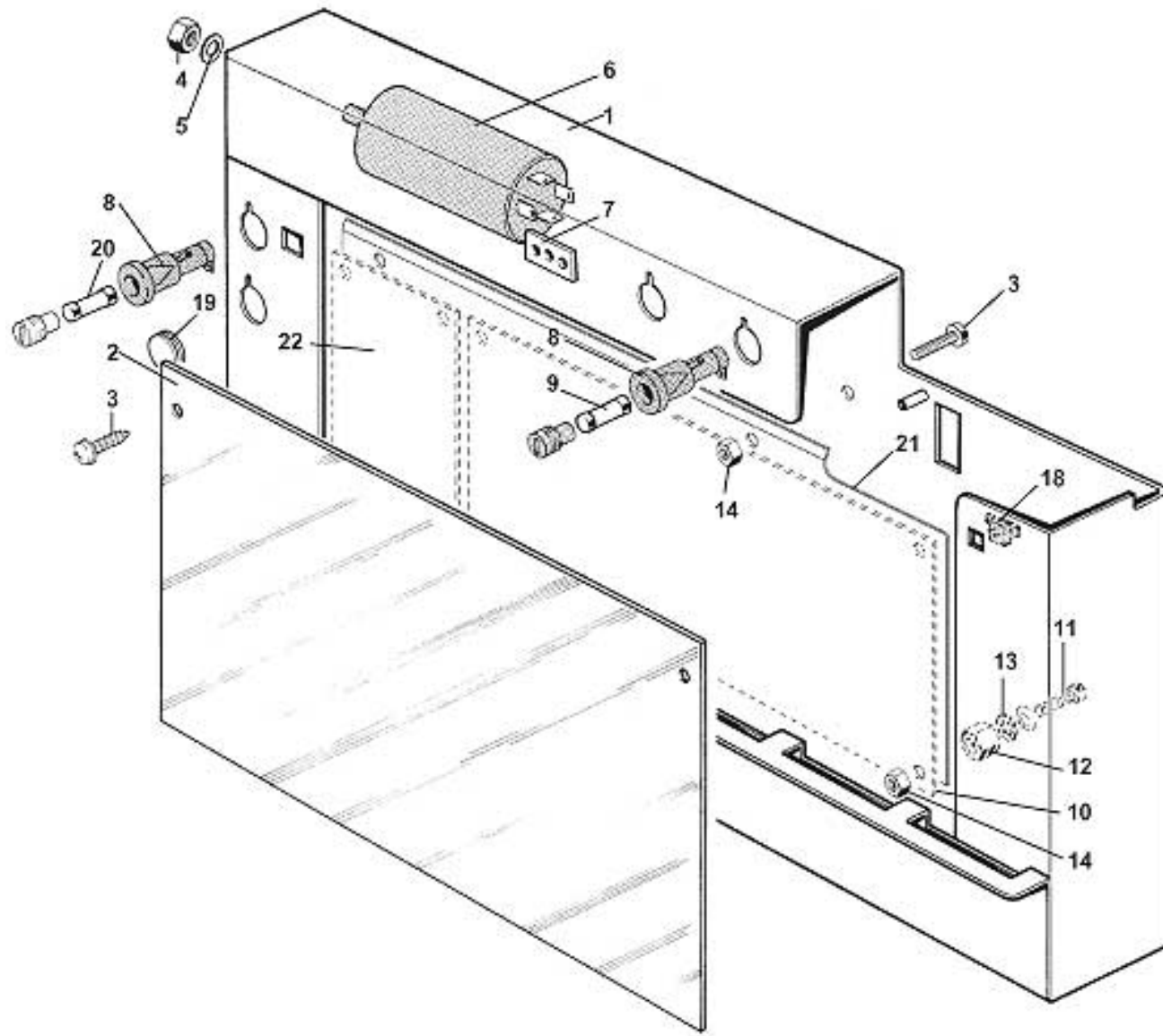


SAGOMA

SAGOMA - sweetener

| Pos. Code | Description |
|---------------|----------------------------------|
| 3 0060002031 | SWEETENER NUT WITH SPHERIC COVER |
| 4 0060002032 | SWEETENER COVER WHEEL |
| 5 GUA0000035 | OR |
| 6 0060002033 | SOFTENER LID |
| 7 0060002034 | SWEETENER BRIDGE |
| 8 0060002035 | SWEETENER UPPER FILTER |
| 9 GUA0000018 | OR 125 |
| 10 0060002036 | TAP CONNECTOR |
| 11 GUA0000013 | OR 117 |
| 12 | |
| 13 VIT0001005 | SCREW HEAD TAP CAP M4X12 |
| 14 | |
| 15 0060002037 | SWEETENER R 9 GASKET |
| 16 0060002038 | SWEETENER NUT D. 20*1.5 |
| 17 TSIL06/09T | SILICON HOSE 6X9 |
| 18 0060002039 | SWEETENER HANDLE |
| 19 VIT0003301 | WASHER 4,3X12X1,5 |
| 20 | |
| 21 0060002040 | SWEETENER LOWER FILTER |
| 1 0060002001 | SOFTENER 8LT |
| 2 0060002030 | TAP |

SAGOMA - control panel

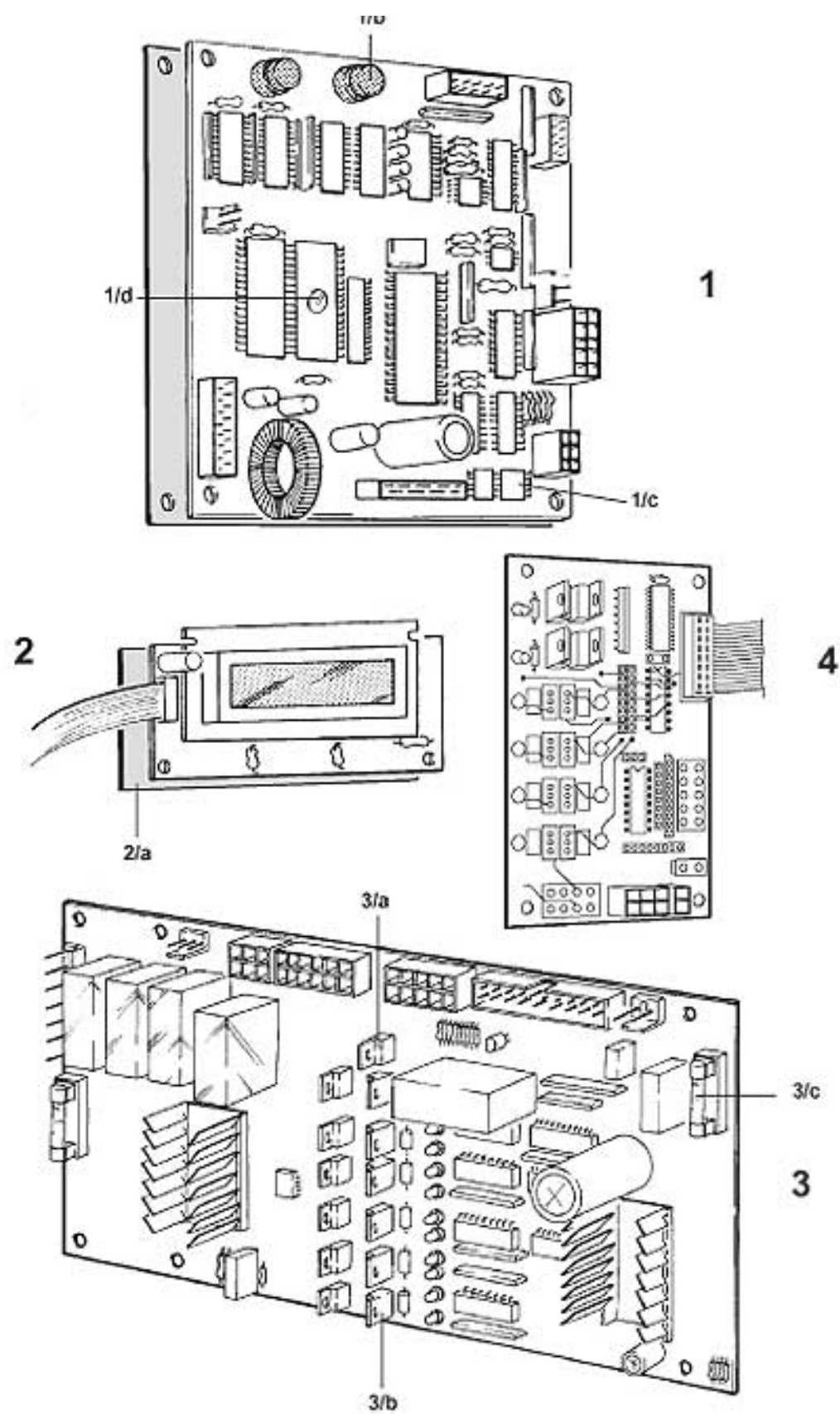


SAGOMA

SAGOMA - control panel

| Pos. Code | Description |
|---------------|---|
| 1 0130011508 | CONTROL PANEL WITH SUPPORT |
| 2 0130011509 | CONTROL PANEL COVER |
| 3 VIT0000030 | SCREW HEAD TAP CAP M4X7 |
| 4 VIT0004506 | NUT M8 |
| 5 VIT0003106 | WASHER D.8,2 |
| 6 ELE0009055 | NOISE FILTER 16A |
| 7 ELE0002305 | MOLVENO PLUG |
| 8 ELE0003507 | FUSE HOLDER 250V 16A |
| 9 ELE0003024 | CERAMIC FUSE 6,3X32 12A |
| 10 | See table new electronic control and power logic |
| 11 VIT0000014 | SCREW HEAD TAP CAP M4X16 For old electronic version |
| 12 0020018125 | SPACER For old electronic version |
| 13 VIT0003103 | SPRING WASHER 4,3 For old electronic version |
| 14 VIT0004503 | NUT M4 For old electronic version |
| 15 | |
| 16 | |
| 17 | |
| 18 VIT0009109 | NUT M4 |
| 19 GUA0010503 | ELECTRICAL GROMMET DG 29 |
| 20 ELE0003023 | FUSE 6.3X32 4A For old electronic version |
| 21 0130011706 | POWER BOARD SUPPORT |
| 22 | See table new electronic control and power logic |

SAGOMA - control and power logic

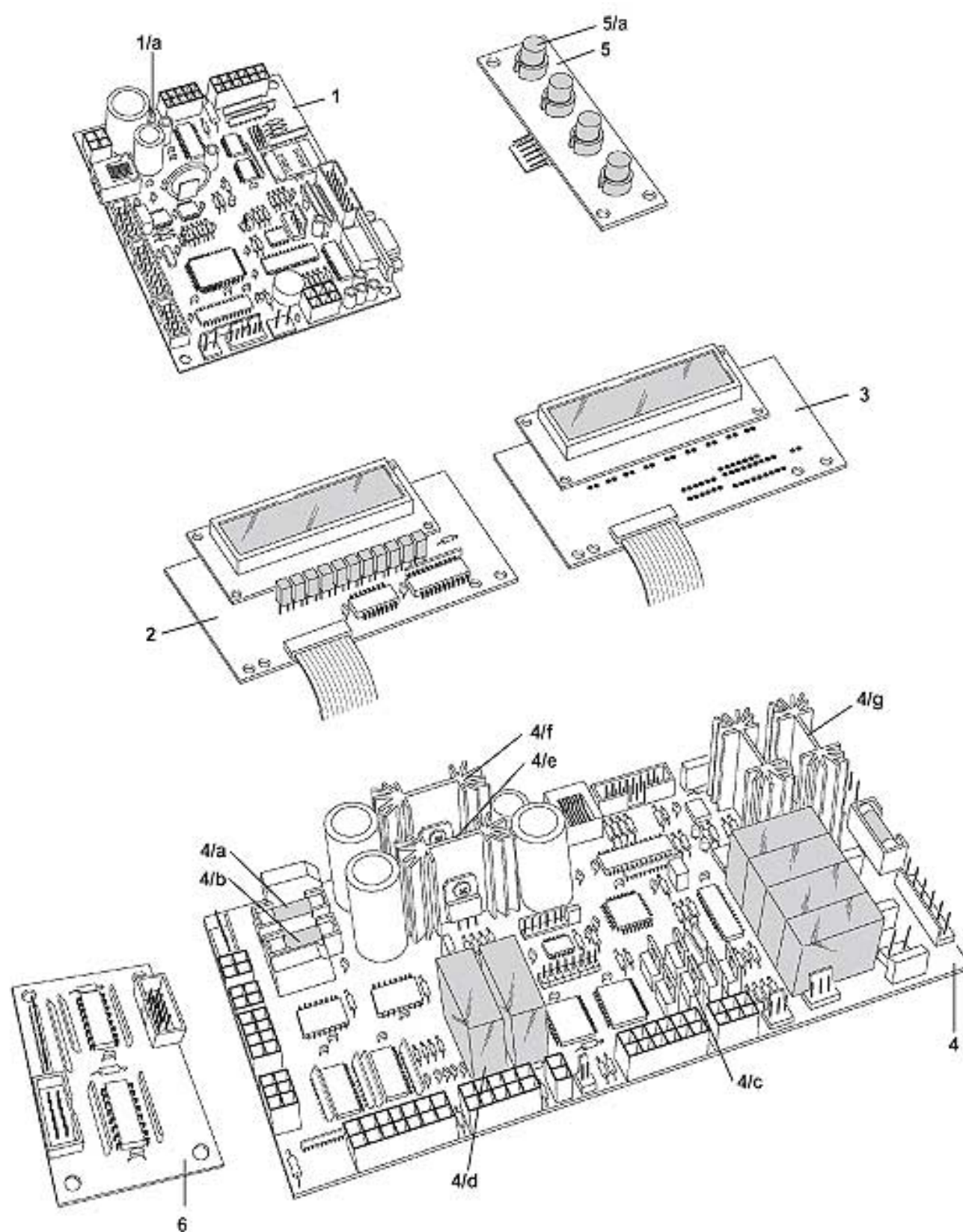


SAGOMA

SAGOMA - control and power logic

| Pos. Code | Description |
|----------------|--|
| 1 SCH0002860 | CPU BOARD |
| 1/a ELT0030059 | EPROM |
| 1/b ELT0030703 | BUTTON D 6 SQUARE |
| 1/c ELT0030064 | EAROM 93LC66B/P MICROCHIP |
| 1/d 0020022679 | CPU BOARD PROTECTION |
| 2 SCH0003020 | SAGOMA DISPLAY |
| 2/a 0020034047 | DISPLAY INSULATION |
| 3 SCH0003840 | POWER BOARD |
| 3/a ELT0004017 | TIP 122 TRANSISTOR |
| 3/b ELT0004028 | TRANSISTOR VNP14NV04-E ST |
| 3/c ELE0003028 | GLASS FUSE 5X20 6,3A |
| 4 SCH0004060 | SAGOMA DC EXPANSION POWER (Only for the E/5 version) |

SAGOMA - new electronic control and power logic

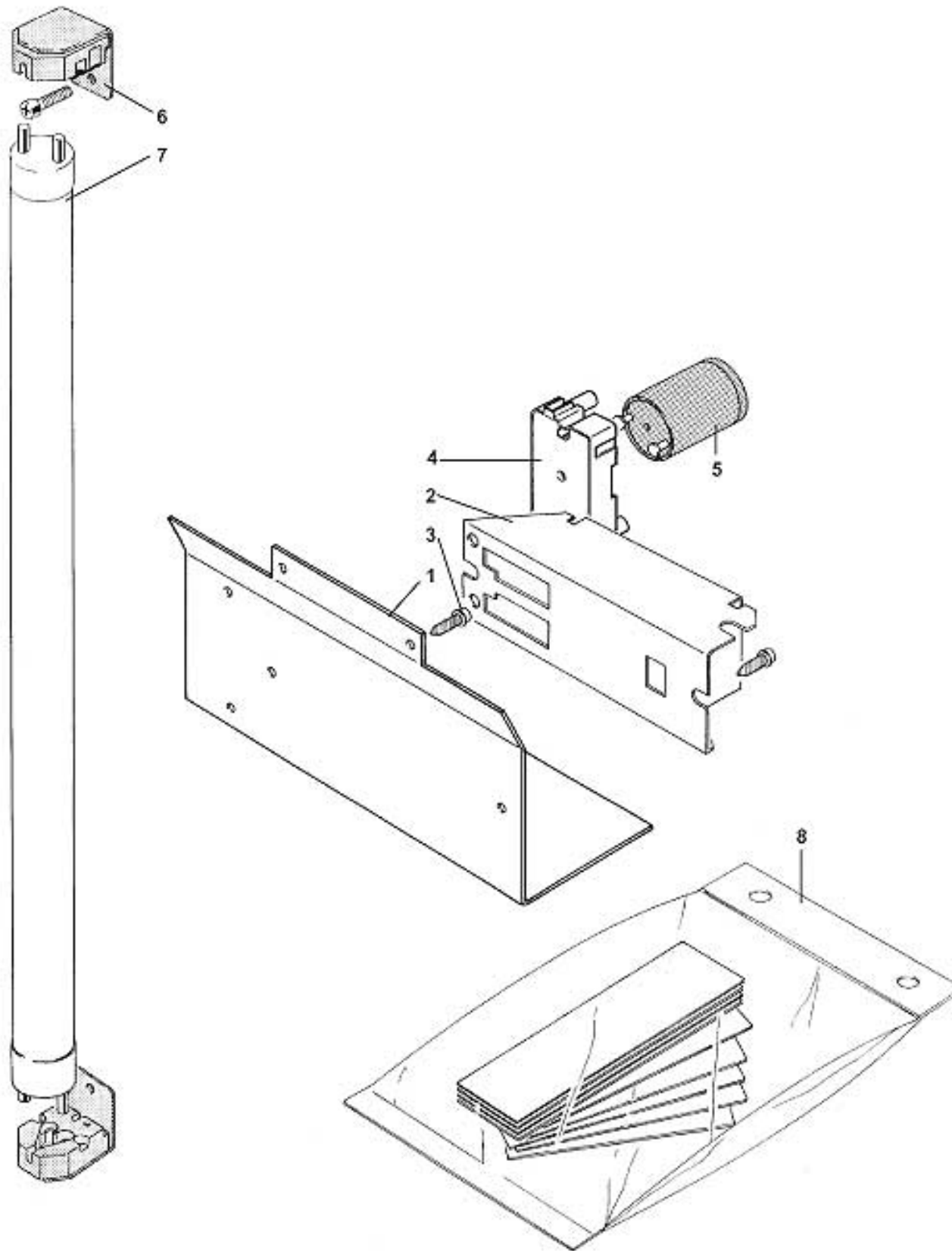


SAGOMA

SAGOMA - new electronic control and power logic

| Pos. Code | Description |
|-----------|--|
| 1 | SCH0007220 CPU W/HOLDER BATTERY BOARD |
| 1/a | ELT0004026 TRANSISTOR BTS 141 |
| 2 | SCH0005640 DISPLAY LIGHTBAR LED GREEN |
| 3 | SCH0004660 DISPLAY BOARD W/O SUGAR LED |
| 4 | SCH0005140 POWER BOARD |
| 4/a | ELE0003025 GLASS FUSE 5X20 2A |
| 4/b | ELE0003028 GLASS FUSE 5X20 6,3A |
| 4/c | ELT0004028 TRANSISTOR VNP14NV04-E ST |
| 4/d | ELT0007151 RELAY 10A 24VDC |
| 4/e | ELT0004026 TRANSISTOR BTS 141 |
| 4/f | ELT0030301 INTEGRATED |
| 4/g | ELT0004209 TRIAC TRIAC 16 A |
| 5 | SCH0003980 PROGRAM KEYPAD |
| 5/a | ELT0030704 BUTTON D 6 ROUNDED |
| 6 | SCH0004200 KEYPAD BOARD |

SAGOMA - lighting kit

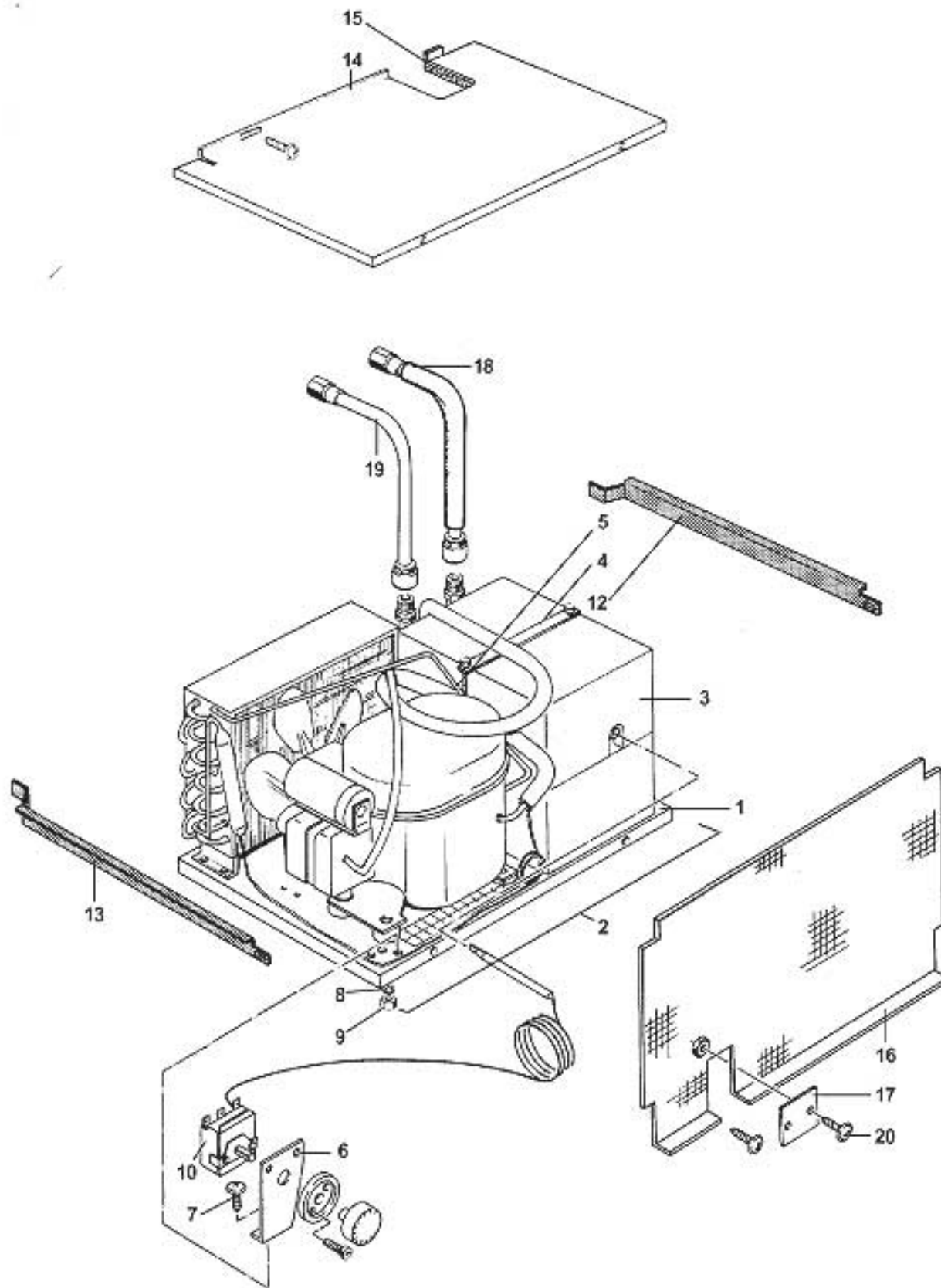


SAGOMA

SAGOMA - lighting kit

| Pos. Code | Description |
|-------------------|--|
| 1/a 0020034031 | ELECTRIC COMPONENTS SUPPORT Up to serial 9523999 |
| 1/b 0020034157 | ELECTRIC COMPONENTS SUPPORT From serial 9527001 |
| 2 ELE0009116 | BALLAST 220V 0,17A |
| 3 VIT0002401 | SCREW ST HEAD CAP M3.5X9.5 |
| 4 ELE0009108 | BALLAST HOLDER |
| 5 ELE0009109 | BALLAST 4/65W |
| 6 ELE0009107 | NEON LAMP HOLDER |
| 7 ELE0009018 | LAMP F8W-CW-T5 |
| 100 KIT0020034002 | SAGOMA LIGHTING KIT |

SAGOMA - fp refrigerating group

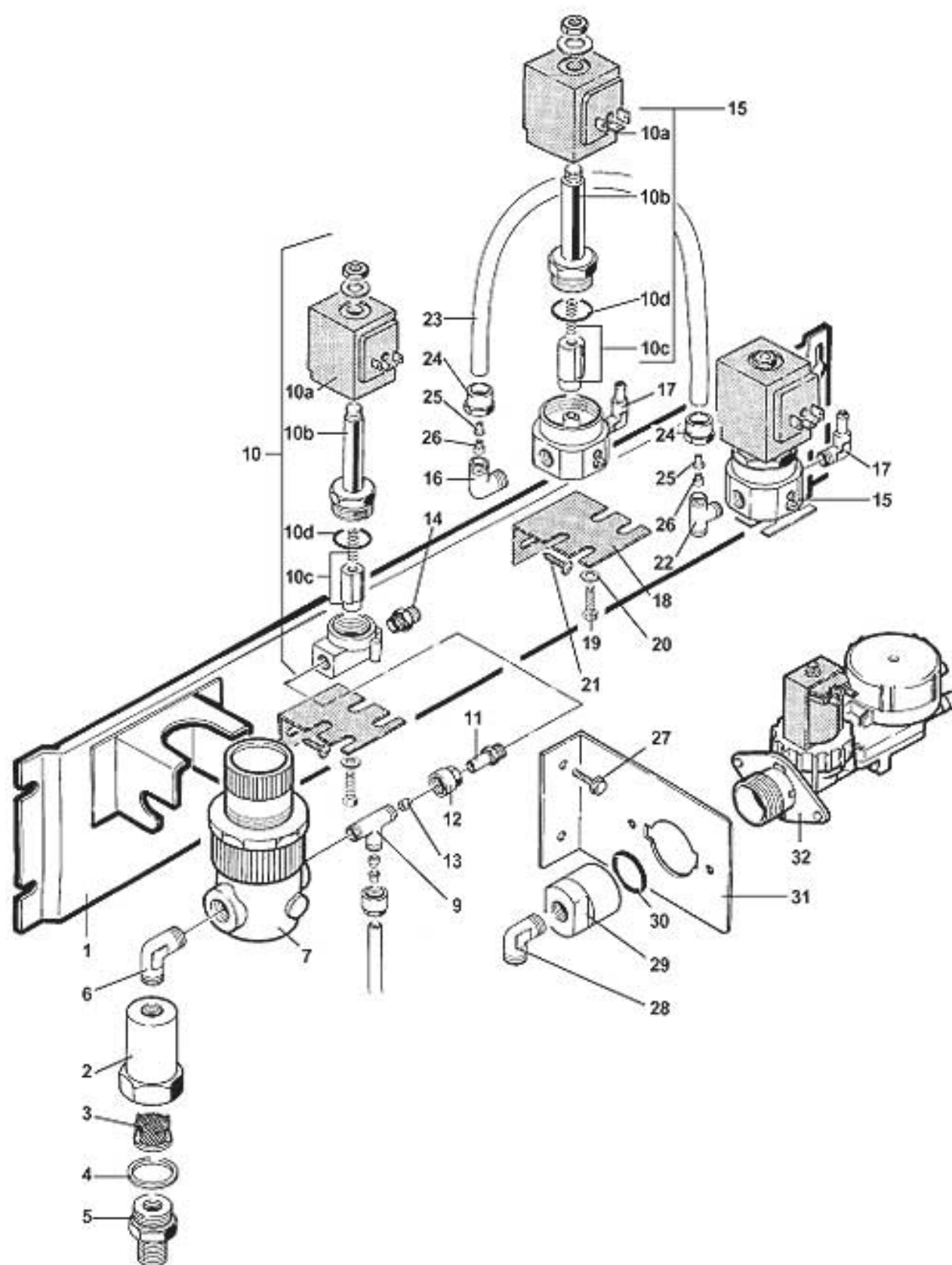


SAGOMA

SAGOMA - fp refrigerating group

| Pos. Code | Description |
|------------------|---|
| 1 550000001 | REFRIGERATING SUPPORT |
| 2 0550050005 | REFRIGERATING GROUP WIHT HEATING ELEMENTS |
| 3 0550006015 | ISOLATION SHELL |
| 4 0550006006 | WATER TANK PLATE |
| 5 0550006005 | CONNECTOR |
| 6 3003001036 | THERMOSTAT SUPPORT |
| 7 VIT0000030 | SCREW HEAD TAP CAP M4X7 |
| 8 VIT0003103 | SPRING WASHER 4,3 |
| 9 VIT0004503 | NUT M4 |
| 10 ELE0000918 | REMOTE THERMOSTAT |
| 11 | |
| 12 0550004076 | R.H. SUPPORT |
| 13 0550004075 | L.H. SUPPORT |
| 14 0550004055 | REFRIGERATOR PLATE |
| 15 0550004018 | POLYSTYRENE |
| 16 0550004021 | REFRIGERATING GROUP PROTECTION |
| 17 0550004044 | FP THERMOSTAT PROTECTION |
| 18 0810010058CL | Å§ COFFEE OUTLET PIPE |
| 19 0810010057CL | VALVE PIPE W/SETTING TO REFRIGERATING INLET |
| 20 VIT0000004 | SCREW HEAD TAP CAP M3X10 |
| 21 VIT0004701 | NUT M3 |
| 100 0550003006CL | REFRIG. GROUP FP W/THERMOSTAT |

SAGOMA - water inlet FP



SAGOMA

SAGOMA - water inlet FP

| Pos. Code | Description |
|------------------|---|
| 1 0810010588 | WATER COMPONENTS SUPPORT |
| 2 0170005007 | FILTER SUPPORT |
| 3 0110020007 | PLASTIC FILTER DIAM. 20 |
| 4 GUA0003201 | COPPER GASKET 26X22,2X1,5 |
| 5 0170005006 | STRAIGHT CONNECTOR |
| 6 0100001021 | ELBOW CONNECTOR SO2400-8-1/4 |
| 7 0110003007 | MICROREGULATOR |
| 8 | |
| 9 0100001039 | T CONNECTOR SO3700-1/4-8-8 |
| 10 0110001064 | WATER INLET VALVE 2W 24V DC |
| 10/a 0110010065 | COIL 8 W 24 DC |
| 10/b 0110010038 | 2-WAY VALVE SLEEVE |
| 10/c 0110010021 | CORE WITH SPRING FOR 2-WAY VALVE |
| 10/d 0110010009 | OR 2062 |
| 11 9003001040 | H2O INLET CONNECTOR |
| 12 0100001004 | TAP CONNECTOR SO20-8-1/4 |
| 13 0100002003 | LOCKING RING SO1-8 |
| 14 0100001017 | STRAIGHT CONNECT SO1100-6-1/8 |
| 15 0110001076 | VALVE 2W 24V DC |
| 16 0100001019 | ELBOW CONNECTOR SO2400-6-1/8 |
| 17 820001039 | CONNECTOR 2400-8-1/8 |
| 18 0810010211 | VALVE BRACKET |
| 19 VIT0000015 | SCREW HEAD TAP CAP M4X25 |
| 20 VIT0003301 | WASHER 4,3X12X1,5 |
| 21 VIT0002401 | SCREW ST HEAD CAP M3.5X9.5 |
| 22 0100001030 | T CONNECTOR SO3700-6-1/8-6 |
| 23 TTEF04/06T | PTFE PIPE 4X6 |
| 24 0100001002 | CONNECTOR NUT |
| 25 0100002005 | NUT D.4 |
| 26 0100002002 | LOCKING RING SO1-6 |
| 27 VIT0000030 | SCREW HEAD TAP CAP M4X7 |
| 28 0100001022 | ELBOW CONNECTOR 8-3/8-1/4 |
| 29 0810010558 | WATER INLET VALVE CONNECTOR |
| 30 GUA0000021 | OR 130 |
| 31 0070012111 | H2O INLET VALVE SUPPORT |
| 0070012111CK | H2O INLET VALVE SUPPORT DUST GREY RAL 7037 |
| 32 0110001119 | WATER INLET VALVE 24V DC |
| 100 0810010098CL | SAGOMA H/FP 2VALVES W/SETTING ASSEMBLY (From pos.1 to pos.26) |