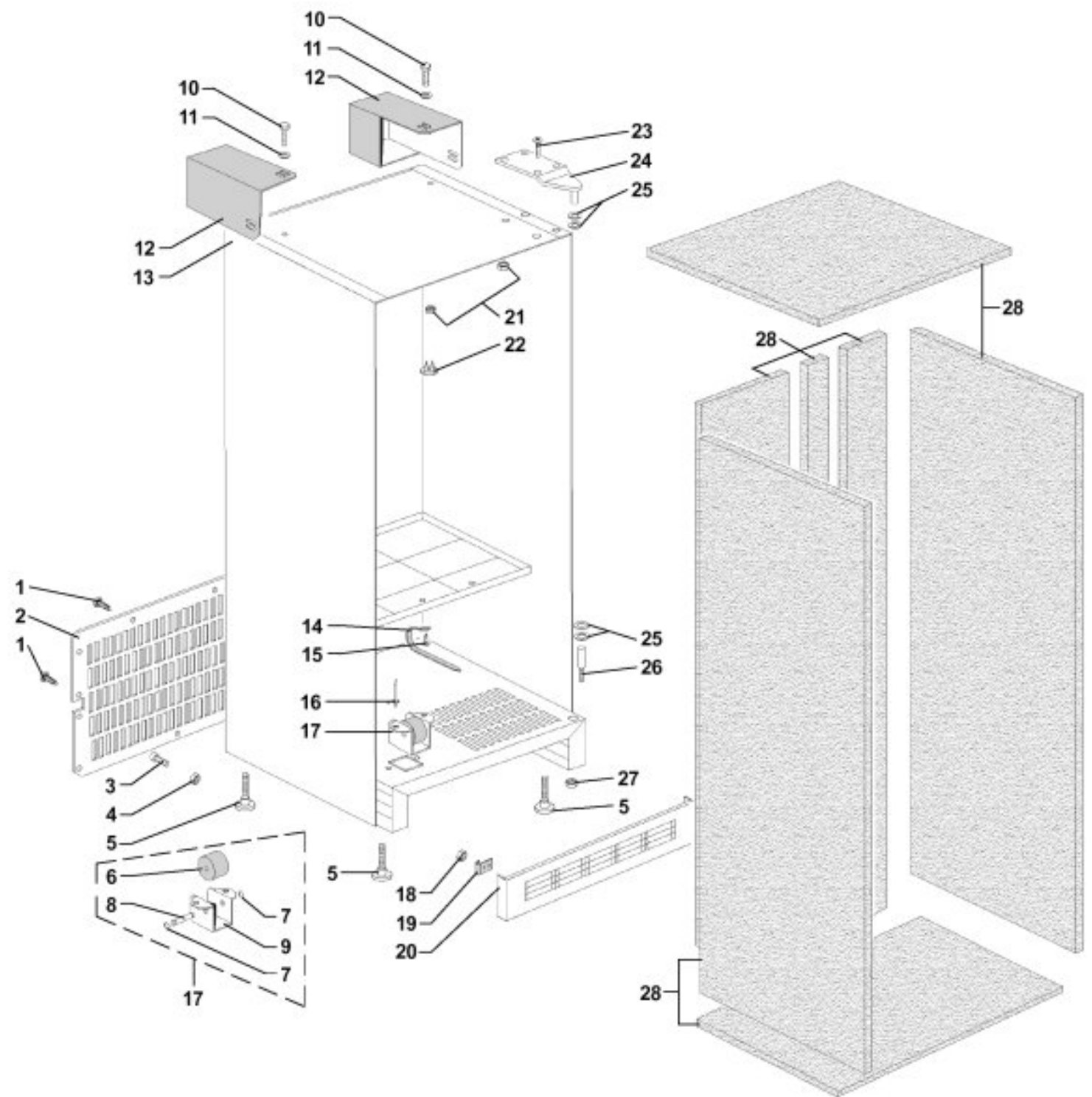


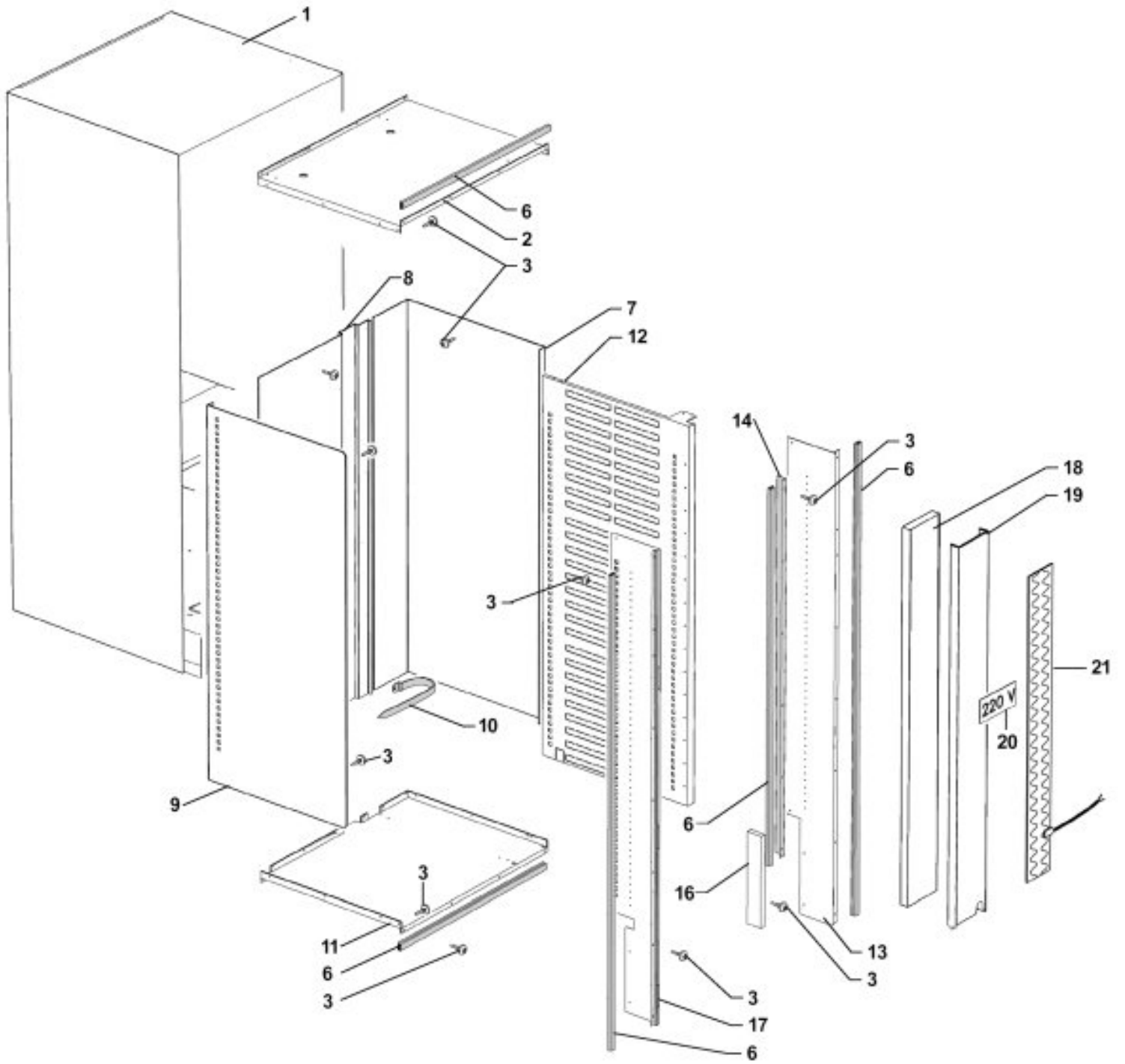
vending machine

[ETA BETA]

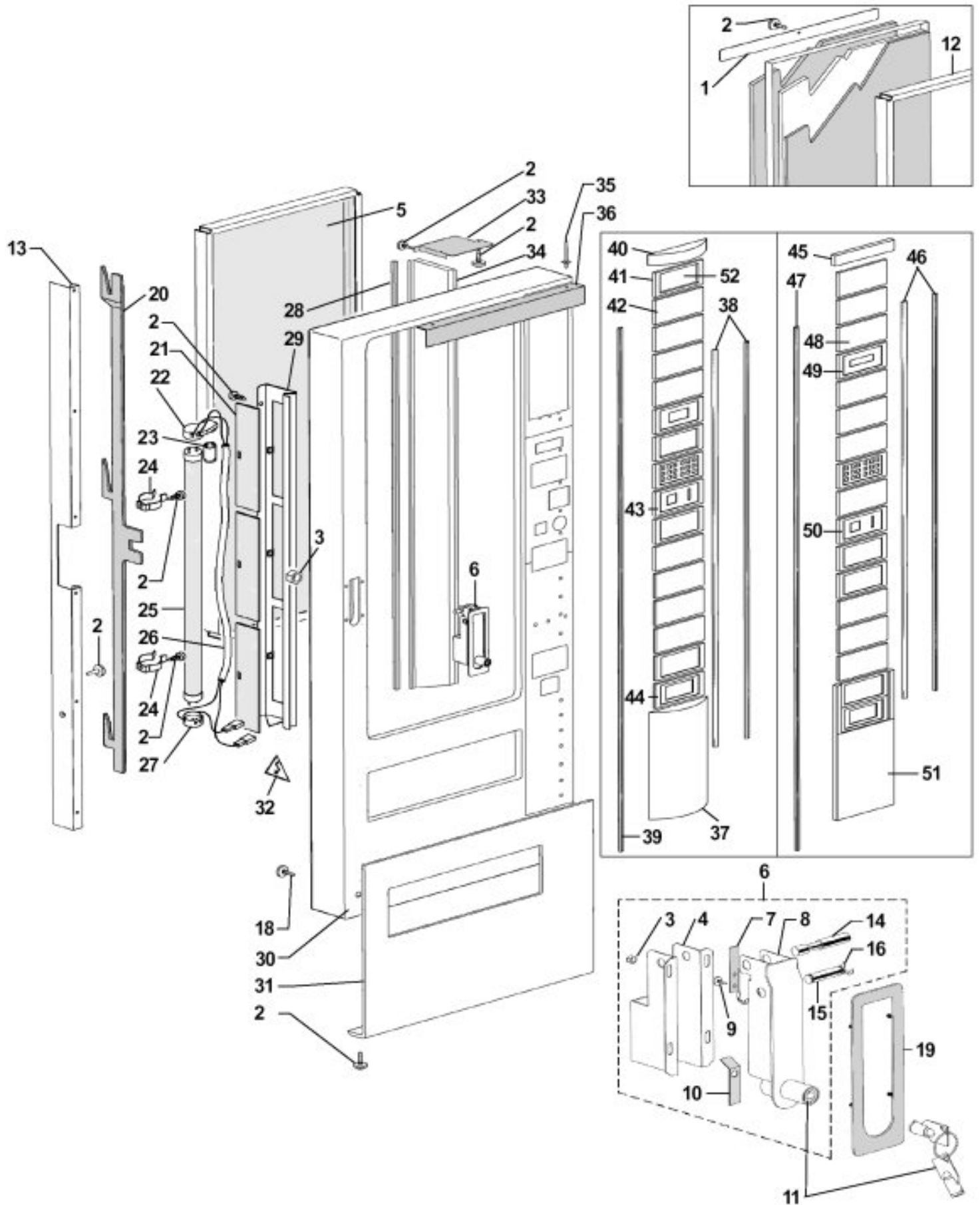
spare parts manual



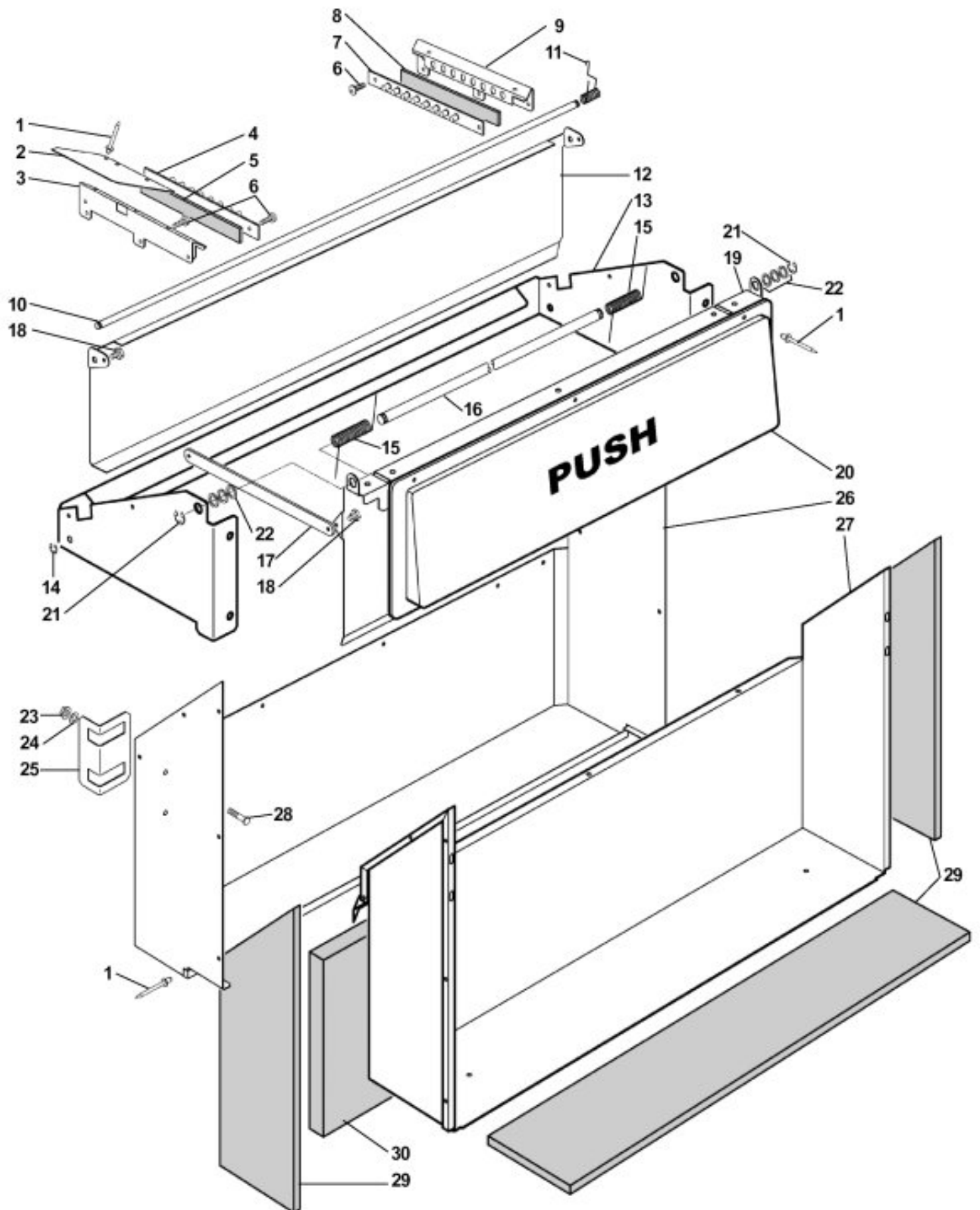
Pos.	Code	Description	
1	00 03 5009	Self-tapping screw wide head 3,9 x 9,5	
2	61 50 0007	Rear EB grid	
3	00 03 4022	Screw TE 4 x 25	
4	00 03 1010	Flanged nut M4	
5	00 01 4001	Cabinet foot	
6	00 04 1002	Nylon wheel Sh door support	
7	00 03 3003	D.7 radial	
8	00 04 0059	8x32 pin	
9	75 10 0012	Support for wheel Sh door	
10	00 03 4033	TE 6 x 25 Screw	
11	00 03 2010	Washer D. 6 x 18	
12	61 50 0025	Wall-mounting bracket	
13	61 50 0012	EB cabinet frame	**
14	00 01 1007	Reopenable clamp SSC2S-S6-C	
15	00 03 5009	Self-tapping screw wide head 3,9 x 9,5	
16	00 01 3006	Aluminium rivet 3,8 x 10	
17	75 10 0034	Complete support for door with wheel	
18	00 03 1010	Flanged nut M4	
19	61 50 0010	Hook for EB skirting	
20	61 50 0009	EB cabinet front skirting	
21	00 03 1052	D. 6 self-tapping Nut	
22	00 01 5071	Internal hole covering cup	
23	00 03 4047	TPSCE 6 x 25 Screw	
24	61 50 0008	EB door upper hinge	**
25	00 03 2012	Brass washer D.8	
26	61 50 0060	Lower EB door hinge pivot	
27	00 03 1008	Flanged nut M6	
28	00 01 2001	Expanded polyurethane insulating (sqmt)	



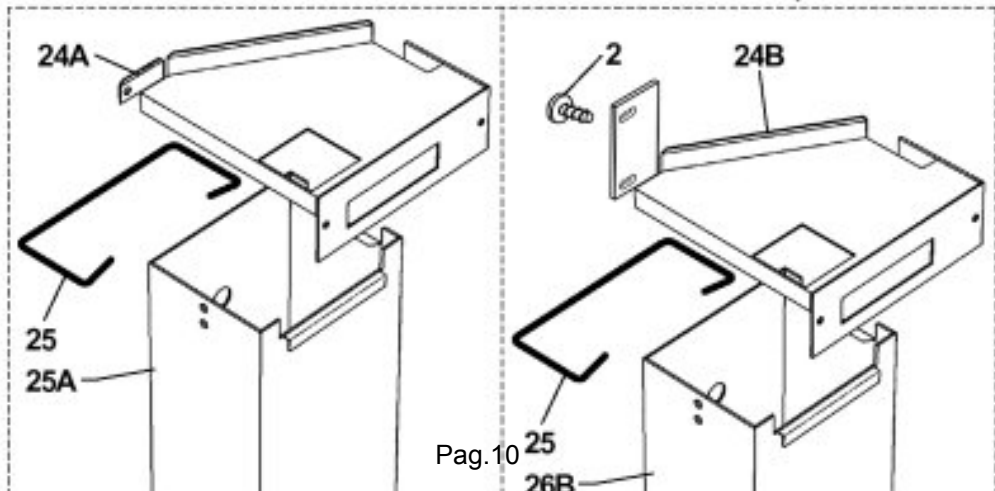
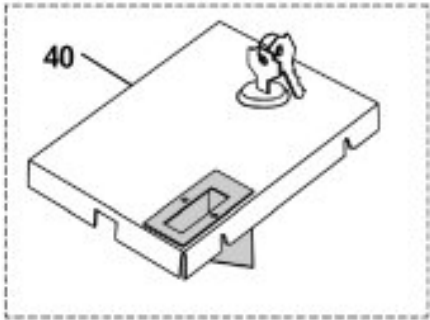
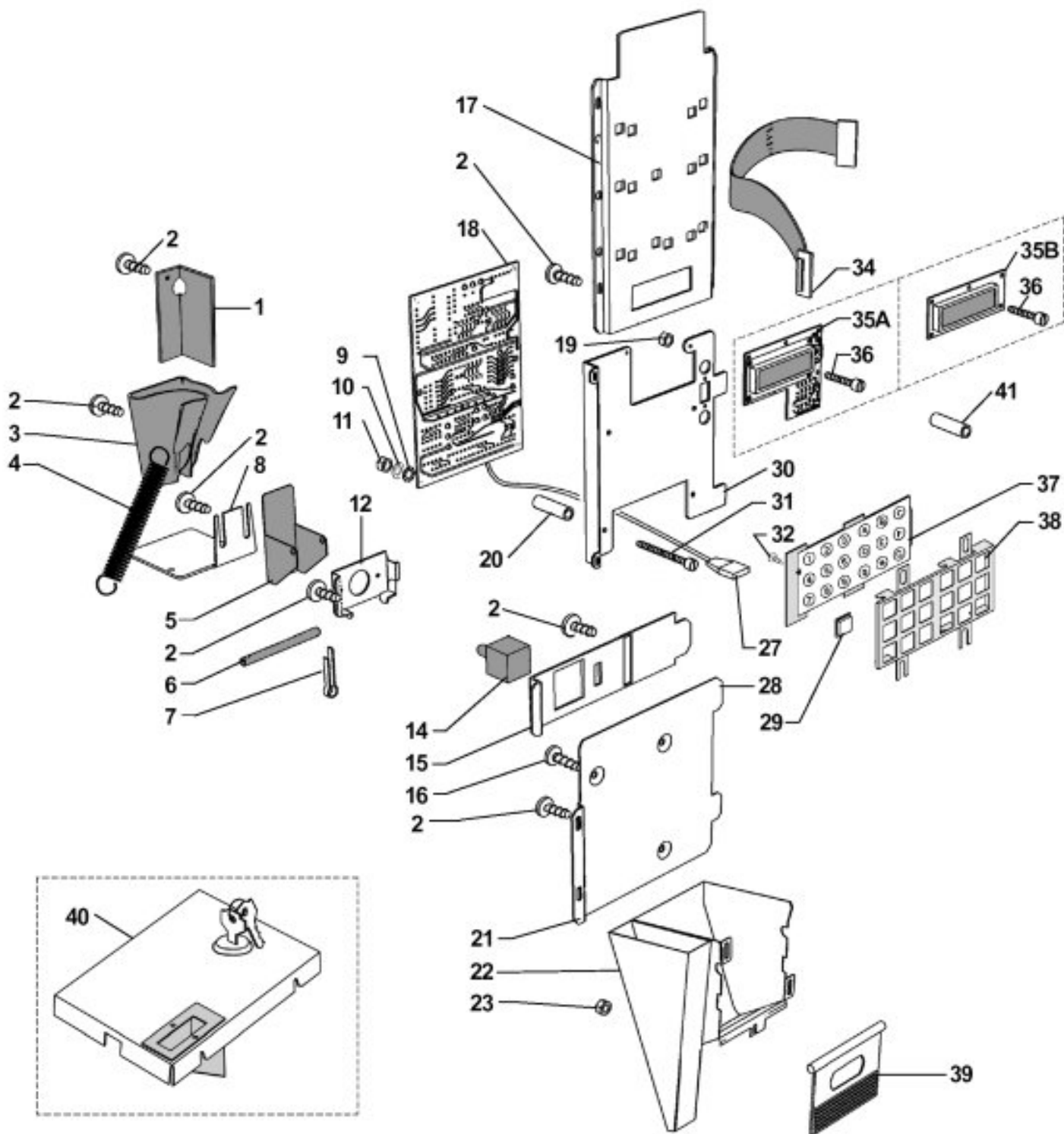
Pos.	Code	Description	
1	61 50 0012	EB cabinet frame	**
2	61 56 0002	EB internal upper	
3	00 03 5009	Self-tapping screw wide head 3,9 x 9,5	
6	61 50 0021	Black cabinet seal per mt	
7	61 40 3003	Back of EB unit	
8	61 56 3003	Interior back of EB unit	
9	61 56 3004	EB Left interior	
10	00 01 1007	Reopenable clamp SSC2S-S6-C	
11	61 56 0001	EB internal Lower	
12	61 40 3006	EB aeration panel	
13	61 55 3002	EB right seal support	
14	61 55 3011	EB internal seal support	
16	00 01 2010	Veolene thickness 10 x 155 (mt)	
17	61 55 0001	EB right external support	
18	61 57 0005	EB evaporator insulating material	
19	61 57 0006	Evaporator insulating sheet metal panel	
20	00 01 1006	230V symbol PESC-C-230V	
21	61 57 0011	EB-PRO condensate-proof heating element	



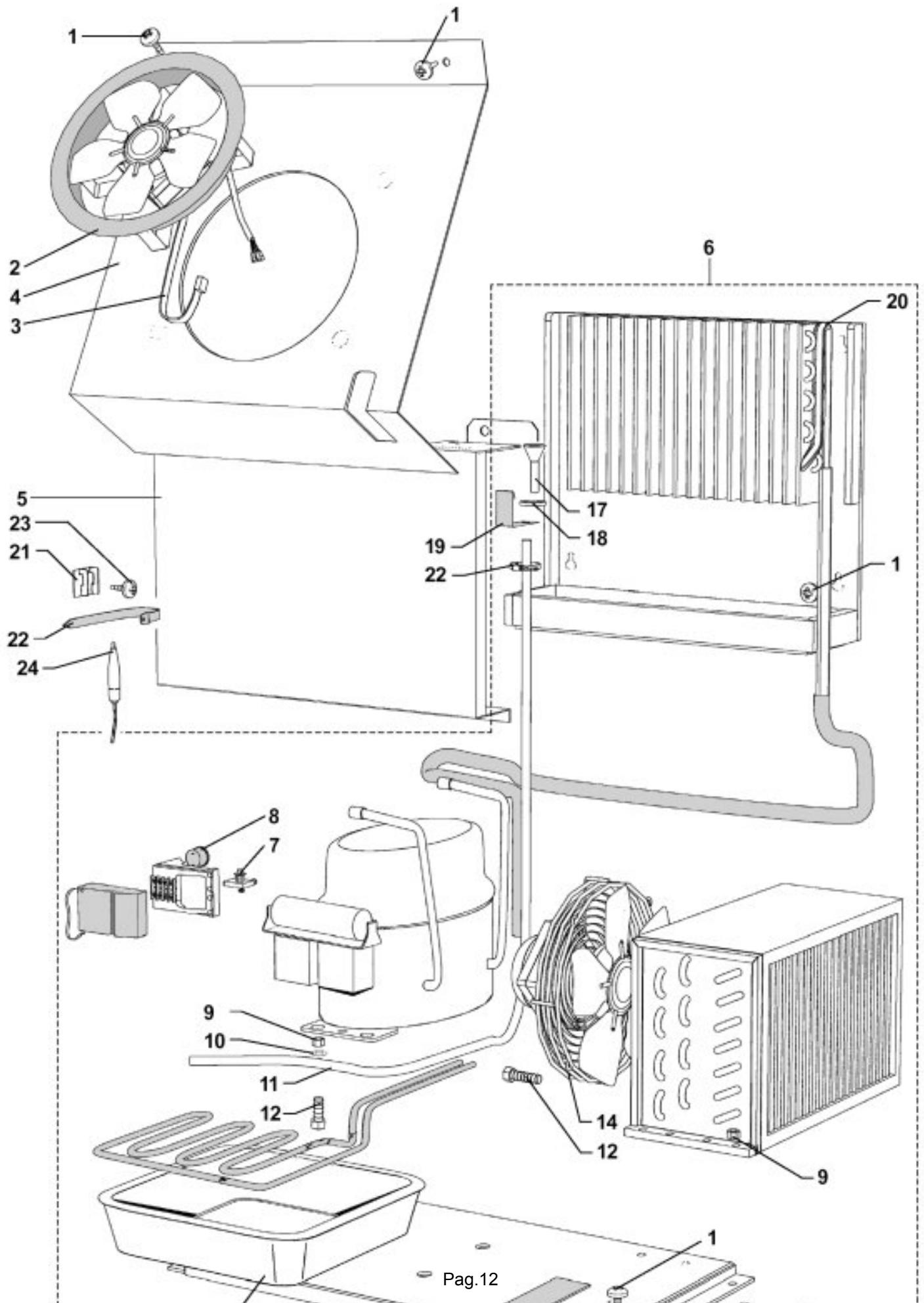
Pos.	Code	Description	
1	61 10 1002	EB horizontal glass stopper	
2	00 03 5009	Self-tapping screw wide head 3,9 x 9,5	
3	00 03 1011	Flanged M5 nut	
4	75 13 0003	Door handle interior frame Sh-EB	
5A	61 10 1001	EB double glazed glass-case	
5B	61 10 1021	EB-Pro double glazed glass-case	
6	75 13 0001	Door handle for Sh-EB series	**
7	75 13 0008	Stop for Sh-EB handle	
8	75 13 0002	Sh-EB external handle frame	**
9	00 03 5002	TC+ 3,9 x 9,5 self-tapping screw	
10	61 13 0001	Handle pin fastener	
11	13 13 0001	Lock pin	
12	61 10 1008	Complete EB glass-case seal	
13	61 10 0021	Right hand longitudinal member EB	
14	00 04 0068	Carillon pin 8 x 45	
15	00 04 0059	8x32 pin	
16	00 03 3003	D.7 radial	
18	00 03 5009	Self-tapping screw wide head 3,9 x 9,5	
19	71 13 0001	Frame for Sh-EB handle	**
20	61 13 0006	EB handle carillon	
21	61 10 1026	EB/EP8 neon lamp glass cover	
22	61 51 1002	EB/EP8/EM8S neon starter head	
23	00 02 8005	Starter for neon	
24	61 51 1003	Spring clips for EB/EP8/EM8S neon	
25	12 10 0004	36W neon lamp	
26	61 15 3011	EB neon wiring harness part 2 heads	
27	61 51 1001	Head for EB/EP8/EM8S neon	
28	00 01 2005	Insulator 4 x 10 (per mt)	
29	61 10 1025	EB lamp glass cover fastener	
30	61 10 3003	EB Door frame	**
31	61 10 3028	EB Lower door aesthetic protection	**
32	00 01 1004	Small yellow 'Voltage' sticker	
33	61 10 3051	EB upper door reinforcing triangle	
34A	61 10 3042	EB Vertical door separator	
34B	61 10 3043	EB-Pro Vertical door separator	
35	00 01 3003	Aluminium rivet 2,9 x 9	
36	61 10 0024	EBR Upper door aesthetic protection	**
37	13 11 9015	EBR Lower support	**
38	13 11 9016	Rh Aesthetic profile h=1227	**
39	75 10 1089	Rh Aesthetic profile h=1660	**
40	13 11 9014	EBR Upper support	**
41	00 01 8002	Aesthetic module with window	**
42	00 01 8001	Neutral aesthetic module	**
43	00 01 8003	Coin introduction aesthetic module	**
44	00 01 8004	Coin return aesthetic module	**
45	61 10 9014	Rh Luce Upper support	**
46	61 10 9016	Rh Luce Aesthetic profile h=1150	**
47	61 10 9017	Rh Luce Aesthetic profile h=1660	**
48	00 01 8001	Neutral aesthetic module	**
49	00 01 8032	Display mask glass	**
50	00 01 8003	Coin introduction aesthetic module	**
51	61 10 9015	Rh Luce Lower support	**
52	00 01 8031	Istructions transparent glass	



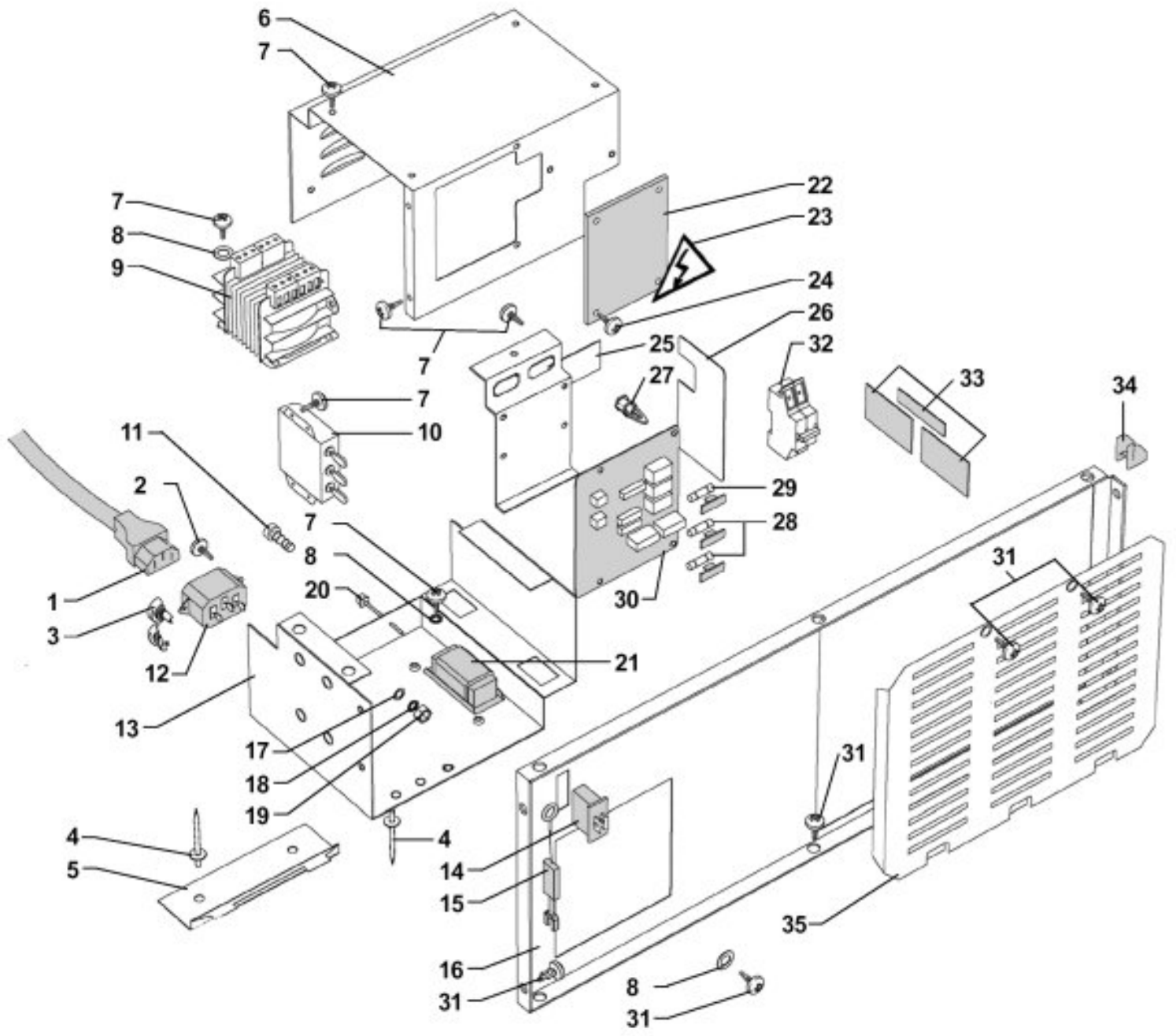
Pos.	Code	Description
1	00 01 3003	Aluminium rivet 2,9 x 9
2	61 10 0050	Polycarbonate products wing
3	65 15 0015	Right FTCA sensor support
4	00 06 7006	EB IR FTCA barrier Rx Card
5	00 01 2007	Veolene 6 x 65
6	00 03 5052	TC+ 3,9x 9,5 self-tapping screw without point
7	00 06 7005	EB IR FTCA barrier Tx Card
8	00 01 2007	Veolene 6 x 65
9	65 15 0016	Left FTCA sensor support
10	61 10 3054	Rod for R.2 EB anti-theft
11	61 10 3045	R.2 EB product anti-theft spring
12	61 10 3012	EB tray anti-theft panel
13	61 10 3029	EB Outlet support
14	00 03 3005	D. 5 radial
15	61 10 3044	Spring for R.2 EB product flap
16	61 10 3035	EB R.2 front door pin
17	61 10 3034	Anti-theft panel lever
18	61 10 0008	Pin for flap door lever
19	61 10 3006	EB product extraction door sheet
20	61 10 3007	Product extraction external door "Push"
21	00 03 3006	Radial D. 8
22	00 03 2012	Brass washer D.8
23	00 03 1010	Flanged nut M4
24	00 03 2002	D.4 Washer
25	61 10 0047	EB safety switch bracket
26	61 10 3031	Product extraction tray external casing
27	61 10 3033	EB product collection tray
28	13 10 0046	Stud bolt M4
29	00 01 2010	Veolene thickness 10 x 155 (mt)
30	00 01 2012	20mm veolene (m)



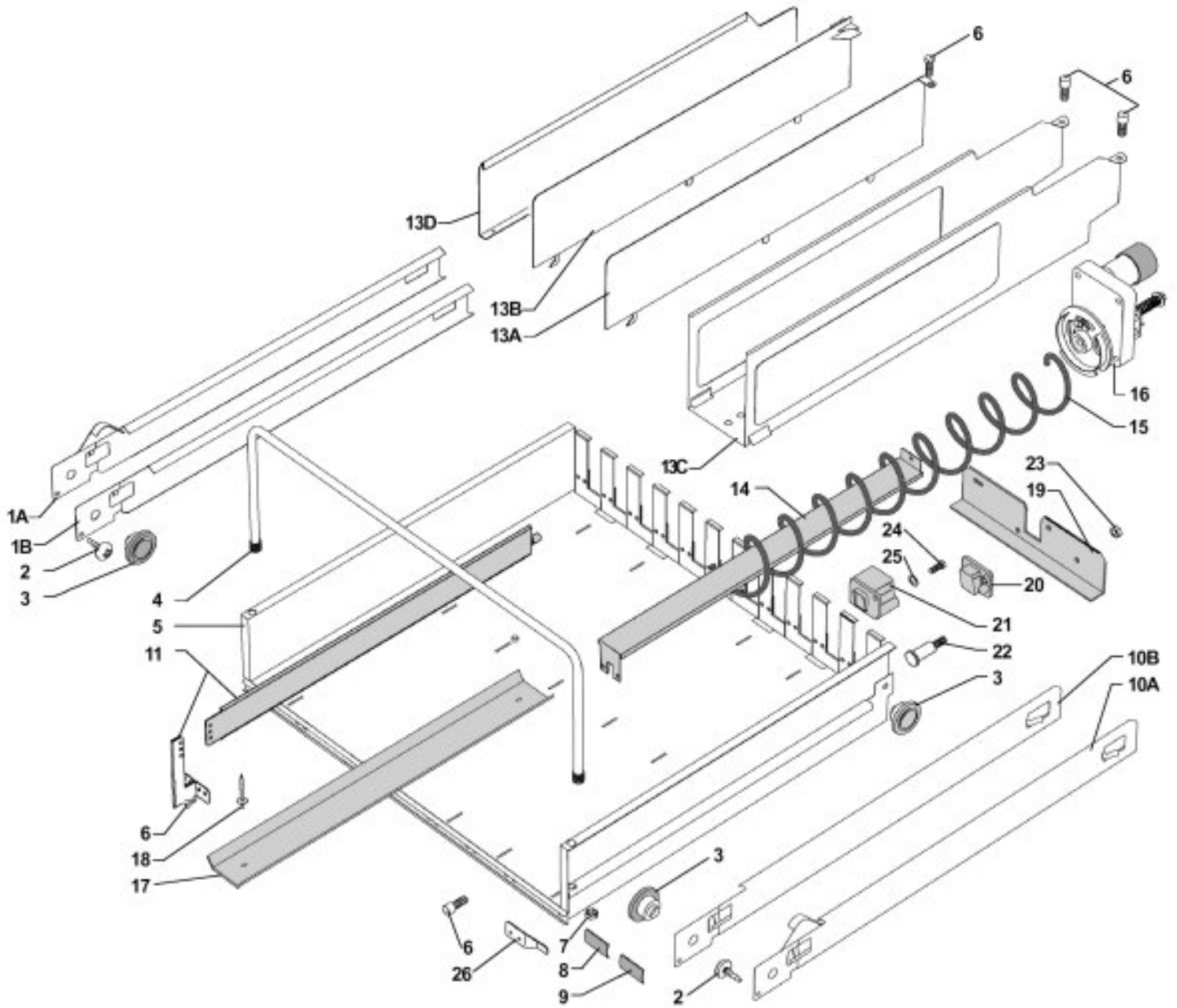
Pos.	Code	Description	
1	61 12 0048	Coin wing	
2	00 03 5002	TC+ 3,9 x 9,5 self-tapping screw	
3	00 01 8030	Coin entry slide	
4	00 01 6006	Spring for change return lever	
5	61 12 0033	Lower square for EB coin rejection	
6	61 12 0040	EB coin rejection lever pin	
7	00 01 8024	Coin rejection lever split pin	
8	61 12 0039	EB change return lever	
9	00 03 2001	Washer D. 3	
10	00 03 2051	External toothed washer D.3	
11	00 03 1001	D. 3 Nut	
12	61 12 0015	Change return lever square	
14	13 11 1006	Coin return button with pin	
15	61 12 0032	EB raceway support	
16	00 03 4071	TC+ 4 x 16 Screw	
17	61 12 0036	Removable EB door plate	
18	00 06 1008	EB/EP8 Master electronic card	
19	00 03 1001	D. 3 Nut	
20	00 04 0051	8 x 25 Spacer	
21	61 12 0001	EB Coin box support	
22	61 12 0041	EB outlet and change slide	**
23	00 03 1010	Flanged nut M4	
24A	61 10 3052	EB middle door reinforcing triangle	
24B	61 10 3053	EB Luce middle door reinforcing triangle	
25	61 12 0013	Coin box handle	
26A	61 12 0043	EB coin box	
26B	61 12 1043	EB Luce coin box	
27	00 06 9004	EB keyboard cable	
29	00 01 4061	EB membrane keyboard transparent key	
30	61 15 0005	Support for CPU EB	
31	00 03 4006	TC 3 x 35 Screw	
32	00 03 5004	TC+ 2,9 x 6,5 Self-tapping screw	
33	61 12 0034	EB coin box lower square	
34	00 06 9003	EB Display flat cable	
35A	00 06 1009	EB display card	
35B	00 06 1012	EB/EP8 display card	
36	00 03 4002	TC 3 x 20 Screw	
37	00 06 1051	Membrane keyboard for EB	
38	61 15 0017	EB membrane keyboard frame	**
39	00 01 8009	Rh coin return flap	
40	61 12 0049	EB coin box cover	
41	00 04 0071	Spacer for display 8 x 11	



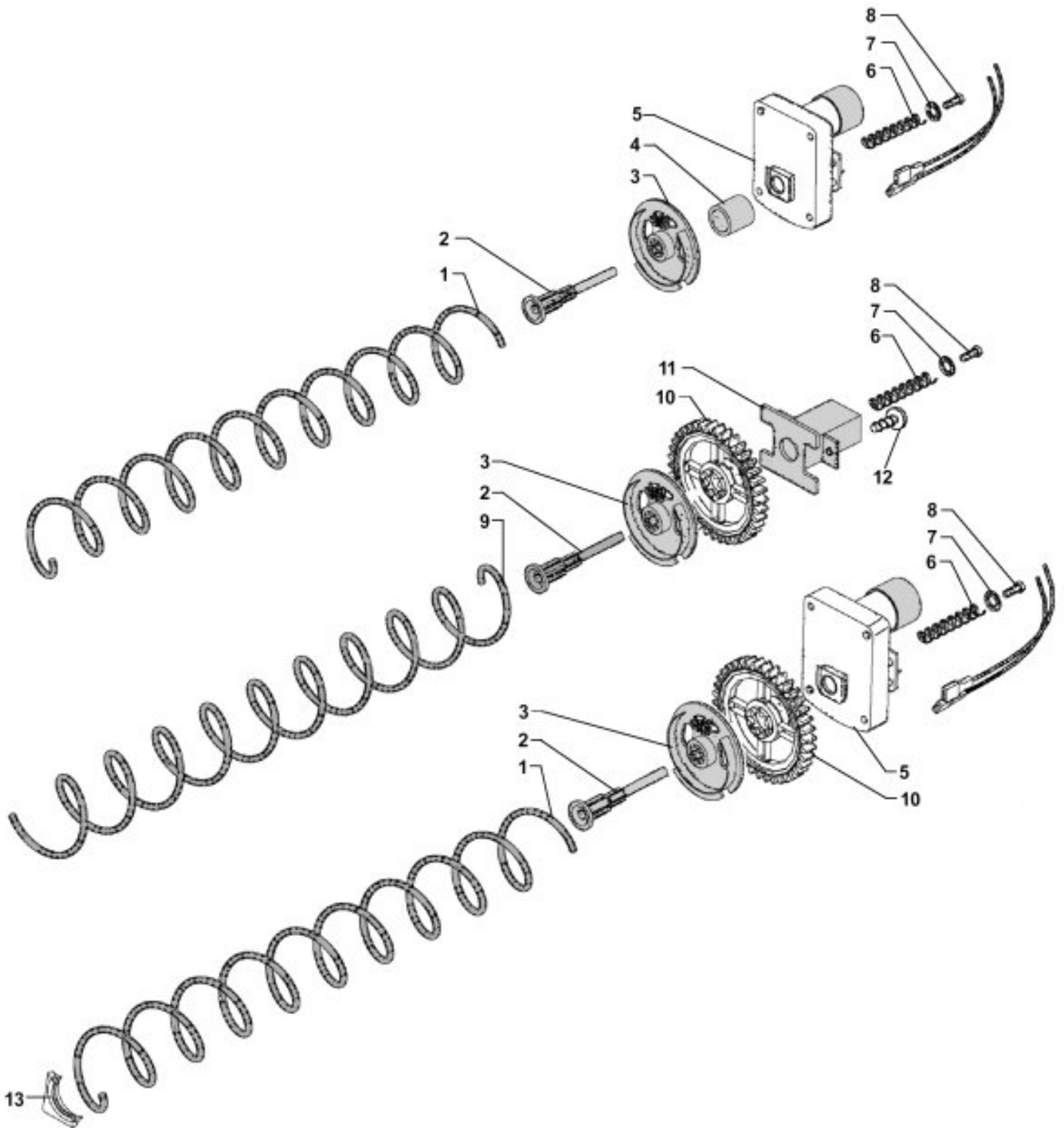
Pos.	Code	Description
1	00 03 5009	Self-tapping screw wide head 3,9 x 9,5
2A	61 40 0004	EB Combi compressing fan
2B	61 40 0010	EB Snack blowing fan
3	00 01 1002	Plastic clip 2,5 x 160
4	61 40 0005	EB fan support
5	61 40 0002	EB evaporator cover
6	61 40 0001	EB Cooling unit
7	12 40 0016	Amperometric relay for cooling unit
8	12 40 0015	Klixon for cooling unit
9	00 03 1008	Flanged nut M6
10	00 03 2010	Washer D. 6 x 18
11	12 40 0003	Silicone pipe (mt)
12	00 03 4033	TE 6 x 25 Screw
13	13 40 0018	Plastic evaporator codensate tray
14	12 40 0010	Fan for refrigerator unit compressor
16	00 03 4027	TE 6 x 16 Screw
17	00 04 0038	Pipe for refrigerator tray
18	12 40 0014	Gasket for tray pipe
19	14 40 1001	FM Sh EB Discharge support square
20	75 40 0004	SL-SLP-EB Evaporator support
21	00 01 1001	Clamp holder
22	00 01 1002	Plastic clip 2,5 x 160
23	00 03 5004	TC+ 2,9 x 6,5 Self-tapping screw
24	13 40 0011	Temperature probe for DS2 card



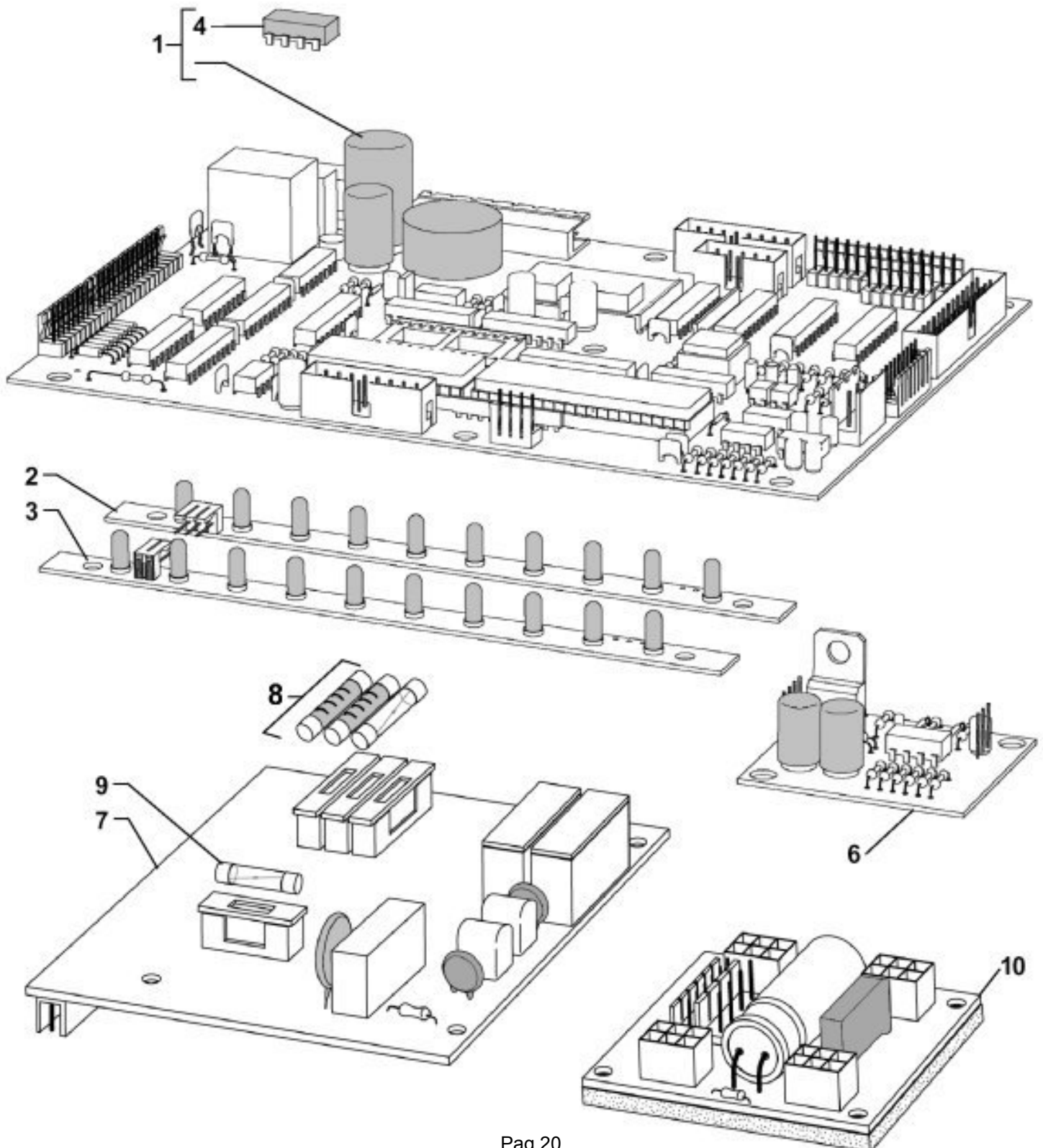
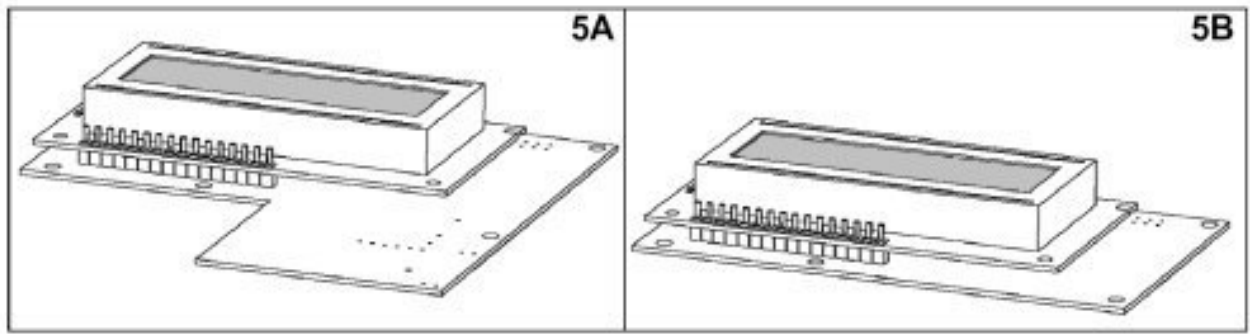
Pos.	Code	Description
1	00 02 1056	Feeding cable with S31 plug
2	00 03 5002	TC+ 3,9 x 9,5 self-tapping screw
3	00 02 1072	Reopenable plastic cable lock
4	00 01 3003	Aluminium rivet 2,9 x 9
5	61 51 0008	Bracket for electrical casing EB
6	75 51 0014	Electric box cover SL-EB
7	00 03 5052	TC+ 3,9x 9,5 self-tapping screw without point
8	00 03 2052	External toothed washer D. 4
9	61 51 0005	EB transformer
10	00 02 0052	Screened 20A voltage filter
11	00 03 4001	TC 3 x 16 Screw
12A	00 02 0071	Panel pin with screws
12B	00 02 0073	Panel pin with filter 10A
13	75 51 0004	Electric box frame Sh-EB
14	00 02 7006	Door safety switch
15	00 02 7007	Safety switch key
16	61 50 0005	EB front grid
17	00 03 2001	Washer D. 3
18	00 03 2051	External toothed washer D.3
19	00 03 1001	D. 3 Nut
20	00 01 1002	Plastic clip 2,5 x 160
21A	61 51 0006	EB lamp reactor
21B	61 51 1006	EB lamp reactor 36W
22	61 51 0007	EB electrical casing smoked window
23	00 01 1004	Small yellow 'Voltage' sticker
24	00 03 5052	TC+ 3,9x 9,5 self-tapping screw without point
25	61 51 0015	Power card support EB
26	75 51 0007	Magneto. Switch separator SL-EB
27	00 02 5055	6 mm height spacer
28	00 02 9004	Delayed fuse 5x20 T4A
29A	00 02 9002	Delayed fuse 5x20 T6,3A
29B	00 02 9005	Delayed fuse 5x20 T2A
30A	00 06 5003	Relay card DS2-POT V.6.2 probes
30B	00 06 5004	EB relay card
31	00 03 5009	Self-tapping screw wide head 3,9 x 9,5
32	61 51 0009	6A Magnetothermal switch
33	61 51 0012	EB electrical casing connection sticker
34	00 01 5003	Large 'U'-gasket (per Mt)
35	71 40 1006	Front cabinet sheet metal inspection



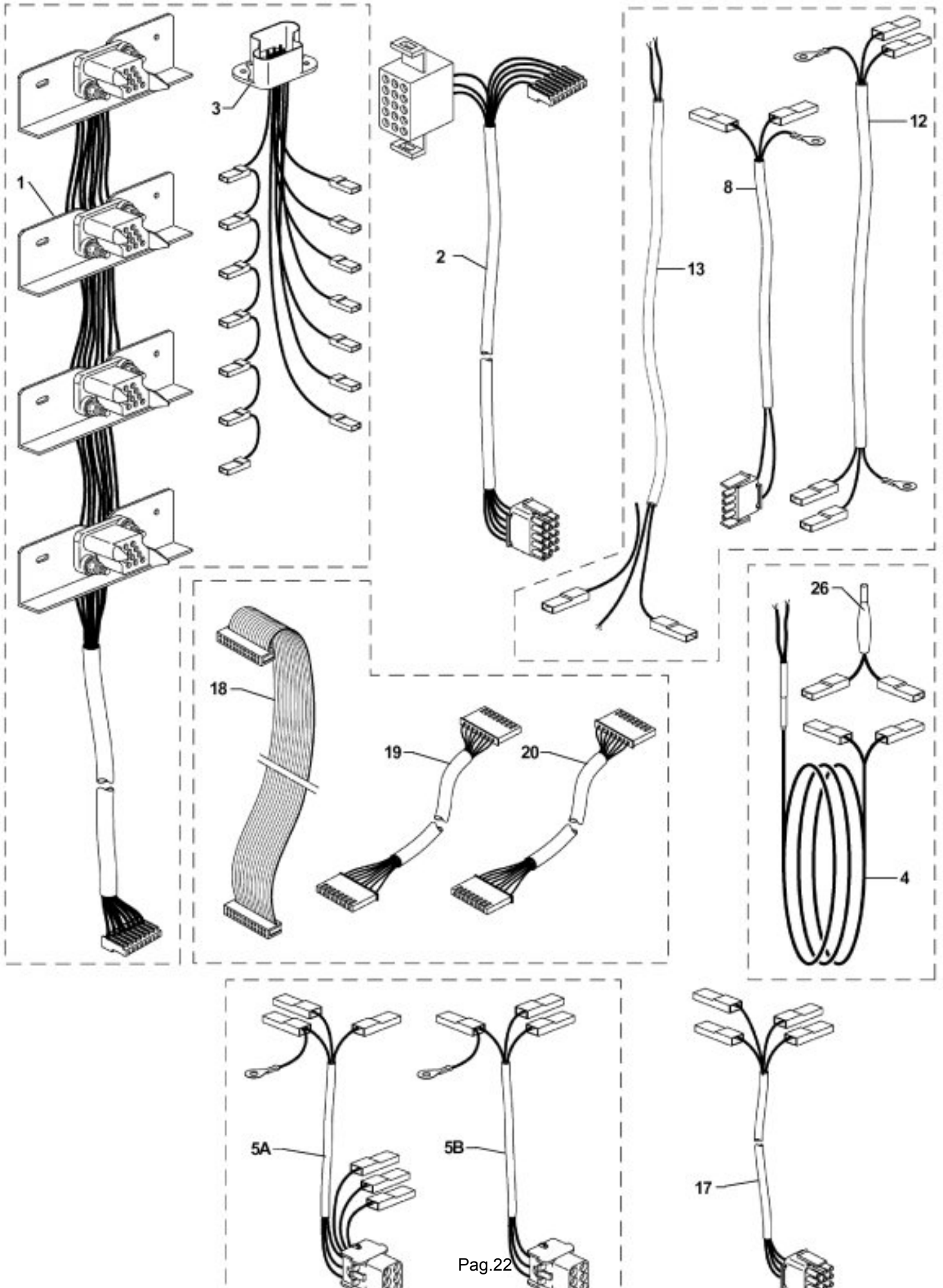
Pos.	Code	Description
1A	61 30 1003	EB Drawer reclining left-hand guide
1B	61 30 0003	EB Drawer fixed left-hand guide
2	00 03 5009	Self-tapping screw wide head 3,9 x 9,5
3	61 30 0015	EB/EP8 drawer sliding wheel
4A	61 30 0028	Upper bottle drop stopper
4B	61 30 1028	Lower bottle drop stopper
5A	61 30 0010	Coated drawer 7 spirals
5B	61 36 0010	Coated drawer 6 spirals
6	00 03 5004	TC+ 2,9 x 6,5 Self-tapping screw
7	00 03 1052	D. 6 self-tapping Nut
8	61 32 0011	EB position sheet
9	61 32 0021	EB/EP8 price sheet
10A	61 30 1002	EB Drawer reclining right-hand guide
10B	61 30 0002	EB Drawer fixed right-hand guide
11	61 30 1026	Spiral separator
13A	61 30 0024	Metal product separator
13B	61 30 1024	Plastic product separator
13C	61 30 2024	Double product separator
13D	61 36 2024	Metal product separator (6 spirals)
14	61 30 0017	Product support bridge stainless steel
15	V t	See Spiral Unit (Table I1)
16	V t	See Spiral Unit (Table I1)
17	61 30 0008	Product conveyor spiral
18	00 01 3003	Aluminium rivet 2,9 x 9
19	61 30 0006	Connector support plate
20	00 02 3062	Femal anti-extraction connector
21	00 02 3061	Male anti-Extraction connector
22	00 04 0065	EB connector spacer 12,5 x 8
23	00 03 1010	Flanged nut M4
24	00 03 5003	TC+ 4,2 x 13 Self-tapping screw
25	00 03 2002	D.4 Washer
26	61 30 0041	Drawers stop bracket



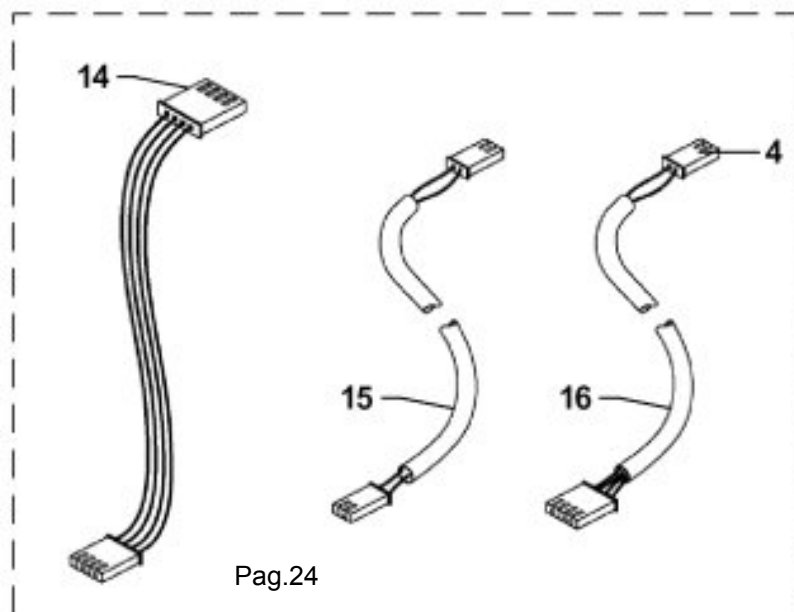
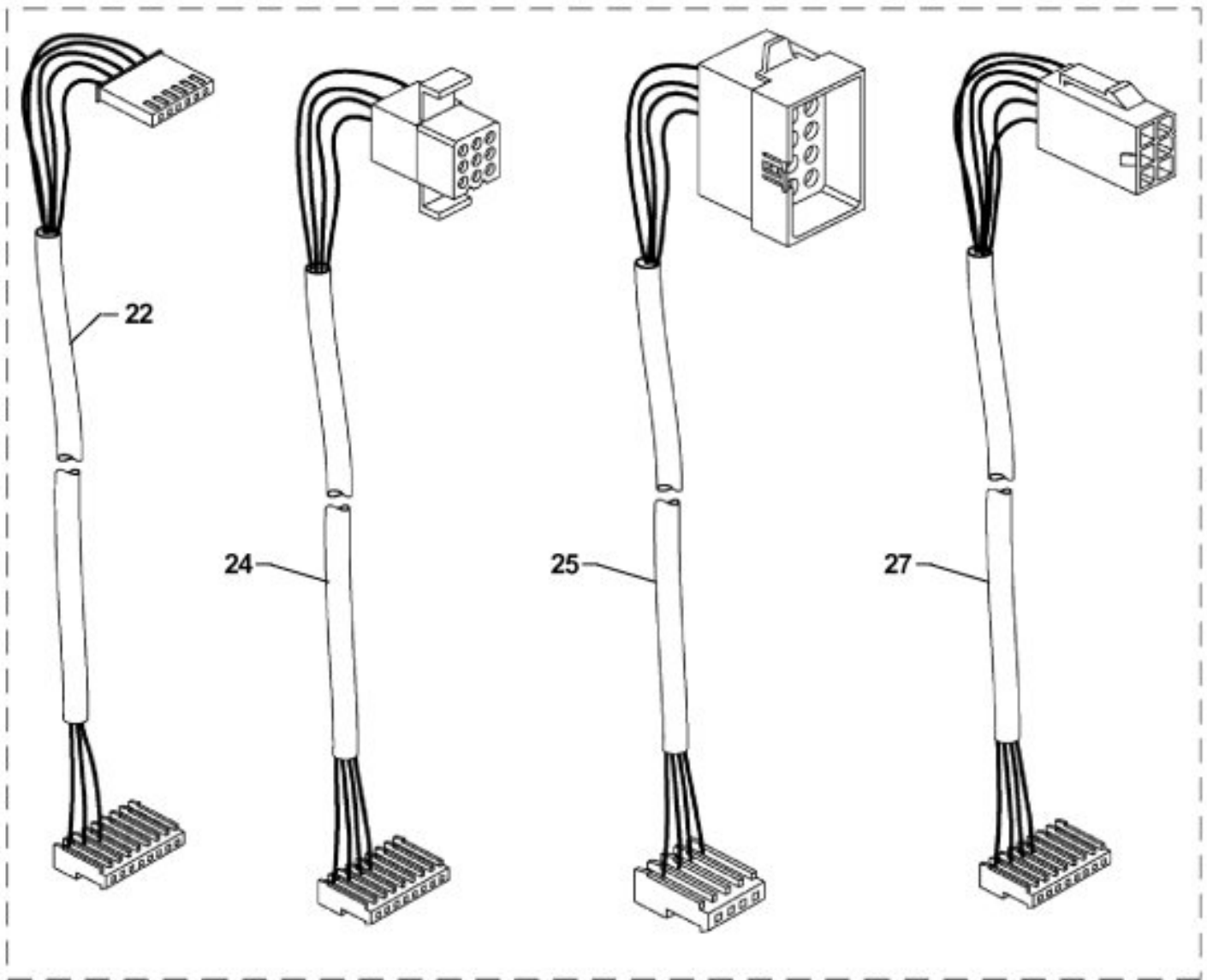
Pos.	Code	Description
1A	61 31 1024	Right spiral D.65 thread 24 (20 products)
1B	61 31 1032	Right spiral D.65 thread 32 (15 products)
1C	61 31 1045	Right spiral D.65 thread 45 (10 products)
1D	61 31 1060	Right spiral D.65 thread 60 (8 products)
1F	61 31 1079	Right spiral D.65 thread 78,5 (6 products)
1G	61 31 1091	Right spiral D.65 thread 94 (5 products)
2	61 30 0029	Spiral motor shaft
3	61 30 0012	Spiral attachment ring nut
4	61 30 0033	Bush for spiral without gears
5	61 30 0011	Spiral gearmotor
6	61 30 0030	Spiral motor shaft spring
7	00 03 4014	TCE 6 x 16 Screw
8	00 03 5001	TC+ 2,9 x 9,5 Self-tapping screw
9A	61 31 2024	Left spiral D.65 thread 24 (20 products)
9B	61 31 2032	Left spiral D.65 thread 32 (15 products)
9C	61 31 2045	Left spiral D.65 thread 45 (10 products)
9D	61 31 2060	Left spiral D.65 thread 60 (8 products)
9F	61 31 2079	Left spiral D.65 thread 78,5 (6 products)
10	61 30 0031	Spiral toothed wheel
11	61 30 0032	Bush for toothed wheel
12	00 03 5012	Self-tapping screw TC+3,9x6,5 without point
13	60 30 0043	Small spoon for spiral



Pos.	Code	Description
1	00 06 1008	EB/EP8 Master electronic card
2	00 06 7006	EB IR FTCA barrier Rx Card
3	00 06 7005	EB IR FTCA barrier Tx Card
4	00 06 6002	Time keeper
5A	00 06 1009	EB display card
5B	00 06 1012	EB/EP8 display card
6	00 06 7007	EB IR-FTCA barrier interf. Card
7	00 06 5004	EB relay card
8A	00 02 9004	Delayed fuse 5x20 T4A
8B	00 02 9005	Delayed fuse 5x20 T2A
9	00 02 9002	Delayed fuse 5x20 T6,3A
10	00 06 7051	MDB multi card



Pos.	Code	Description
1	61 52 0001	Connection wiring for EB 7 drawers
2	61 15 0009	EB door wiring
3	61 30 0014	EB draw wiring
4	71 14 0004	EB-SP wiring for probe
5A	61 51 0011	EB fan cable
5B	61 51 3011	EB-S fan cable
8	61 15 0012	EB neon cable
12	61 15 3010	EB neon wiring harness part 1 on door
13	61 15 3011	EB neon wiring harness part 2 heads
17	75 51 0012	Sh-EB safety switch wiring
18	00 06 9003	EB Display flat cable
19	00 06 9007	EB membrane keyboard LED cable
20	00 06 9004	EB keyboard cable
26	13 40 0011	Temperature probe for DS2 card



Pos.	Code	Description
14	65 15 0021	IR interface card cable
15	65 15 0022	IR transmitter cable
16	65 15 0023	IR receiver cable
22	00 06 7054	MDB-EB multi cable
23	61 51 0018	EB-PRO Heating element wiring
24	14 12 2001	Executive conn. cable
25	00 06 7052	Multi-MDB power supply cord
27	61 15 0016	MDB EB Single cable