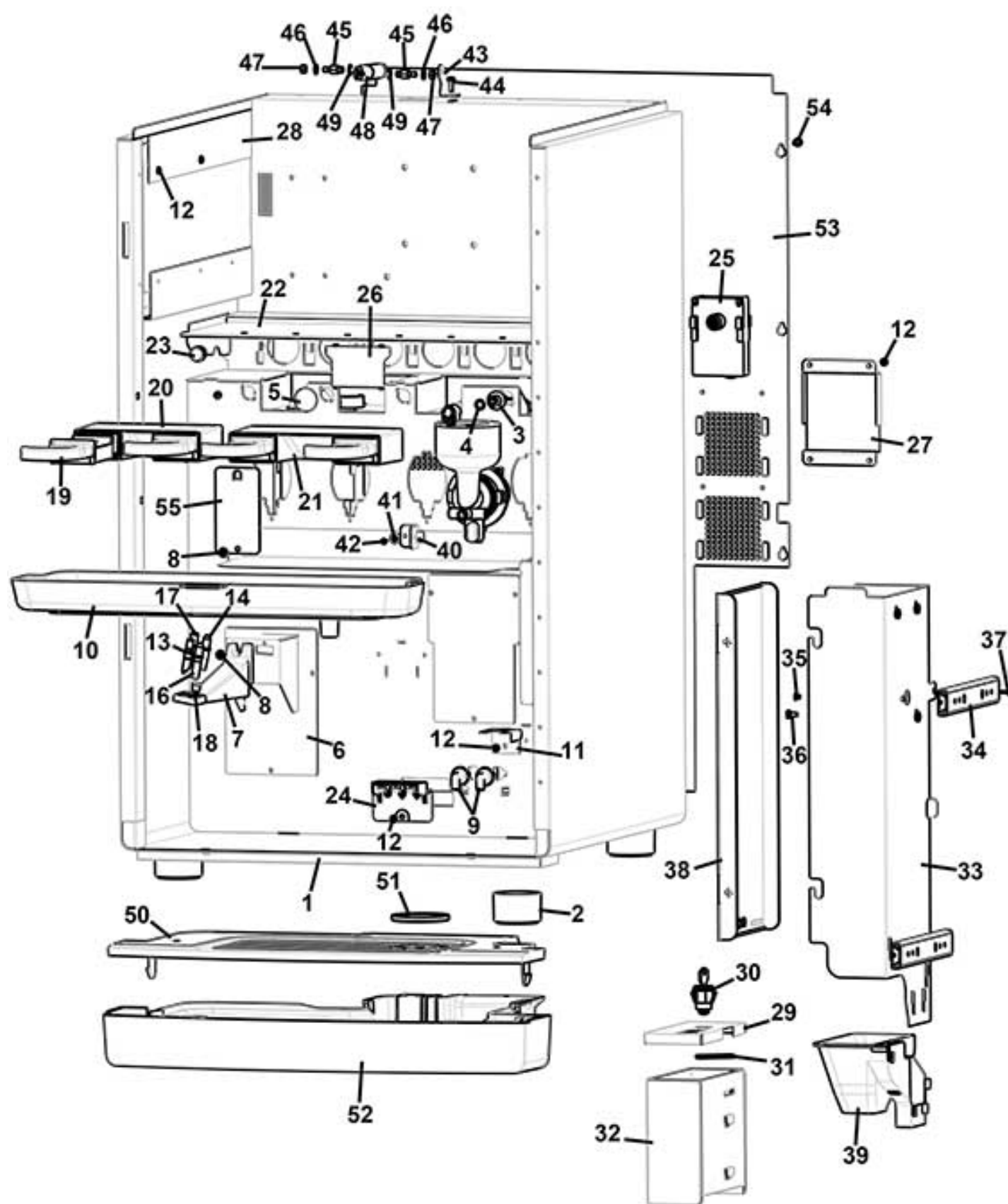


[DOPPIO]

DOPPIO - cabinet (instant version)

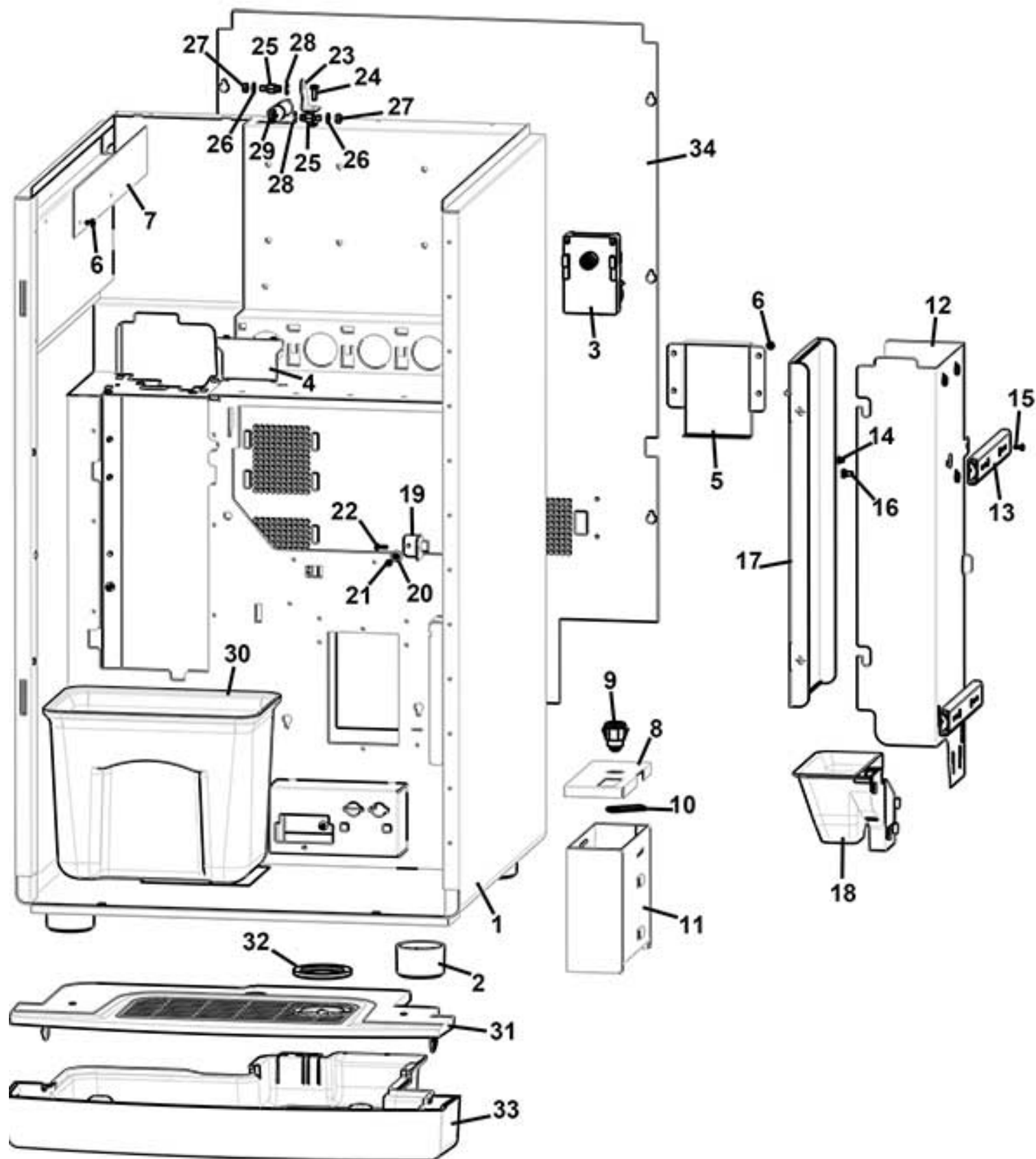


DOPPIO

DOPPIO - cabinet (instant version)

Pos. Code	Description
1	0010026105NA CABINET (BLACK)
2	0010024111CL1 AS MACHINE FOOT D.50X29 RAL9005
3	0080100043 MIXER CONNECTOR (BLACK)
4	GUA0000085 OR 106 SILICON
5	0080100035NA CONNECTOR PLUG BLACK
6	0380011700NA NOZZLE HOLDER (BLACK)
7	0380011551NA 6 NOZZLES HOLDER (BLACK)
8	VIT0002401 SCREW ST HEAD CAP M3.5X9.5
9	0080100084 90A° CONNECTOR
10	0070035005NA DRIP TRAY (BLACK)
11	0070035014NA DRIP TRAY TUBE PLATE (BLACK)
12	VIT0002009 SCREW ST HEAD CAP M3.5X6.5
13	0380011665EB COFFEE NOZZLE (RAL8019)
14	0380011667MD TEA NOZZLE (RAL6032)
16	0380011666CK MILK NOZZLE (RAL7037)
17	0380011665EB COFFEE NOZZLE (RAL8019)
18	0380010656NA PLUG BLACK
19	0010027022 TRAP DRAWER REMOVABLE
20	0010027021 TRAP DRAWER
21	0010027037 TRAP DRAWER
22	0010026131NA CANISTER SUPPORT (BLACK)
23	VIT0009168 KNURLED HANDLE
24	0070035010CL AS DRIP TRAY SENSOR SUPPORT
25	0090002113 MOTOR 24 DC 97 RPM
26	0010020029NA GEARBOX MOTOR PLUG BLACK
27	0010026019NA BULKHEAD
28	0010026128NA WIRING COVER (BLACK)
29	0030010166NA COIN BOX LID (BLACK)
30	SER0000020 LOCK MM20 + KEY 3425
31	SER0001005 LOCK PLATE
32	0030010160NA COIN BOX (BLACK)
33	0010026022NA PAYM SYSTEM SUPPORT BLACK
34	VIT0010201 GUIDE
35	VIT0000133 SCREW COUNT FLAT HEAD M4X5
36	4060010126 PAYM SYSTEM FIXING SCREW
37	VIT0000004 SCREW HEAD TAP CAP M3X10
38	0010026171TR PAYM SYSTEM COVER TRANSPARENT
39	0010026025NA COINS CHUTE
40	0010026167 MAGNET SUPPORT
41	ELT0030760 MAGNET D 10X3
42	VIT0000121 SCREW COUNT FLAT HEAD M3X8
43	0010026032NA GAS SPRING LOWER BRACKET
44	VIT0000013 SCREW HEAD TAP CAP M4X12
45	0010026033 GAS SPRING PIN
46	VIT0003004 WASHER 5,3X10X1
47	VIT0004804 NUT M5
48	VIT0010202 GAS SPRING 20MM
49	VIT0006504 RING 5
50	0020043058NA DRIP TRAY GRID
51	0020043019 DRIP TRAY GRID RING
52	0020043056CL AS DRIP TRAY
53	0010026117-01NA REAR DOOR (BLACK)
54	VIT0001005 SCREW HEAD TAP CAP M4X12
55	0010020028NA MIXER PLUG BLACK

DOPPIO - cabinet (espresso version)

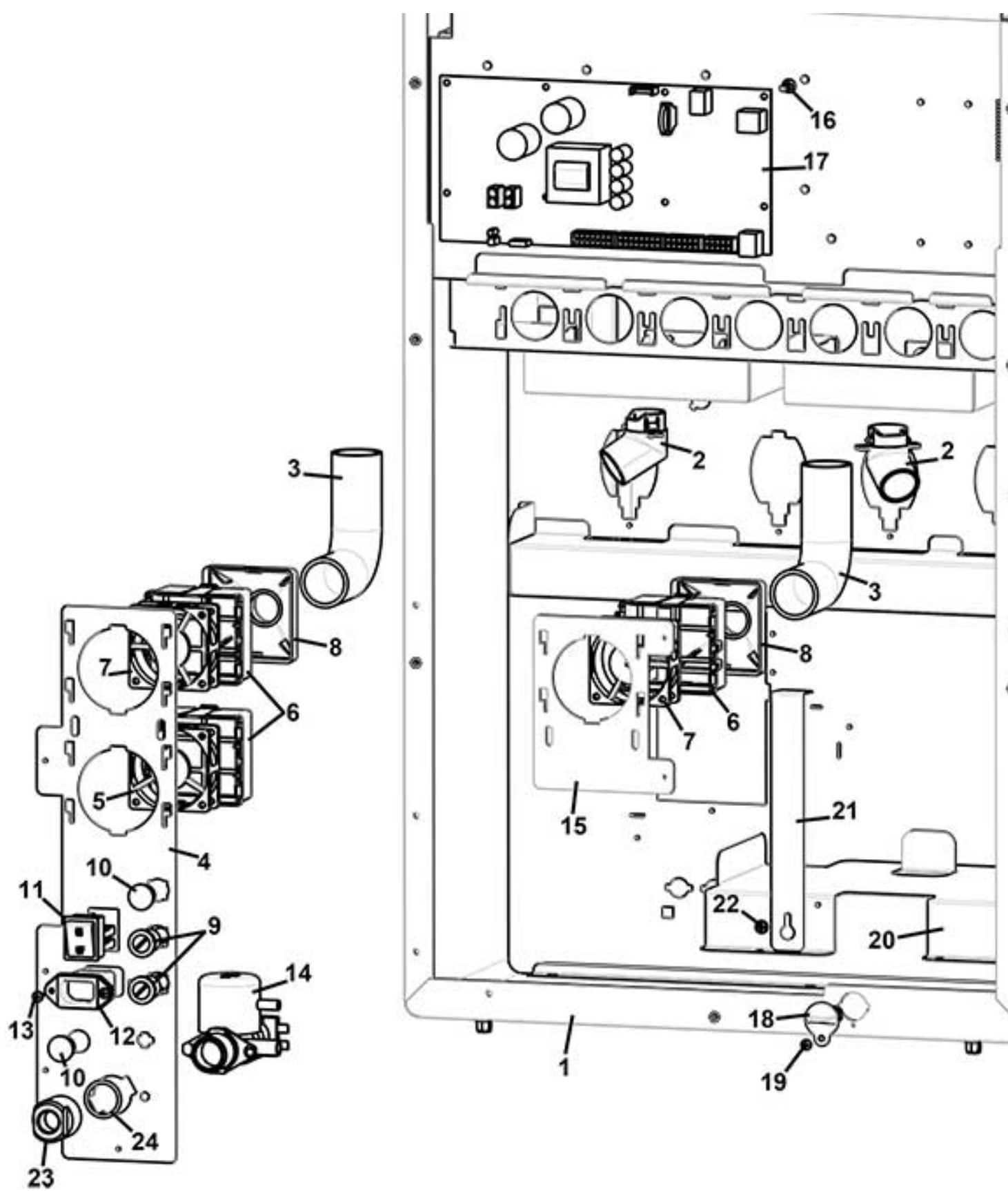


DOPPIO

DOPPIO - cabinet (espresso version)

Pos. Code	Description
1 0010026155NA	CABINET (BLACK)
2 0010024111CL1	Å§ MACHINE FOOT D.50X29 RAL9005
3 0090002113	MOTOR 24 DC 97 RPM
4 0010020029NA	GEARBOX MOTOR PLUG BLACK
5 0010026018NA	BULKHEAD
6 VIT0002009	SCREW ST HEAD CAP M3.5X6.5
7 0010026165NA	WIRING COVER
8 0030010166NA	COIN BOX LID (BLACK)
9 SER0000020	LOCK MM20 + KEY 3425
10 SER0001005	LOCK PLATE
11 0030010160NA	COIN BOX (BLACK)
12 0010026022NA	PAYM SYSTEM SUPPORT BLACK
13 VIT0010201	GUIDE
14 VIT0000133	SCREW COUNT FLAT HEAD M4X5
15 VIT0000004	SCREW HEAD TAP CAP M3X10
16 4060010126	PAYM SYSTEM FIXING SCREW
17 0010026171TR	PAYM SYSTEM COVER TRANSPARENT
18 0010026025NA	COINS CHUTE
19 0010026167	MAGNET SUPPORT
20 ELT0030760	MAGNET D 10X3
21 VIT0000121	SCREW COUNT FLAT HEAD M3X8
22 VIT0000004	SCREW HEAD TAP CAP M3X10
23 0010026032NA	GAS SPRING LOWER BRACKET
24 VIT0000013	SCREW HEAD TAP CAP M4X12
25 0010026033	GAS SPRING PIN
26 VIT0003004	WASHER 5,3X10X1
27 VIT0004804	NUT M5
28 VIT0006504	RING 5
29 VIT0010202	GAS SPRING 20MM
30 0010026121NA	GROUND CONTAINER (BLACK)
31 0020043058NA	DRIP TRAY GRID
32 0020043019	DRIP TRAY GRID RING
33 0020043056CL	Å§ DRIP TRAY
34 0010026015-02NA	REAR DOOR (BLACK)

DOPPIO - rear view cabinet (instant version)

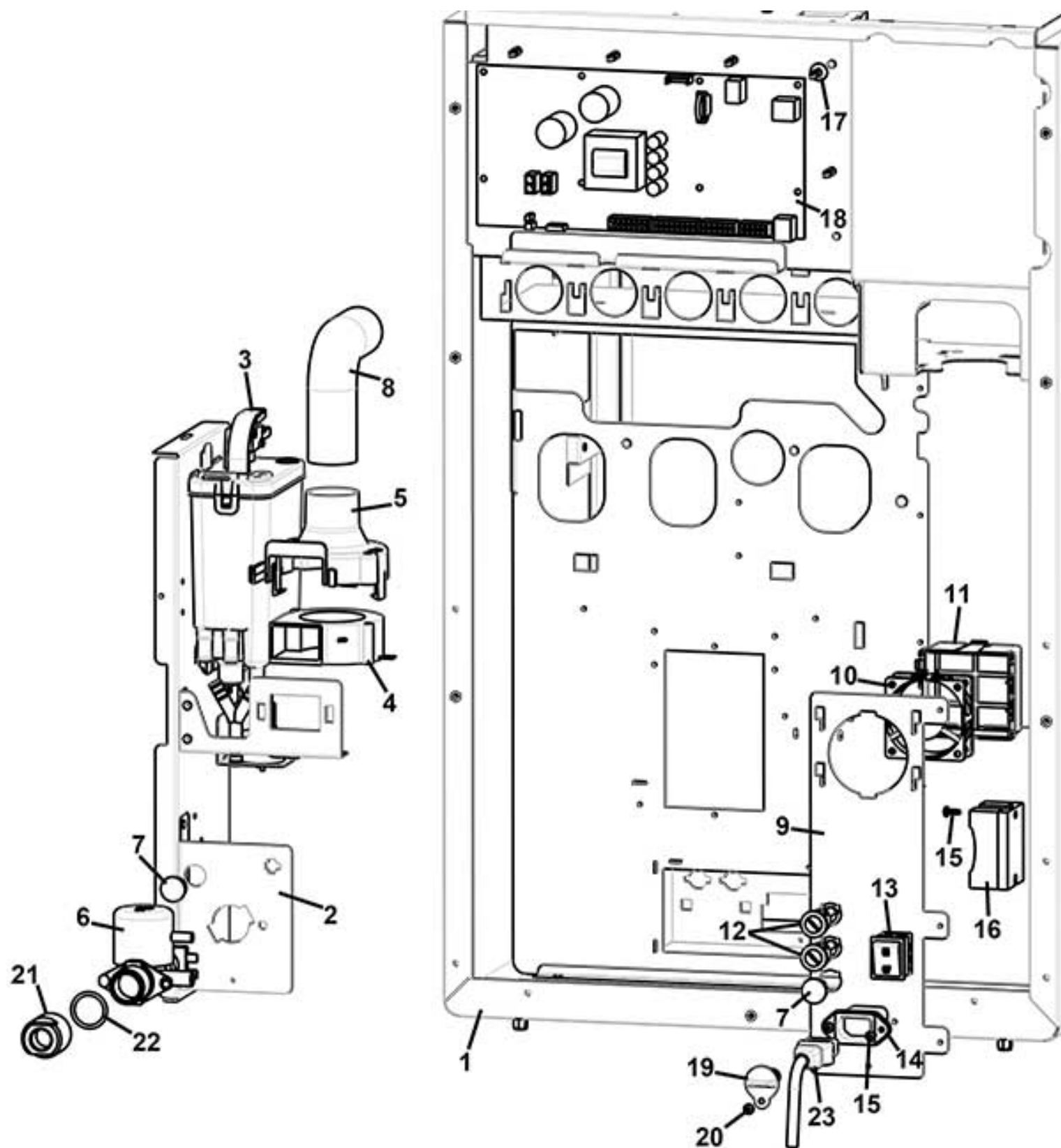


DOPPIO

DOPPIO - rear view cabinet (instant version)

Pos. Code	Description
1 0010026105NA	CABINET (BLACK)
2 0010027043NA	EXTRACTOR TUBE BLACK
3 TEOL000002CL2	L.220M D.30 WRINKLED PIPE
4 0010026123NA	HYDRAULIC/ELECTRIC COMPONENTS SUPPORT
5 ELE0000462	FAN 24V DC-LOW SPEED
6 0010027064	FAN SUPPORT
7 ELE0000461	FAN 24V DC-HIGH SPEED
8 0010027065	FAN CONNECTOR
9 ELE0003508CL	FUSE HOLDER
10 GUA0011010	PLUG
11 ELE0002014CL3	BIPOLAR SWITCH 15A 250V
12 ELE0002315	MAINS SOCKET 115/250V 10A
13 VIT0002010	SCREW ST HEAD CAP M3.5X9.5
14 0110001086	WATER INLET VALVE 24V DC
15 0010026129NA	TRAP SUPPORT
16 ELE0062020	BOARD SUPPORT
17 SCH0008964	CPU/POWER BOARD
18 0600016455	H2O OUTLET PLUG
19 VIT0002009	SCREW ST HEAD CAP M3.5X6.5
20 0600019739NA	BOILER SUPPORT (BLACK)
21 0600019736	BOILER BRACKET
22 VIT0002401	SCREW ST HEAD CAP M3.5X9.5
23 0810010558	WATER INLET VALVE CONNECTOR
24 GUA0000021	OR 130

DOPPIO - rear view cabinet (espresso version)

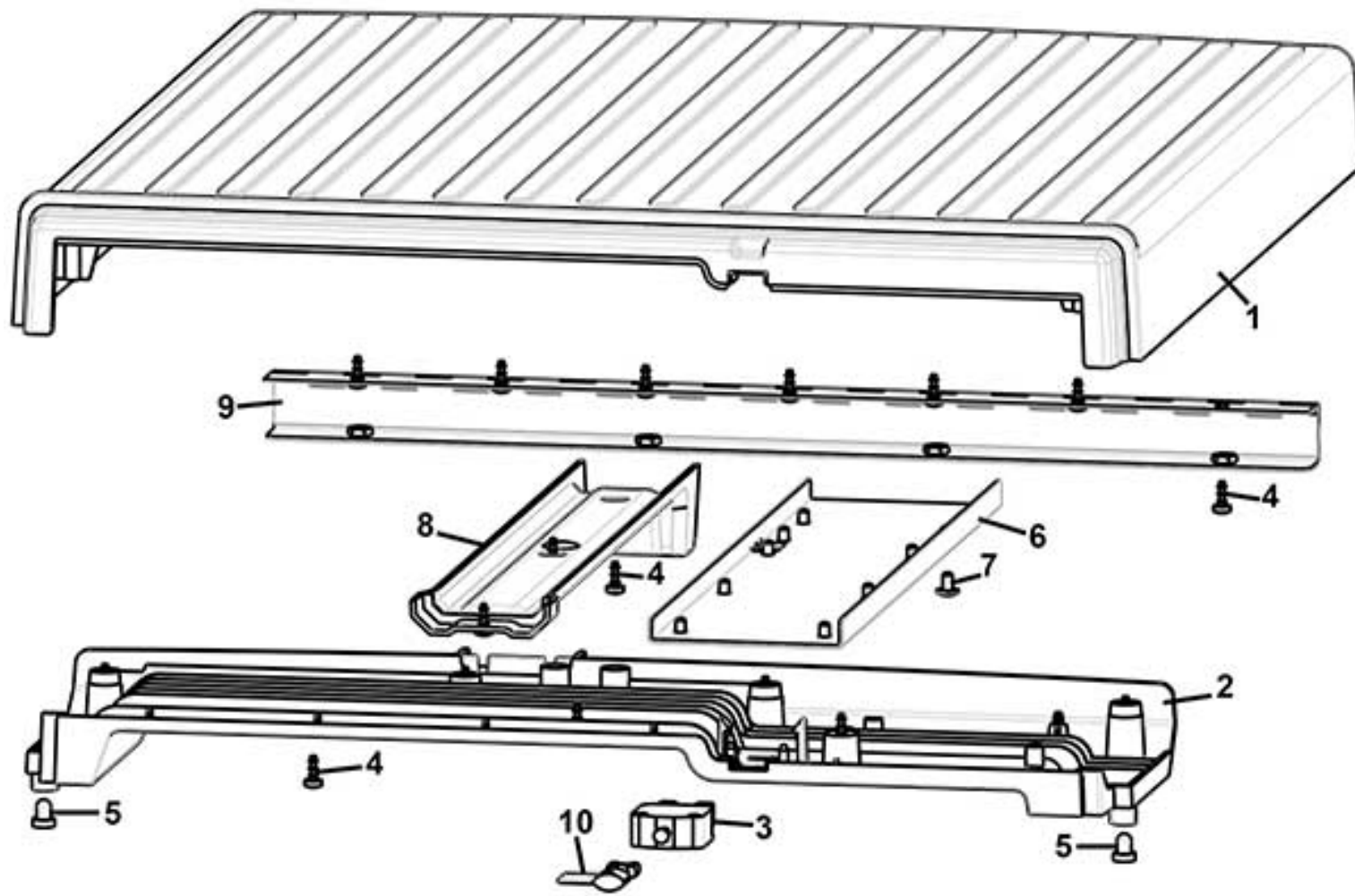


DOPPIO

DOPPIO - rear view cabinet (espresso version)

Pos. Code	Description
1 0010026155NA	CABINET (BLACK)
2 0010026046NA	AIR BREAK SUPPORT (BLACK)
3	See table water inlet panel
4 ELE0000465R	Å§ TRAP 24V DC
5 0010024129NA	TRAP SUPPORT
6 0110001086	WATER INLET VALVE 24V DC
7 GUA0011010	PLUG
8 TEOL000002CL2	L.220M D.30 WRINKLED PIPE
9/a 0130013082NA	ELECTRIC COMPONENTS SUPPORT (BLACK)
9/b 0130013085NA	ELECTRIC COMPONENTS SUPPORT (BLACK)
10 ELE0000462	FAN 24V DC-LOW SPEED
11 0010027064	FAN SUPPORT
12 ELE0003508CL	FUSE HOLDER
13 ELE0002014CL3	BIPOLAR SWITCH 15A 250V
14 ELE0002315	MAINS SOCKET 115/250V 10A
15 VIT0002010	SCREW ST HEAD CAP M3.5X9.5
16 ELE0001012R	Å§ RELAY + COVER
17 ELE0062020	BOARD SUPPORT
18 SCH0008964	CPU/POWER BOARD
19 0600016455	H2O OUTLET PLUG
20 VIT0002009	SCREW ST HEAD CAP M3.5X6.5
21 0810010558	WATER INLET VALVE CONNECTOR
22 GUA0000021	OR 130
23 ELE0055008	SUPPLY CABLE+PLUG+SCHUK.SOCKET

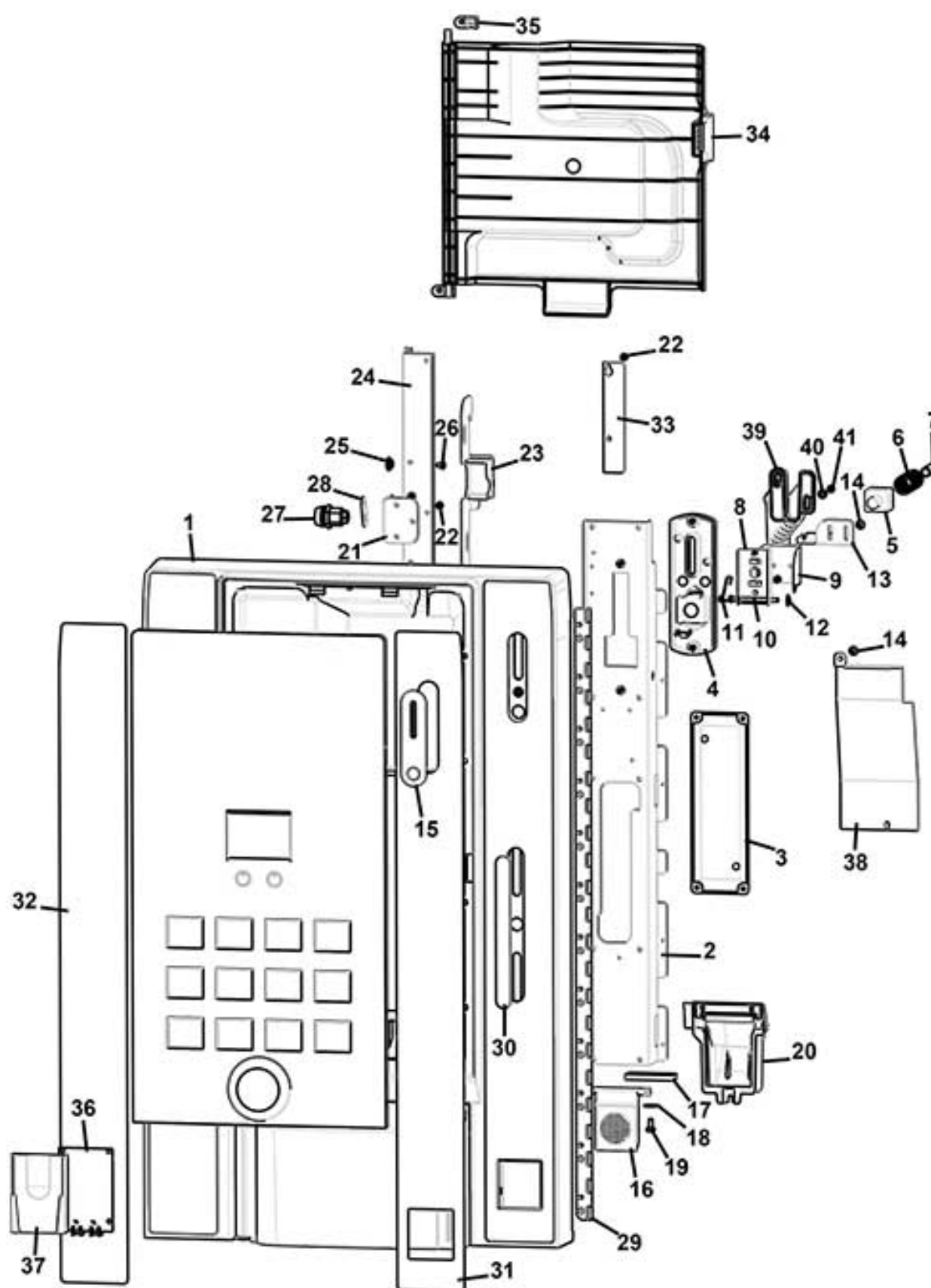
DOPPIO - UPPER COVER



DOPPIO

DOPPIO - UPPER COVER

Pos. Code	Description
1 0010026051CM	UPPER LID (RAL9006)
2 0010026058CG	UPPER COVER CLOSING (RAL7035)
3 ELE0002019	SWITCH 16A 250V
4 VIT0002469	SCREW HEAD TAP M3.5X10
5 0020018061	SELECTION BUTTON PLUG
6 0010026054CG	GAS SPRING SUPPORT (RAL7035)
7 VIT0000030	SCREW HEAD TAP CAP M4X7
8 0010026057CG	WIRING SUPPORT (RAL7035)
9 0010026037NA	UPPER LID HINGE (BLACK)
10 0270011109	SERVICE KEY ASSEMBLY

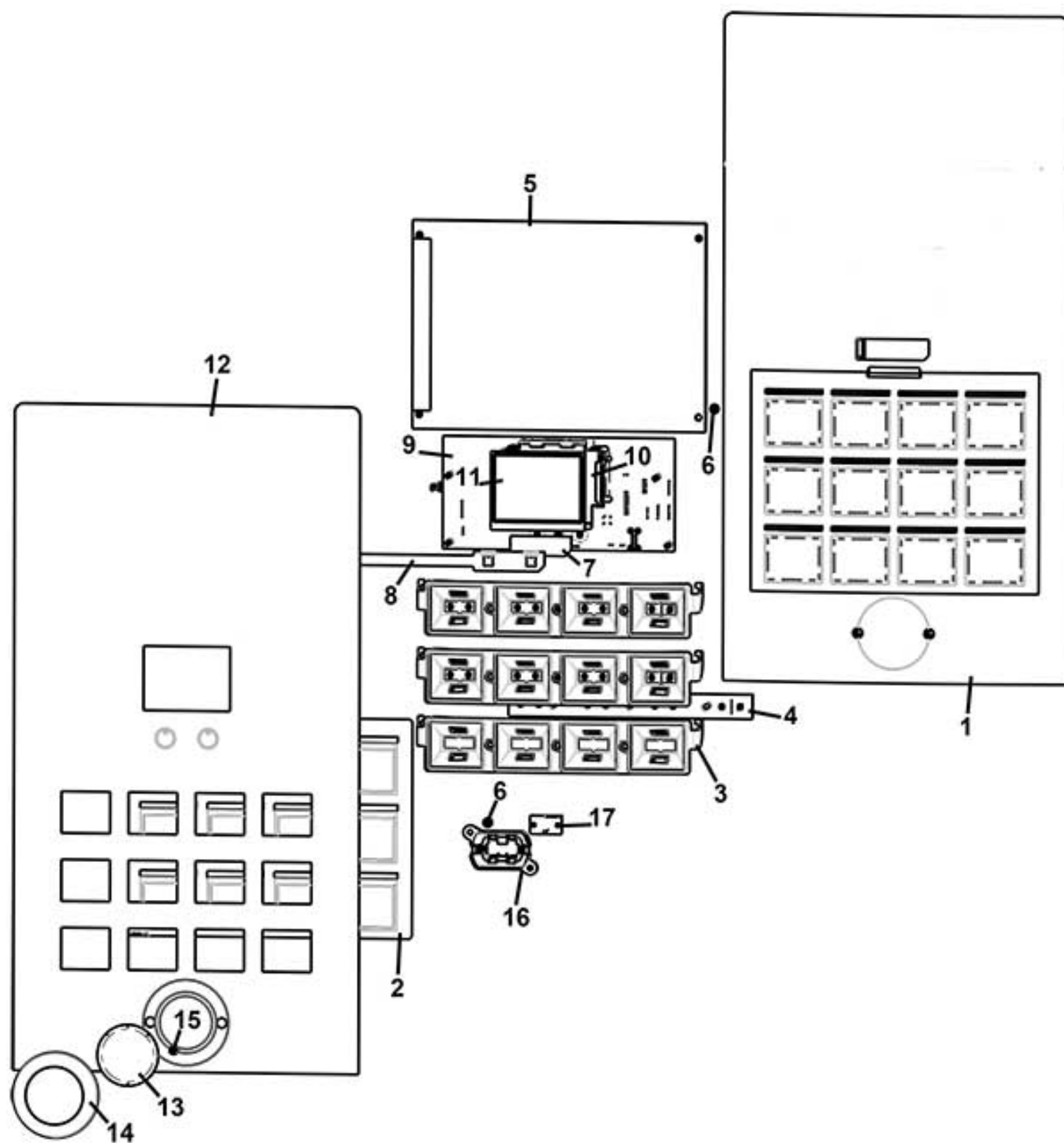


DOPPIO

DOPPIO - door

Pos. Code	Description
1 0020043006CM	DOOR (RAL9006)
2 0020043035NA	HINGE REINFORCEMENT (BLACK)
3 0020043109NA	COIN INLET PLUG (BLACK)
4 0020043061NA	COIN INLET SUPPORT (BLACK)
5 0020043063CM	COIN RETURN BUTTON (RAL9006)
6 4050010074	COIN RETURN BUTTON SPRING
7 0020034023	COIN RETURN PIN
8 0020043064	COIN RETURN BUTTON BRACKET
9 0020043065	COIN RETURN LEVER
10 0020034187	PIN
11 0020043068	COIN RETURN SPRING
12 VIT0007102	BENZING CLIP
13 0020043066	COIN RETURN LEVER ADJUSTABLE
14 VIT0002401	SCREW ST HEAD CAP M3.5X9.5
15 0020043067CM	COIN MECH. PLATE (RAL9006)
16 0020043072NA	COIN RETURN FLAP (BLACK)
17 0020042030	COIN RETURN FLAP COUNTERWEIGHT
18 VIT0003302	WASHER 5,5X15X1,6
19 VIT0000208	SCREW HEX HEAD M5X10
20 0020043070NA	COIN RETURN CONTAINER (BLACK)
21 0020043032	LOCK SUPPORT
22 VIT0002469	SCREW HEAD TAP M3.5X10
23 0020043033NA	DOOR BLOCK SHAFT SUPP. (BLACK)
24 SER0001019	DOOR BLOCK SHAFT
25 0020024618	COIN BOX FLOWING NUT
26 VIT0000021	SCREW HEAD TAP CAP M4X6
27/a SER0000001	LOCK
27/b SER0000023	LOCK
28/a SER0001010	LOCK PLATE
28/b SER0001016	LOCK PLATE
29 0010026120	DOOR HINGE
30 0020039416	COIN ENTRY BLANK PLATE
31/a 1030000021	DOOR RIGHT LATERAL GRAPHIC PANEL-BLACK
31/b 1030000022	DOOR RIGHT LATERAL GRAPHIC PANEL-WHITE
32/a 1030000025	DOOR LEFT LATERAL GRAPHIC PANEL-BLACK
32/b 1030000026	DOOR LEFT LATERAL GRAPHIC PANEL-WHITE
33 0020043078NA	DOOR CABLES PLATE
34 0020043036IC	BOARD COVER (RAL2011)
35 0020043037NA	BOARD FIXING BRACKET
36 SCH0006260	RFID CARD READER
37 0020043077NA	PAY. CARDS SUPPORT (BLACK)
38 0020043111NA	RFID COVER (BLACK)
39 0020043062NA	COIN CHUTE (BLACK)
40 VIT0003301	WASHER 4,3X12X1,5
41 VIT0002466	SCREW HEAD TAP M3.5X16

DOPPIO - LIGHTING GLASS

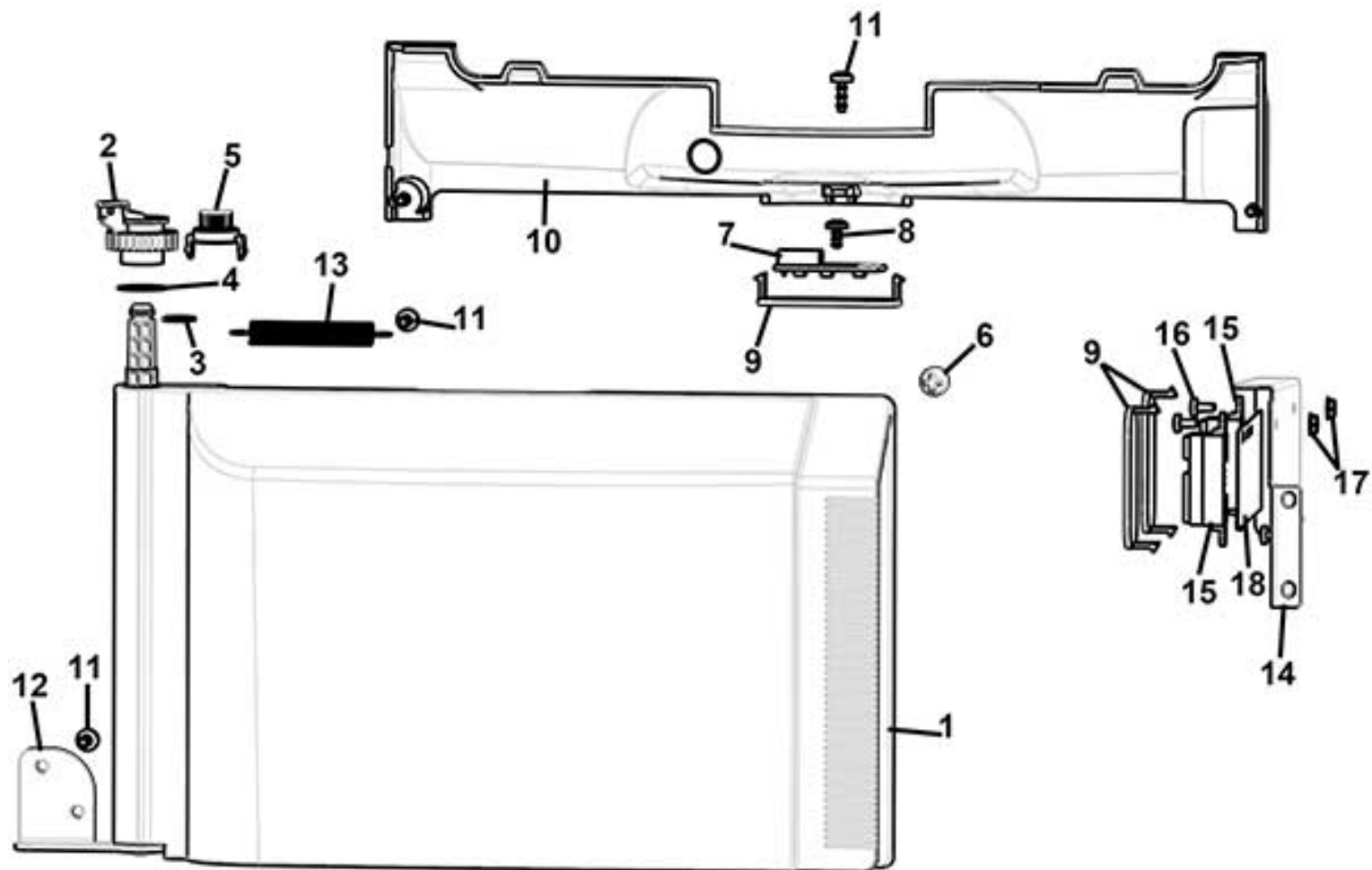


DOPPIO

DOPPIO - LIGHTING GLASS

Pos. Code	Description
1 0020043011	FRONTAL PLEXIGLASS
2 ELE0000475	CAPACITIVE KEYPAD
3 0020043083CY	LABELS GUIDE (RAL9018)
4 SCH0009540	LABELS LIGHTING BOARD
5 0020043079	LIGHTING FRONTAL PLEXIGLASS
6 VIT0002469	SCREW HEAD TAP M3.5X10
7 0020043029	SUGAR KEYPAD ADHESIVE
8 ELE0000474	2 BUTTONS KEYPAD
9 SCH0009982CL1	DISPLAY BOARD
10 0020039418NA	3,5" LCD SUPPORT
11 ELT0030431	LCD TFT 3.5"
12/a 1030000064	GRAPHIC PANEL-BLACK
12/b 1030000067	GRAPHIC PANEL-WHITE
13 1030000188	ADHESIVE LOGO
14 0020039084CL	Å§ DOOR LOGO FRAME
15 VIT0002466	SCREW HEAD TAP M3.5X16
16 0020043046NA	LOGO LIGHTING BOARD SUPPORT
17 SCH0009580	LOGO LIGHTING BOARD

DOPPIO - CUPS STATION FLAP

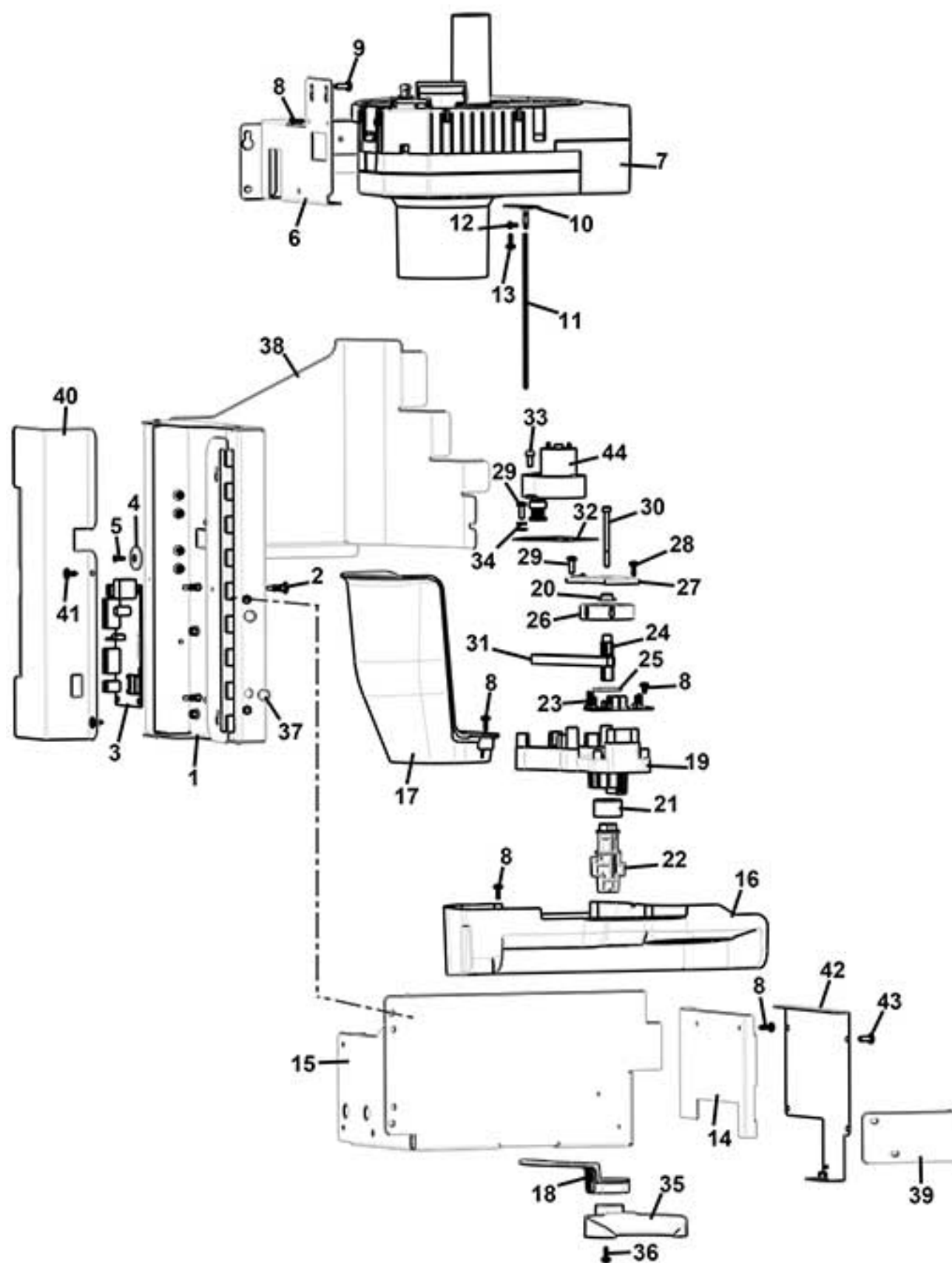


DOPPIO

DOPPIO - CUPS STATION FLAP

Pos. Code	Description
1 0020043040TR	CUPS STATION FLAP
2 0020043042	FLAP GEAR
3 VIT0006505	RING 6
4 VIT0003312	WASHER 10x16x0,5
5 0020043049	SLOW MOTION
6 0020040235	FLAP PLUG
7 SCH0009520	CUPS STATION LIGHTING BOARD
8 VIT0002009	SCREW ST HEAD CAP M3.5X6.5
9/a 0020042251PM	SENSOR COVER (BLUE)
9/b 0020042251	PLEXIGLASS SENSOR
10 0020043031NA	DOOR LOWER COVER
11 VIT0002469	SCREW HEAD TAP M3.5X10
12 0020043041NA	FLAP SUPPORT
13 0020043048	FLAP SPRING
14 0020043044NA	SENSOR SUPPORT
15 ELT0006813	DISTANCE SENSOR
16 VIT0000002	SCREW HEAD TAP CAP M3X6
17 VIT0004701	NUT M3
18 0020043047	SENSOR ADHESIVE

DOPPIO - TURRET DB SUPPORT

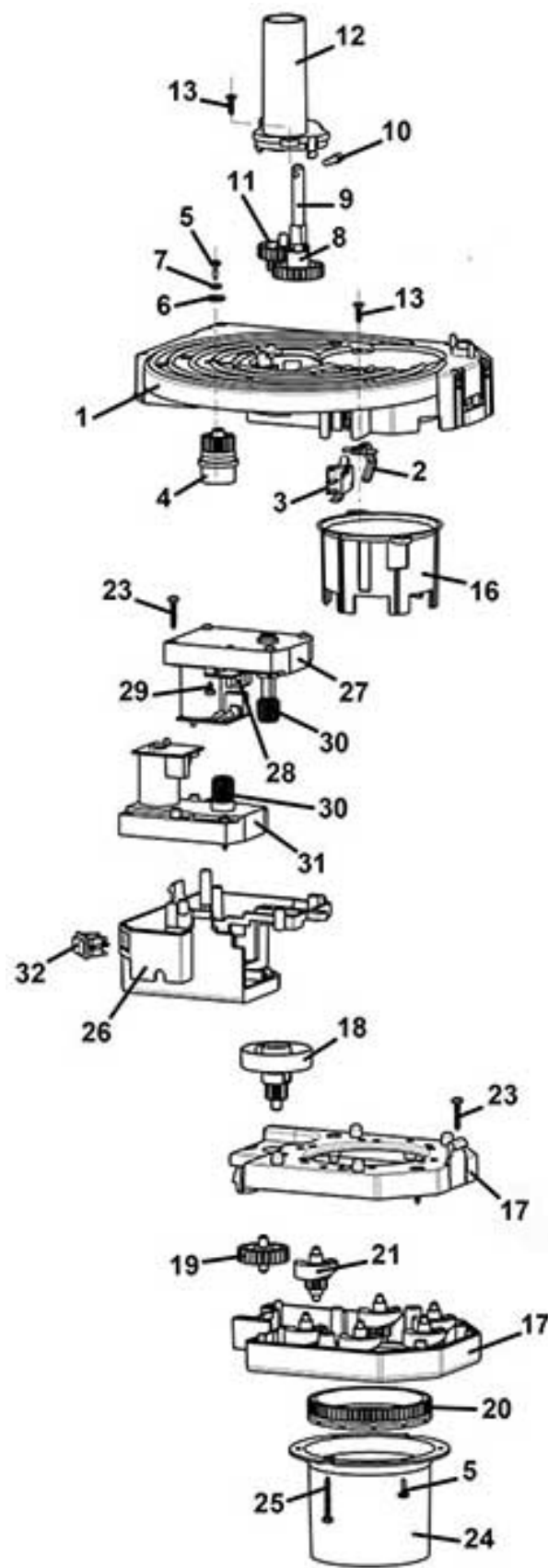


DOPPIO

DOPPIO - TURRET DB SUPPORT

Pos. Code	Description
1	0190014005-06NA DB SUPPORT (BLACK)
2	ELE0062020 BOARD SUPPORT
3	SCH0009600 DB BOARD
4	H00017067 MAGNET 20x3,2
5	VIT0002113 SCREW COUNT FLAT HEAD M2.9X9.5
6	0190014011NA UPPER DB SUPPORT (BLACK)
7	See table cups loader
8	VIT0002469 SCREW HEAD TAP M3.5X10
9	VIT0000014 SCREW HEAD TAP CAP M4X16
10	0190014039 D.80 CUP SLOW MOTION SUPPORT
11	0190014042 CUP SLOW MOTION
12	VIT0000002 SCREW HEAD TAP CAP M3X6
13	VIT0002009 SCREW ST HEAD CAP M3.5X6.5
14/a	0190014036NA STIRRERS DISPENSER SUPPORT D.80 (BLACK)
14/b	0190014018NA STIRRERS DISPENSER SUPPORT D.70/73 (BLACK)
15/a	0190014034NA LOWER DB SUPPORT D.80 (BLACK)
15/b	0190014016NA LOWER DB SUPPORT D.70/73 (BLACK)
16	0020043050NA CUP STATION (BLACK)
17	0190014017NA CUP CHUTE (BLACK)
18	0190014029NA CUP STOP (BLACK)
19	0190014051NAR AS FORK SUPPORT (BLACK)+INSERT
20	VIT0009330 BEARING D.8
21	VIT0009327 BEARING D.22
22	0190014026NAR AS FORK SHAFT (BLACK)+INSERT
23	SCH0006940 CAMS SENSOR
24	0190014052 FORK PULLEY
25	0190014023 FORK SHAFT SPACER
26	0190014054NA OPTIC READER DISC (BLACK)
27	0190014053 FORK SHAFT PLATE
28	VIT0002028 SCREW ST HEAD CAP M3.9X13
29	VIT0000013 SCREW HEAD TAP CAP M4X12
30	VIT0005544 SCREW ALLEN M4x50
31	0190014025 TOOTHED BELT
32	0190014055 FORK MOTOR REINFORCEMENT
33	VIT0005511 SCREW HEX HEAD REC TAP M4X10
34	VIT0003107 SPRING WASHER 4.3
35/a	0190014032NA FORK D.80 (BLACK)
35/b	0190014030NA FORK D.70 (BLACK)
35/c	0190014031NA FORK D.73 (BLACK)
36	VIT0000030 SCREW HEAD TAP CAP M4X7
37	0020040235 FLAP PLUG
38/a	0190014033NA DB UPPER COVER D.80 (BLACK)
38/b	0190014014NA DB UPPER COVER D.70/73 (BLACK)
39	0190014013NA STIRRERS CHUTE REINFORCEMENT (BLACK)
40	0190014040NA BOARD COVER (BLACK)
41	VIT0002401 SCREW ST HEAD CAP M3.5X9.5
42/a	0190014048NA DB SUPPORT COVER D.80 (BLACK)
42/b	0190014046NA DB SUPPORT COVER D.70 (BLACK)
43	VIT0000012 SCREW HEAD TAP CAP M4X10
44	0090002034R1 AS MOTOR 18RPM 24VDC+PULLEY
100	0190014050R AS FORK MOVEMENT From pos. 19 to pos. 44+8 and 44

DOPPIO - cups loader

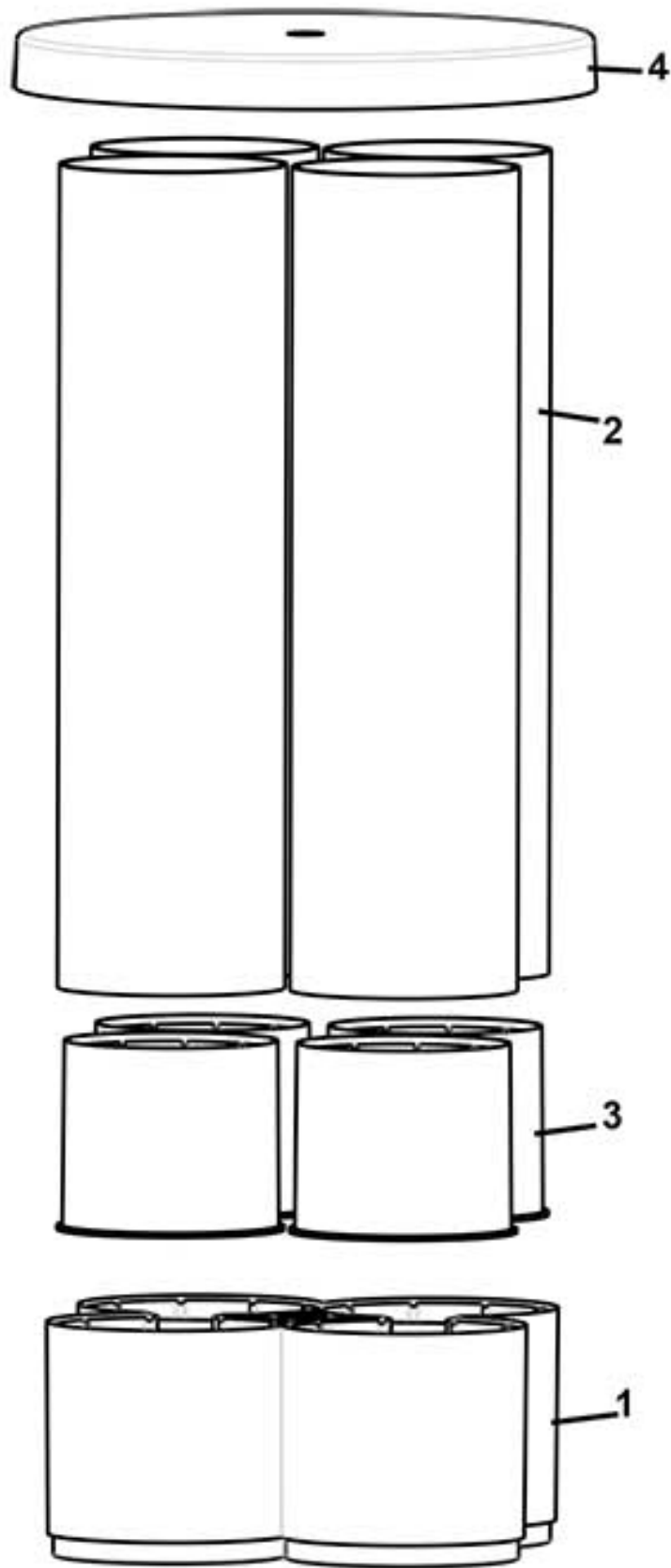


DOPPIO

DOPPIO - cups loader

Pos. Code	Description
1	0190006534CY-03 TURRET SUPPORT RAL9018
2/a	0190006543-01 MICROSWITCH LEVER WHITE
2/b	0190006556KA MICROSWITCH LEVER RAL3020
3	ELE0001530 MICROSWITCH 3A 125-250VA
4	0190006546 CUP DISPENSER MOTOR CONNECTOR
5	VIT0002469 SCREW HEAD TAP M3.5X10
6	VIT0003301 WASHER 4,3X12X1,5
7	VIT0003103 SPRING WASHER 4,3
8	0190006503 Z26 WHEEL TURRET (WHITE)
9	0190006564 TURRET SHAFT
10	VIT0005203 DOWEL PIN 4X18
11	0190006544 Z16 PINION WHITE
12	0190006537CY TURRET CUP CONNEC. 4C. RAL9018
13	VIT0002101 SCREW COUNT FLAT HEAD M3.5X13
16/a	0190006538CF CUPS REDUCER D.70 RAL7016
16/b	0190006539CY CUPS REDUCER D.73 RAL9018
17	0190006521CYR LOWER/UPPER CUP DROP MECH. RAL9018
18	0190006511NA CUPS TURRET SPINDLE BLACK
19	0190006528 Z26 WHEEL WHITE
20/a	0190006523 TOOTHED RING NUT D.70/73
20/b	0190006507 TOOTHED RING NUT D.78/80 WHITE
21/a	0190006506IC SPLIT UP D.70/78-ORANGE PL
21/b	0190006502 CUP SPLITTER D.73/80 PP WHITE
21/c	0190006551GJ SPLIT UP D.70/78-YELLOW PP
23	VIT0002456 SCREW HEAD TAP M3.5X25
24	0190006514 D.70/73 CUPS FEEDER
	0190006514CY D.70/73 CUPS FEEDER TECHNIC GREY RAL 9018
25	VIT0002468 SCREW HEAD TAP M3.5X30
26	0190006522CY MOTOR SUPPORT RAL9018
27	0090002114R2 Å§ GEARBOX MOTOR 11RPM 24V DC
28	SCH0007000 SPLIT UP SENSOR
29	VIT0002002 SCREW ST HEAD CAP M3.5X6.5
30	0190006518 TOOTHED SHAFT Z18 WHITE
31	0090002123R Å§ GEARBOX MOTOR 5,5RPM 24V DC
32	ELE0002258R Å§ PUSH BUTTON RED
100/a	0190006534CL3R Å§ TURRET SUPPORT-4COLUMNS From pos. 1 to pos.13 (included pos.2/a)
100/b	0190006534CL4R Å§ TURRET SUPPORT-4COLUMNS D.80 From pos.1 to pos.13 (included pos.2/b)
101/a	0190006520CLR Å§ CUP DROP MECH. D.70 PL From pos. 17 to pos.23 (included pos.20/a+21/a)
101/b	0190006520CL0R Å§ CUP DROP MECH. D.70 PP From pos. 17 to pos.23 (included pos.20/a+21/c)
101/c	0190006520CL2 Å§ CUP DROP MECH. D.73 PP From pos. 17 to pos.23 (included pos.20/a+21/b)
101/d	0190006521CL5R Å§ CUP DROP MECH. D.80 PP From pos. 17 to pos.23 (included pos.20/b+21/b)
102	0190006522CLR Å§ CUPS DISPENSER MOTOR SUPPORT From pos.26 to pos. 32

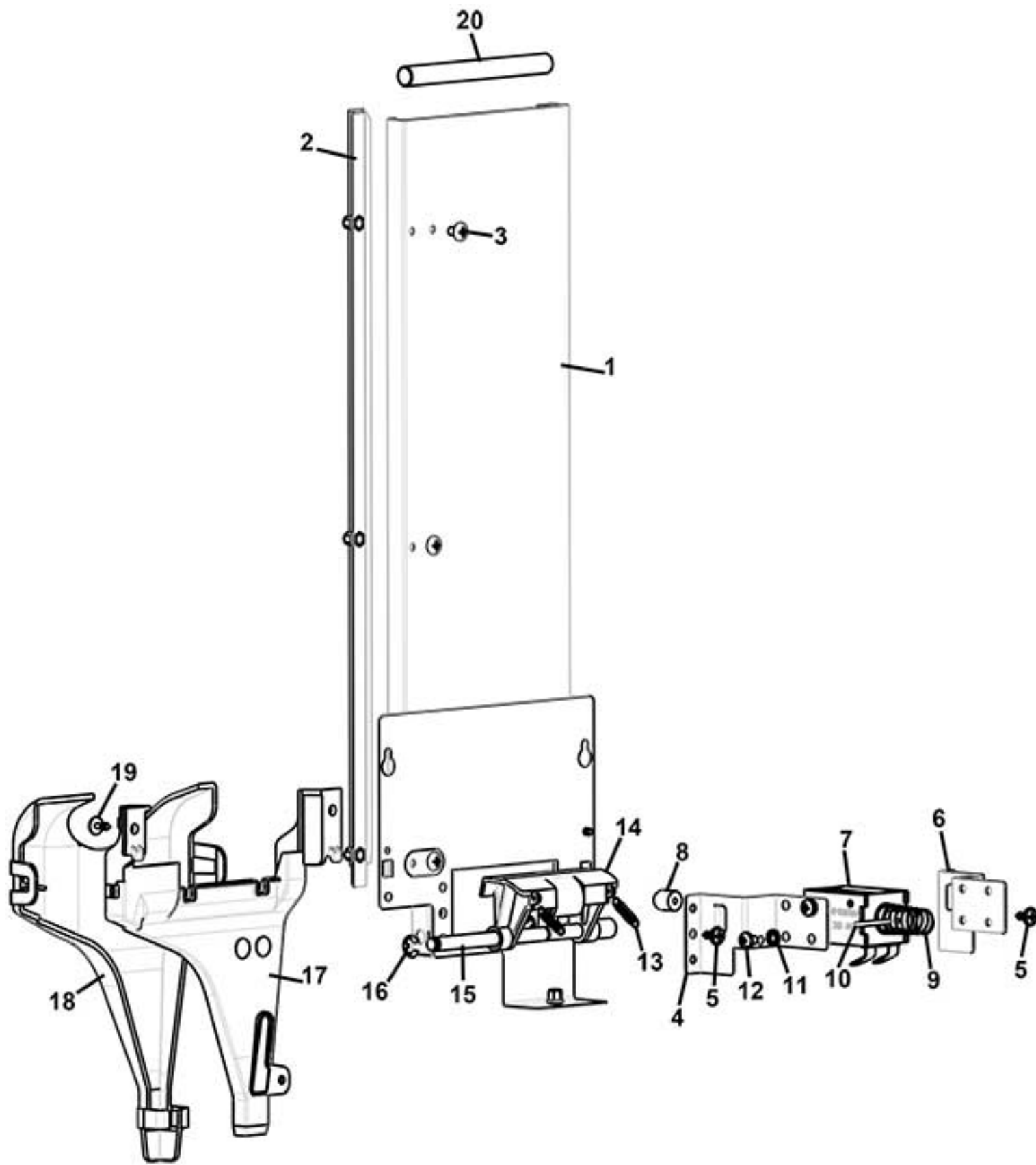
DOPPIO - 4 columns cups turret



DOPPIO

DOPPIO - 4 columns cups turret

Pos. Code	Description
1/a 0180013305CY	CUP TURRET SPINDLE 4C RAL9018
1/b 0180013307CY	CUP TURRET SPINDLE 4C RAL9018 (80mm)
2/a 0180013146	CUP HOLDER D.84/81MM L305MM
2/b 0180013351	CUP HOLDER D.87/84MM L288MM
3 0180013113	D.70 COLUMN REDUCTION (WHITE)
4/a 0180013308CY	CUPS TURRET LID 4C. RAL9018
4/b 0180013311CY	CUPS TURRET LID 4C. D.80 RAL9018
100 0180013145R	Å§ 4C TURRET D.70/73
101 0180013350R	Å§ 4C TURRET D.80

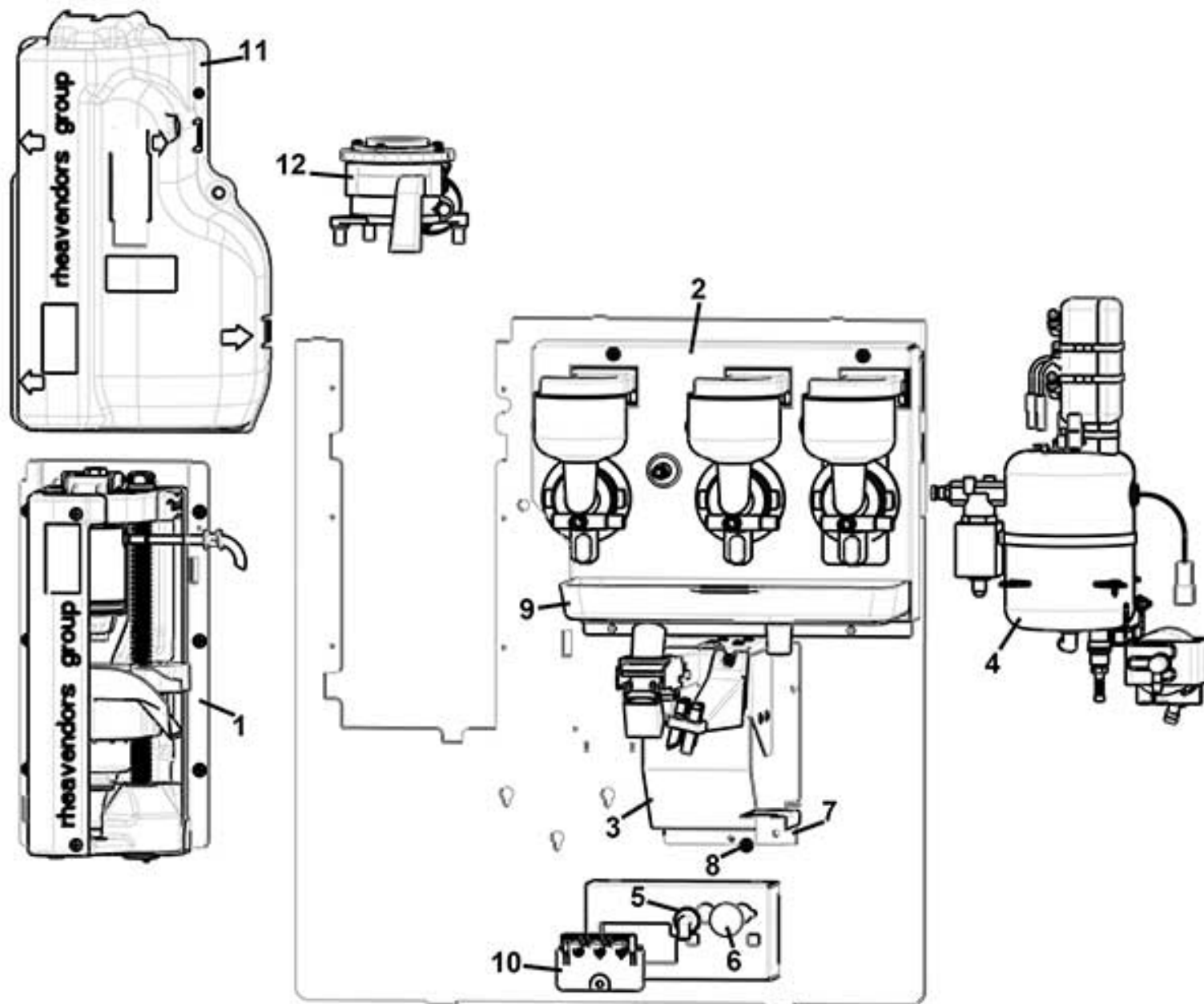


DOPPIO

DOPPIO - stirrer dispenser

Pos. Code	Description
1 0450003555	STIRRER DISPENSER
2 0450003560	STIRRER DISPENSER GUIDE
3 VIT0000012	SCREW HEAD TAP CAP M4X10
4 0450003559	ELETTROMAGNET R.H. SUPPORT
5 VIT0002009	SCREW ST HEAD CAP M3.5X6.5
6 0450003558	ELETTROMAGNET L.H. SUPPORT
7 ELE0000062	15% 24V DC ELECTROMAGNET W/FASTON
8 0190014038	ELETTTROMAGNET PIN
9 0380011419	SPRING
10 VIT0005212	DOWEL PIN 2.5X24
11 VIT0003103	SPRING WASHER 4,3
12 VIT0000021	SCREW HEAD TAP CAP M4X6
13 0450003010	SPRING
14 0450003565NA	STIRRER EJECTOR (BLACK)
15 0450003566	STIRRER EJECTOR SHAFT
16 VIT0006504	RING 5
17 0450003571TR	STIRRER CHUTE (TRANSPARENT)
18 0450003572TR	STIRRER CHUTE COVER (TRASPARENT)
19 VIT0002401	SCREW ST HEAD CAP M3.5X9.5
20/a 4001012030	STIRRER WEIGHT 89MM
20/b 0450003033	STIRRER WEIGHT 104MM
100 0450003550CL	Å§ STIRRER DISPENSER 89-104-115mm

DOPPIO - mixer plan

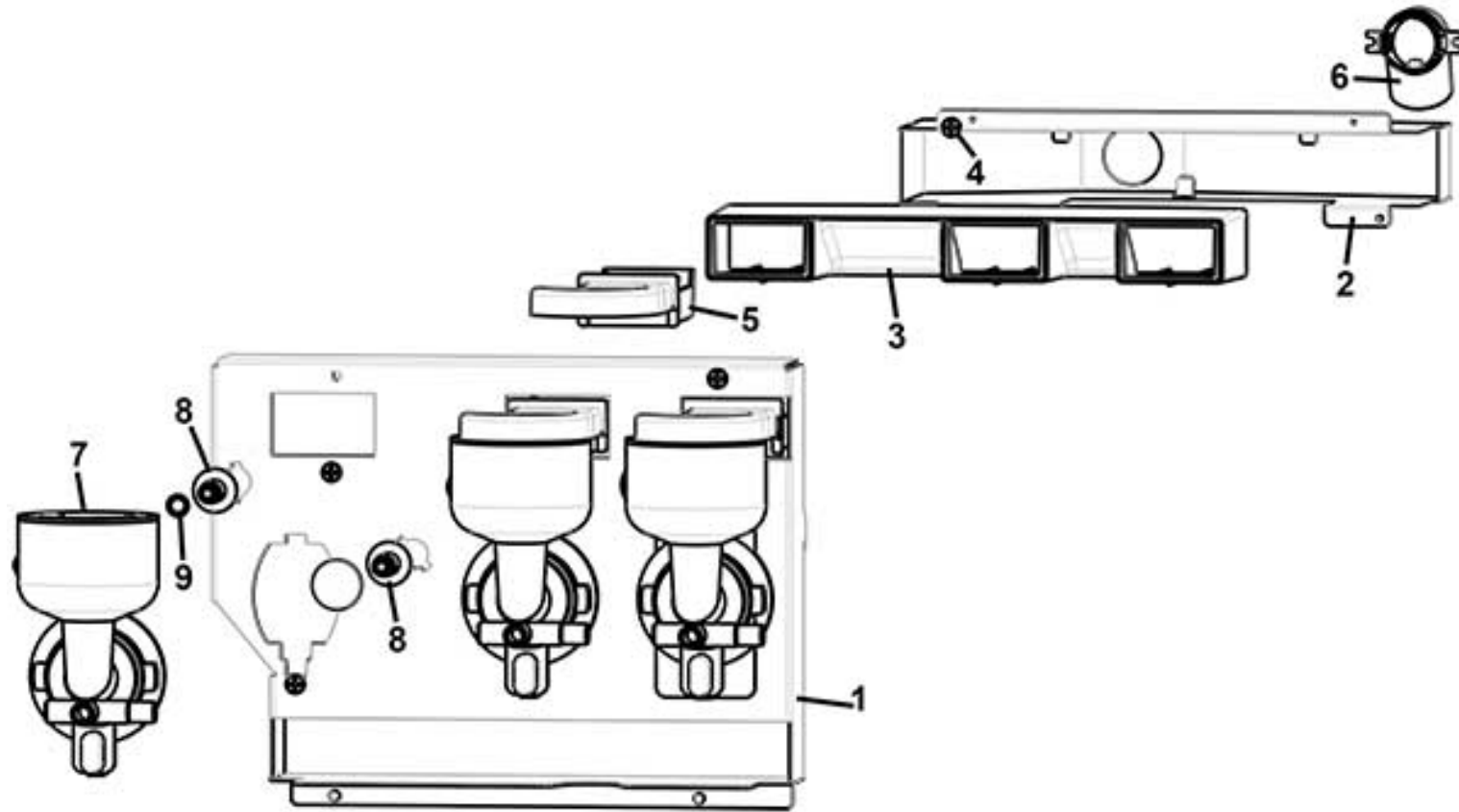


DOPPIO

DOPPIO - mixer plan

Pos. Code	Description
1	See table PRO BREWER SUPPORT+MOTOR
2	See table MIXERS SUPPORT
3	See table pipes movement
4	See table ESPRESSO boiler support
5 0080100084	90° CONNECTOR
6 0080100035NA	CONNECTOR PLUG BLACK
7 0260012037NA	DRIP TRAY TUBE PLATE (BLACK)
8 VIT0002401	SCREW ST HEAD CAP M3.5X9.5
9 0260012029NA	TRAY (BLACK)
10 0070035010CL	Å§ DRIP TRAY SENSOR SUPPORT
11 0250014074CL	Å§ VARIFLEX BREWER COVER-FS
12	See table GRINDER

DOPPIO - MIXERS SUPPORT

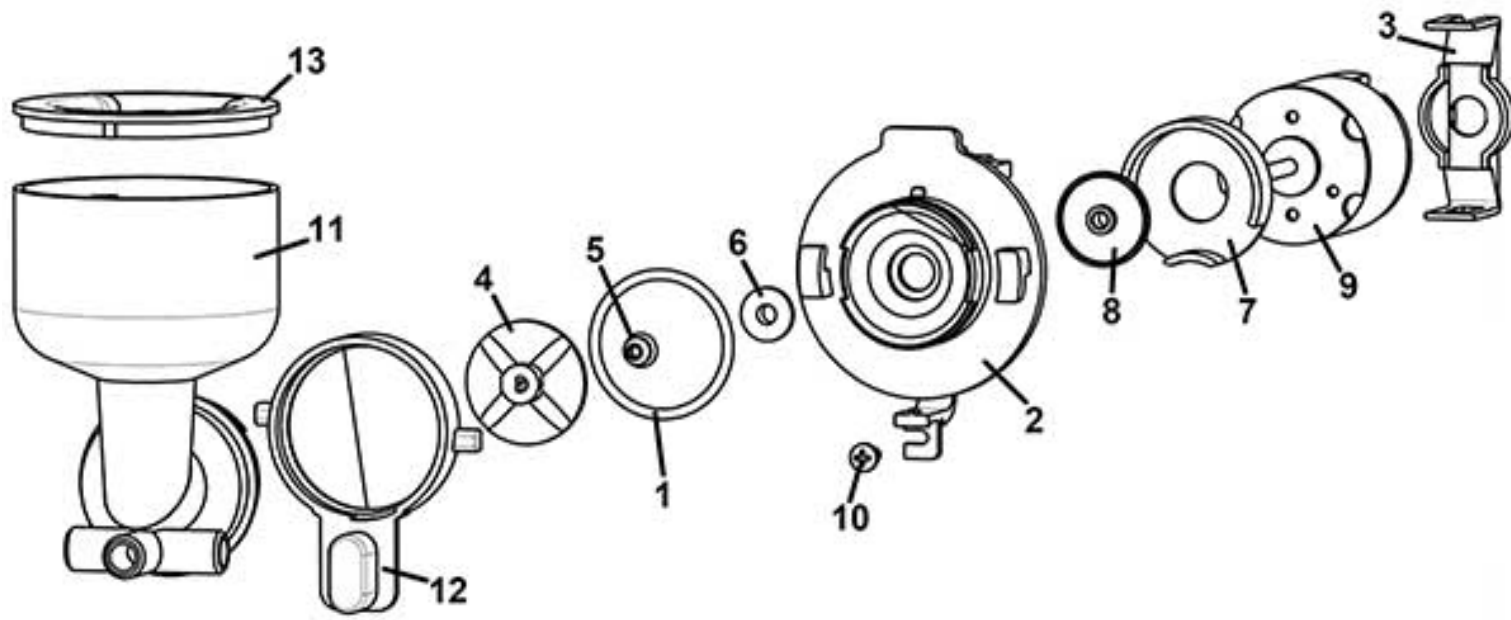


DOPPIO

DOPPIO - MIXERS SUPPORT

Pos. Code	Description
1 0260012026NA	
2 0260012043NA	
3 0010026110NA	TRAP DRAWER
4 VIT0002401	SCREW ST HEAD CAP M3.5X9.5
5 0010027022	TRAP DRAWER REMOVABLE
6 0010027043NA	EXTRACTOR TUBE BLACK
7	See table mixer
8 0080100013	MIXER CONNECTOR
9 GUA0000085	OR 106 SILICON

DOPPIO - mixer

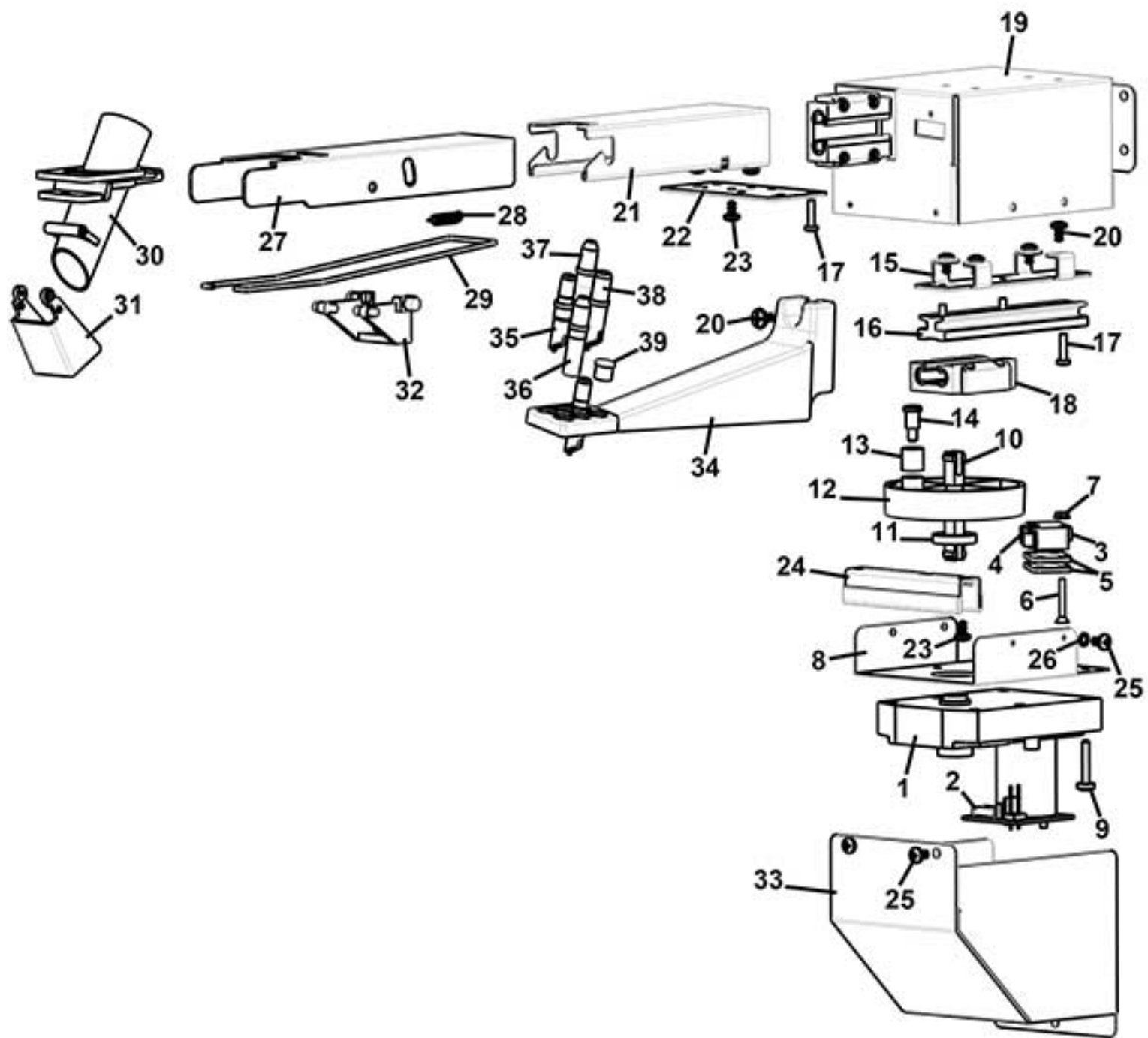


DOPPIO

DOPPIO - mixer

Pos. Code	Description
1 GUA0000084	OR 3131
2 0080100005	MOTOR MIXER BASE
3 0080100009IC	MIXER MOTOR SUPPORT RAL2011
4 0080100251NA	MIXER FAN INCREASED (BLACK)
5 0080100101	MIXER SHAFT GASKET
6 0080100015	MIXER BUSH
7 0080100023IC	MIXER COVER RAL2011
8 0080100024	MIXER FAN
9 0090003023	MIXER MOTOR 24V DC SHAFT D.4
10 VIT0002401	SCREW ST HEAD CAP M3.5X9.5
11/1a 0080200101L	MIXING BOWL L.W/H20 BREAKER
11/1b 0080200102R	MIXING BOWL R.W/H20 BREAKER
11/1c 0080200103C	MIXING BOWL F.W/H20 BREAKER
11/2a 0080200110L	MIXING BOWL L.W/H20 BREAKER
11/2b 0080200111R	MIXING BOWL R.W/H20 BREAKER
11/2c 0080200112C	MIXING BOWL F.W/H20 BREAKER
12 0080100006IC	LOCK RING RAL2011
13/a 0080100008	UPPER RING
13/b 0080100042	MIXER RING W/INLET PIPE
100 0080100001R1	A§ MIXER BOWL BASE+MOTOR (from pos.1 to pos.9)

DOPPIO - pipes movement

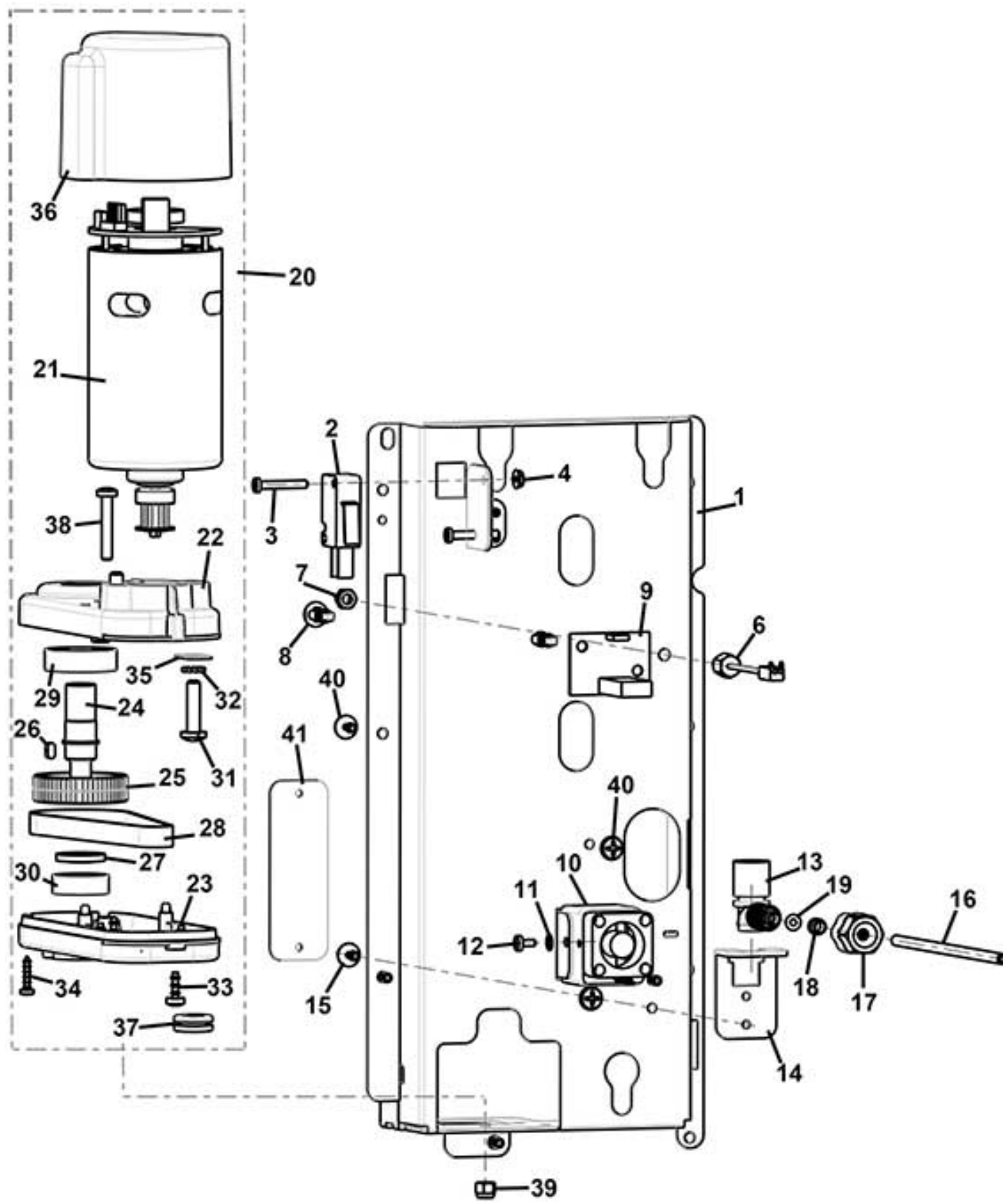


DOPPIO

DOPPIO - pipes movement

Pos. Code	Description
1 0090002114R1	Å§ GEARBOX MOTOR 11RPM 24V DC
2 SCH0003740	MOTOR FILTER
3 ELE0001522	MICROSWITCH
4 ELE0001906	MICROSWITCH LEVER
5 4600010014	SPACER
6 VIT0000105	M 3x20 TSP SCREW
7 VIT0004701	NUT M3
8 0380011761NA	GEARBOX MOTOR SUPPORT (BLACK)
9 VIT0000035	SCREW HEAD TAP CAP M4X20
10 0380010421	GEARBOX MOTOR SHAFT
11 0380010831	BUSH 20X4
12 0380011411	DISK
13 0200001011	BEARING
14 0200001012	PIN BEARING
15 0380011752	GUIDE SUPPORT
16 0380010933	PIPES MOVEMENT GUIDE RAIL
17 VIT0000005	SCREW HEAD TAP CAP M3X12
18 0380010798	NOZZLE MOVEMENT GUIDE
19 0380011751NA	PIPE MOVEMENT HOUSING (BLACK)
20 VIT0002401NA	SCREW ST HEAD CAP M3.5X9.5 (BLACK)
21 0380011753	PIPE MOVEMENT GUIDE
22 0380011754	SLIDE SUPPORT
23 VIT0002009	SCREW ST HEAD CAP M3.5X6.5
24 0380011755	SLIDE
25 VIT0002009NA	SCREW ST HEAD CAP M3.5X6.5 (BLACK)
26 VIT0003115	SPRING WASHER 3,7
27 0380011327	SUPPORT
28 0380010431	SPRING
29 0380011328	BRACKET
30 0380011229NA	SUGAR CHUTE (BLACK)
31 0380010424NA	SUGAR SPLITTER
32 0380010599	NOZZLE MOVEMENT BUTTON
33 0380011756NA	GEARBOX MOTOR COVER (BLACK)
34 0380011551NA	6 NOZZLES HOLDER (BLACK)
35 0380011665EB	COFFEE NOZZLE (RAL8019)
36 0380011666CK	MILK NOZZLE (RAL7037)
37 0380011667MD	TEA NOZZLE (RAL6032)
38 0380010657NA	ESPRESSO NOZZLE D.5,7 (BLACK)
39 0380010656NA	PLUG BLACK

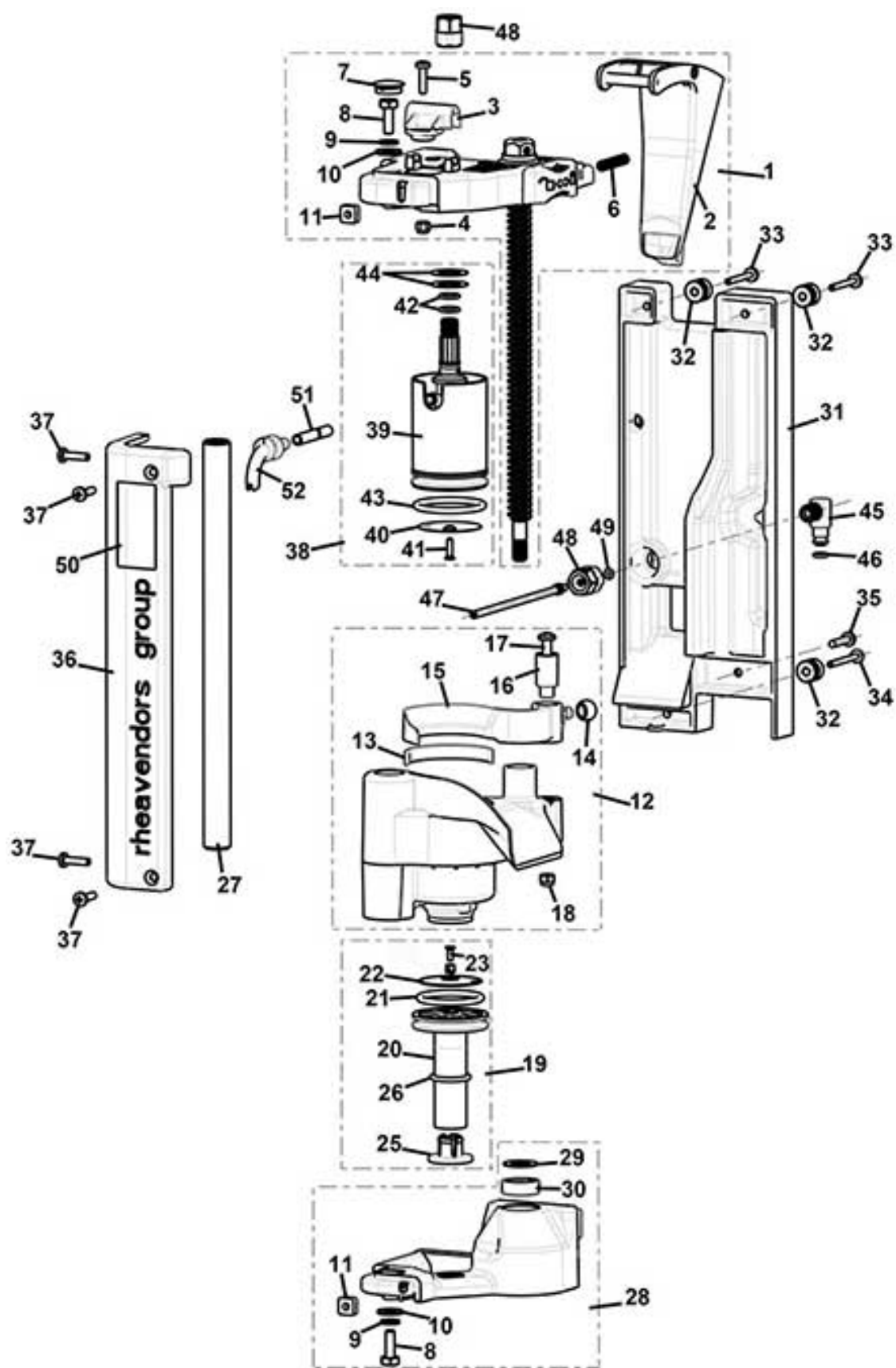
DOPPIO - PRO BREWER SUPPORT+MOTOR



DOPPIO

DOPPIO - PRO BREWER SUPPORT+MOTOR

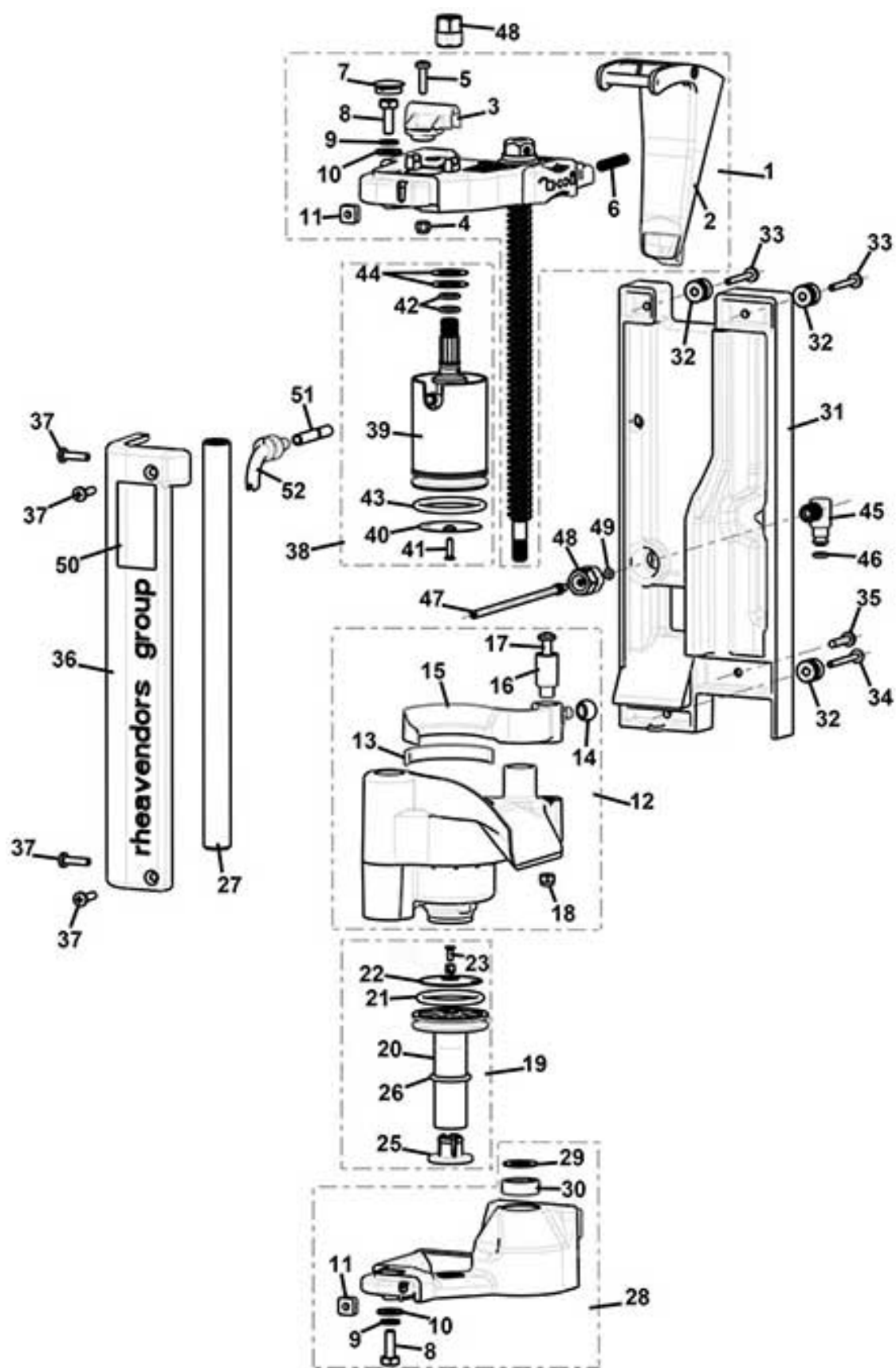
Pos. Code	Description
1	0260014002 VARIFLEX BREWER SUPPORT
2	ELE0001522 MICROSWITCH
3	VIT0000006 SCREW HEAD TAP CAP M3X16
4	VIT0004701 NUT M3
6	ELE0000931 PROBE
7	VIT0004816 NUT M4
8	ELE0062020 BOARD SUPPORT
9	SCH0009120 HEATER BOARD
10	ELE0000467-01 FAN HEATER 24V DC
11	VIT0003102 SPRING WASHER 3.2
12	VIT0000002 SCREW HEAD TAP CAP M3X6
13	0250014084 FEMALE CONNECTOR
14	0260014009 VARIFLEX H2O CONNECTOR SUP.
15	VIT0002009 SCREW ST HEAD CAP M3.5X6.5
16	TTEF02/041 PTFE PIPE 2X4
17	0250014086 NUT
18	0100002014 LOCKING RING SO1-4
19	GUA0000061 OR 2010 VITON
20	0090002250R A\$ VARIFLEX BREW. GEARBOX MOTOR From pos. 21 to pos. 37 (new version components)
21/a	0090002252 MOTOR 24V DC VRFLX BREWER New version
21/b	0090002230 MOTOR 24V DC VRFLX BREWER Old version
22/a	0090002222CK GEARBOX MOTOR UPPER UNIT (GREY RAL7037) New version
22/b	0090002222 GEARBOX MOTOR UPPER UNIT (BLACK) Old version
23/a	0090002223CK GEARBOX MOTOR LOWER UNIT (GREY RAL7037) New version
23/b	0090002223 GEARBOX MOTOR LOWER UNIT (BLACK) Old version
24	0090002224 FEMALE CONNECTOR SHAFT
25/a	0090002255AN PULLEY New version
25/b	0090002225AN PULLEY Old version
26	VIT0006703 CLAMP
27	0090002226 SPACER
28/a	0090002258 BELT New version
28/b	0090002228 BELT Old version
29	VIT0009324 BEARING
30	VIT0009320 BEARING
31	VIT0000017 SCREW HEAD TAP CAP M5X20
32	VIT0003104 SPRING WASHER 5.3
33	VIT0002469 SCREW HEAD TAP M3.5X10
34	VIT0002014 SCREW ST HEAD CAP M2.9X13
35	0090002240 MOTOR SPACER
36	0090002235CK MR GV BOARD COVER R.7037
37	GUA0010501 ELECTRICAL GROMMET DG 7.5
38	VIT0000015 SCREW HEAD TAP CAP M4X25
39	VIT0004815 NUT M4
40	VIT0002401 SCREW ST HEAD CAP M3.5X9.5
41	0260014004 HEATER PLUG
100	0250014086R A\$ WATER INLET TUBE From pos. 16 to pos. 19
101	0090002224R A\$ FEMALE CONNECTOR SHAFT From pos.24 to pos.30 excluded pos.28



DOPPIO

DOPPIO - PROFESSIONAL BREWER GROUP D.45

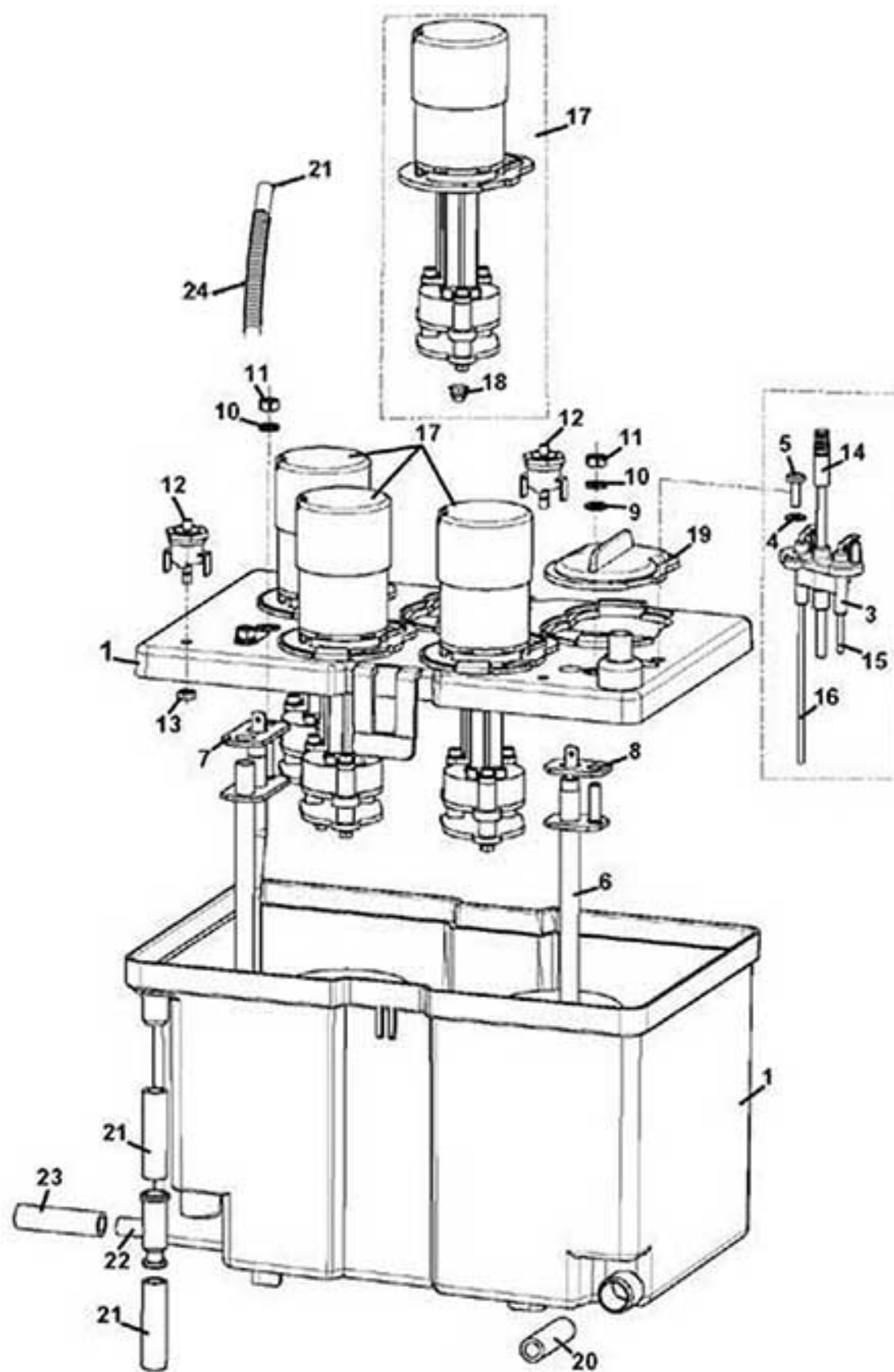
Pos. Code	Description
1	0250014005R A\$ UPPER SUPPORT D.45
2	0250014008 CHUTE D.45
3	0250014009 CHUTE HINGE
4	VIT0004810 NUT M4
5	VIT0001009 SCREW HEAD TAP CAP M4X16
6	0250014081 SPRING
7	GUA0011022 PLUG
8	VIT0000249 SCREW HEX HEAD M6X16
9	VIT0003113 SPRING WASHER 6.4
10	0250014079 WASHER D.15 D.6.5 SP.1.5
11	VIT0009112 NUT M4
12	0250014020R A\$ INFUSION CHAMBER D.45
13	0250014043 BRUSH GASKET D.45
14	0250014025R A\$ BRUSH BALL+FLANGE
15	0250014024 BRUSH D.45
16	0250014026 BRUSH PIN
17	VIT0000043 SCREW HEAD TAP CAP M5X35
18	VIT0004823 NUT M5
19	0250014028R A\$ LOWER FILTER HOLDER D.45 From pos.20 to pos. 26
20	0250014049R A\$ LOWER FILTER HOLDER D.45+INSERT
21	GUA0000097 OR 4131 SILICON
22	0250014029 COFFEE FILTER
23	VIT0000121 SCREW COUNT FLAT HEAD M3X8
25	0250014027 LOWER PISTON LOCK
26	GUA0000103 OR 3075 SILICON
27	0250014013 CYLINDRICAL GUIDE
28	0250014012R A\$ LOWER SUPPORT D.45
29	0250014077 SPACER
30	VIT0009320 BEARING
31	0250014011 REAR CAM PLATE
32	0250014072 PIN
33	VIT0001006 SCREW HEAD TAP CAP M4X30
34	VIT0000033 SCREW HEAD TAP CAP M4X35
35	VIT0001011 SCREW HEAD TAP CAP M4X20
36	0250014019 FRONTAL COVER
37	VIT0001009 SCREW HEAD TAP CAP M4X16
38	0250014045R A\$ UPPER FILTER HOLDER D.45
39	0250014047 PISTON D.45 COVER
40	0250008211 COFFEE FILTER D 37.3
41	VIT0000129 SCREW COUNT HEAD M3X12
42	GUA0000045 OR 108 VITON
43	GUA0000067 OR 4143 SILICON
44	0250014048 SPRING
45	0250014085 MALE CONNECTOR
46	GUA0000004 OR 104
47	0250014087CL A\$ PTFE PIPE D.2X4
48	0250014086 NUT
49	GUA0000061 OR 2010 VITON
50	1010100160 WARNING LABEL
51	TSIL04/061 SILICON HOSE 4X6
52	0380011665EB COFFEE NOZZLE (RAL8019)
100	0250014000CL COFFEE BREWER VARIFLEX D 45
101	0250008176CL6 A\$ COFFEE OUTLET PIPE Pos.51+52
102	0250014024R A\$ BRUSH D.45 From pos.13 to pos.18



DOPPIO

DOPPIO - PROFESSIONAL BREWER GROUP D.36

Pos. Code	Description
1	0250014005R1 A\$ UPPER SUPPORT D.36
2	0250014033 CHUTE D.36
3	0250014009 CHUTE HINGE
4	VIT0004810 NUT M4
5	VIT0001009 SCREW HEAD TAP CAP M4X16
6	0250014081 SPRING
7	GUA0011022 PLUG
8	VIT0000249 SCREW HEX HEAD M6X16
9	VIT0003113 SPRING WASHER 6.4
10	0250014079 WASHER D.15 D.6.5 SP.1.5
11	VIT0009112 NUT M4
12	0250014030R A\$ INFUSION CHAMBER D.36
13	0250014036 BRUSH GASKET D.36
14	0250014025R A\$ BRUSH BALL+FLANGE
15	0250014034 BRUSH D.36
16	0250014026 BRUSH PIN
17	VIT0000043 SCREW HEAD TAP CAP M5X35
18	VIT0004823 NUT M5
19	0250014038R A\$ LOWER FILTER HOLDER D.36 From pos.20 to pos. 26
20	0250014050R A\$ LOWER FILTER HOLDER D.36 + INSERT
21	GUA0000080 OR 4112 SILICON
22	0250008019 COFFEE FILTER
23	VIT0000121 SCREW COUNT FLAT HEAD M3X8
25	0250014027 LOWER PISTON LOCK
26	GUA0000103 OR 3075 SILICON
27	0250014013 CYLINDRICAL GUIDE
28	0250014012R A\$ LOWER SUPPORT D.45
29	0250014077 SPACER
30	VIT0009320 BEARING
31	0250014011 REAR CAM PLATE
32	0250014072 PIN
33	VIT0001006 SCREW HEAD TAP CAP M4X30
34	VIT0000033 SCREW HEAD TAP CAP M4X35
35	VIT0001011 SCREW HEAD TAP CAP M4X20
36	0250014019 FRONTAL COVER
37	VIT0001009 SCREW HEAD TAP CAP M4X16
38	0250014040R A\$ UPPER FILTER HOLDER D.36
39	0250014042CI PISTON D.36 COVER RAL7042
40	0250008099 COFFEE FILTER
41	VIT0000129 SCREW COUNT HEAD M3X12
42	GUA0000045 OR 108 VITON
43	GUA0000080 OR 4112 SILICON
44	0250014048 SPRING
45	0250014085 MALE CONNECTOR
46	GUA0000004 OR 104
47	0250014087CL A\$ PTFE PIPE D.2X4
48	0250014086 NUT
49	GUA0000061 OR 2010 VITON
50	1010100160 WARNING LABEL
51	TSIL04/061 SILICON HOSE 4X6
52	0380011665EB COFFEE NOZZLE (RAL8019)
100	0250014060CL A\$ COFFEE BREWER VARIFLEX D.36
101	0250008176CL6 A\$ COFFEE OUTLET PIPE Pos.51+52
102	0250014034R A\$ BRUSH D.36 From pos.13 to pos.18

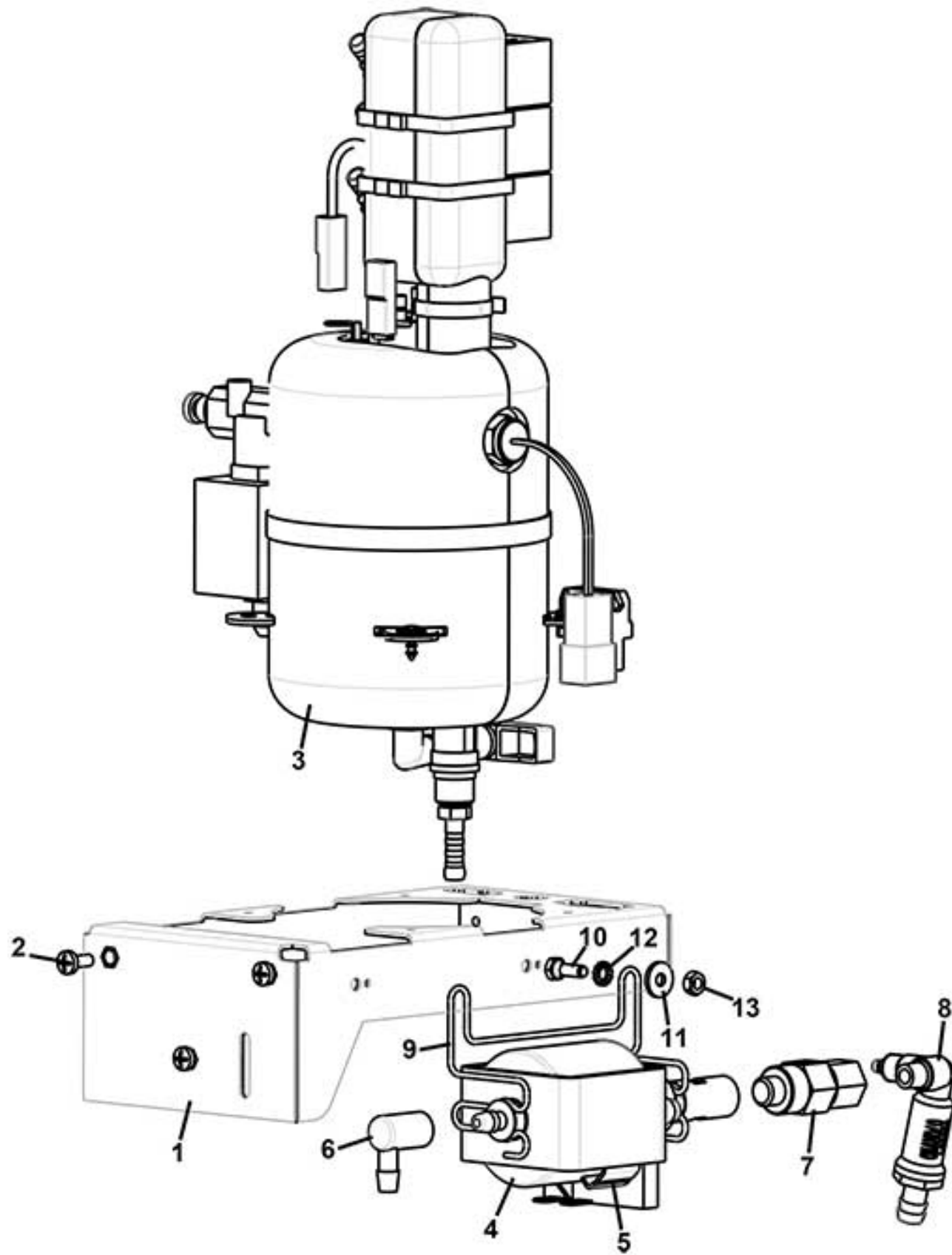


DOPPIO

DOPPIO - boiler

Pos. Code	Description
1 0600014111R	ÅŞ TANK+BOILER COVER
3 0600016089	PROBE SUPPORT
4 VIT0003211	WASHER 4,3X9X0,8
5 VIT0001005	SCREW HEAD TAP CAP M4X12
6 0600016138R	ÅŞ HEATING ELEMENT 1600W 230V
7 0600014113	HEATING ELEM GASKET
8 0600014114	HEATING ELEM GASKET
9 VIT0003203	WASHER 5,3X10X1
10 VIT0003111	SPRING WASHER 5,3
11 VIT0004804	NUT M5
12 ELE0000965	CLIXSON 88Å°
13 VIT0004816	NUT M4
14 ELE0000978R	SOLUBLES PROBE 80MM
15 0600016054	MAXIMUM LEVEL PROBE
16 0600016053	MINIMUM LEVEL PROBE
17 0600016405R	ÅŞ BOILER PUMP
18 0080100101	MIXER SHAFT GASKET
19 0600016422	PUMP LID
20 TSIL10/14T	SILICON HOSE 10X14
21 TSIL07/11T	SILICON HOSE 7X11
22 0600016028	T CONNECTOR
23 TSIL05/08T	SILICON HOSE 5X8
24 0010020063	NOZZLE SPRING D.7/11
100 0600014201CL4	ÅŞ BOILER PLUMBED 4PUMP 230V

DOPPIO - ESPRESSO boiler support

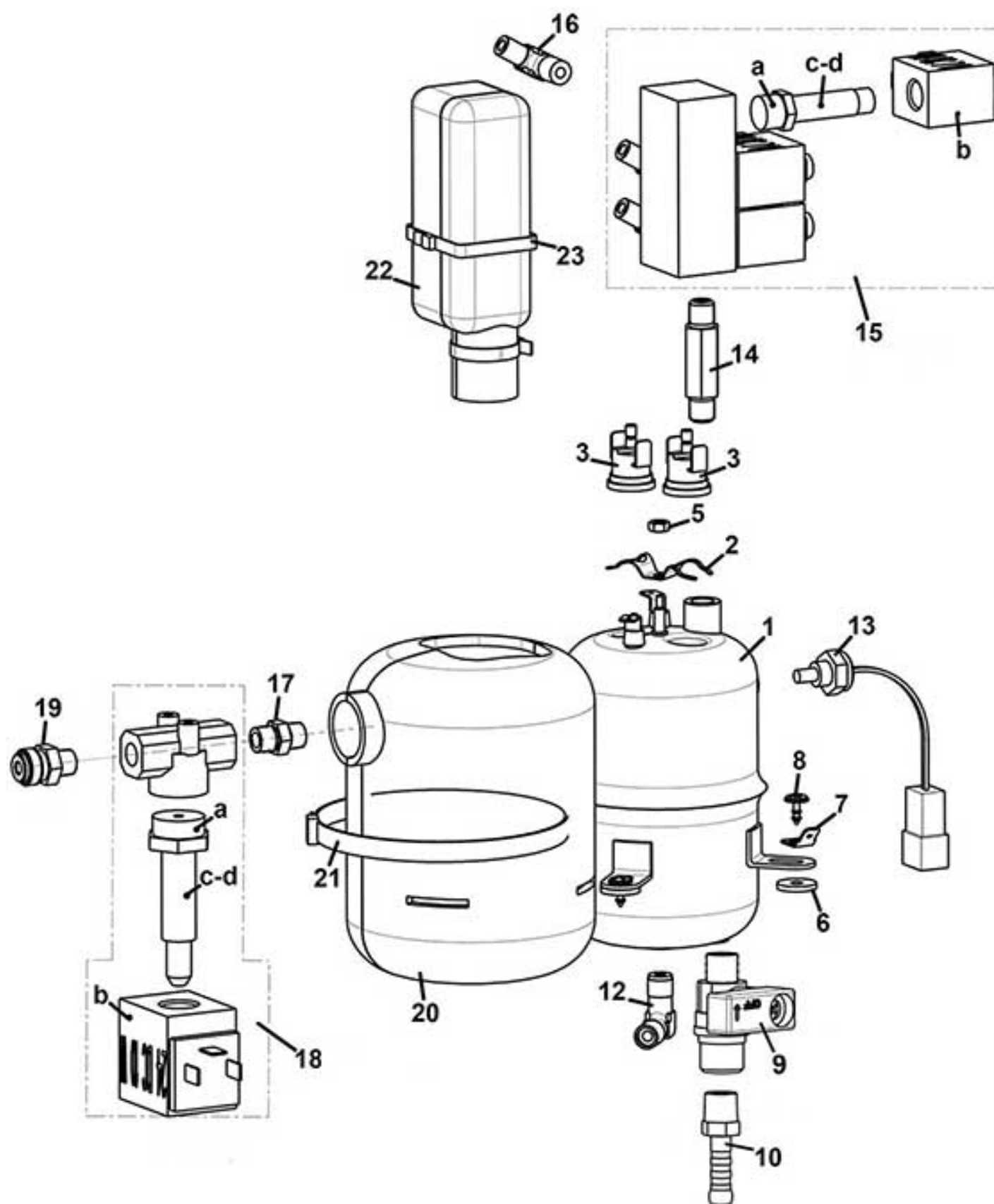


DOPPIO

DOPPIO - ESPRESSO boiler support

Pos. Code	Description
1/a 0600019795NA	INOX BOILER SUPPORT (BLACK)
1/b 0600019799NA	800CC INOX BOILER SUPPORT (BLACK)
2 VIT0000012	SCREW HEAD TAP CAP M4X10
3	See table ESPRESSO BOILER
4 0110004041	PUMP EX5 230V-50HZ
5 ELE0000915	PUMP THERMOPROTECTOR
6 0110004023	CONNECTOR
7 0110002012R	Å§ CHECK VALVE I:1/8M O:1/8F
8 0110004070	BY PASS VALVE 11 BAR
9 0110004038	PUMP SUPPORT
10 VIT0000013	SCREW HEAD TAP CAP M4X12
11 VIT0003301	WASHER 4,3X12X1,5
12 VIT0003103	SPRING WASHER 4,3
13 VIT0004503	NUT M4

DOPPIO - ESPRESSO BOILER

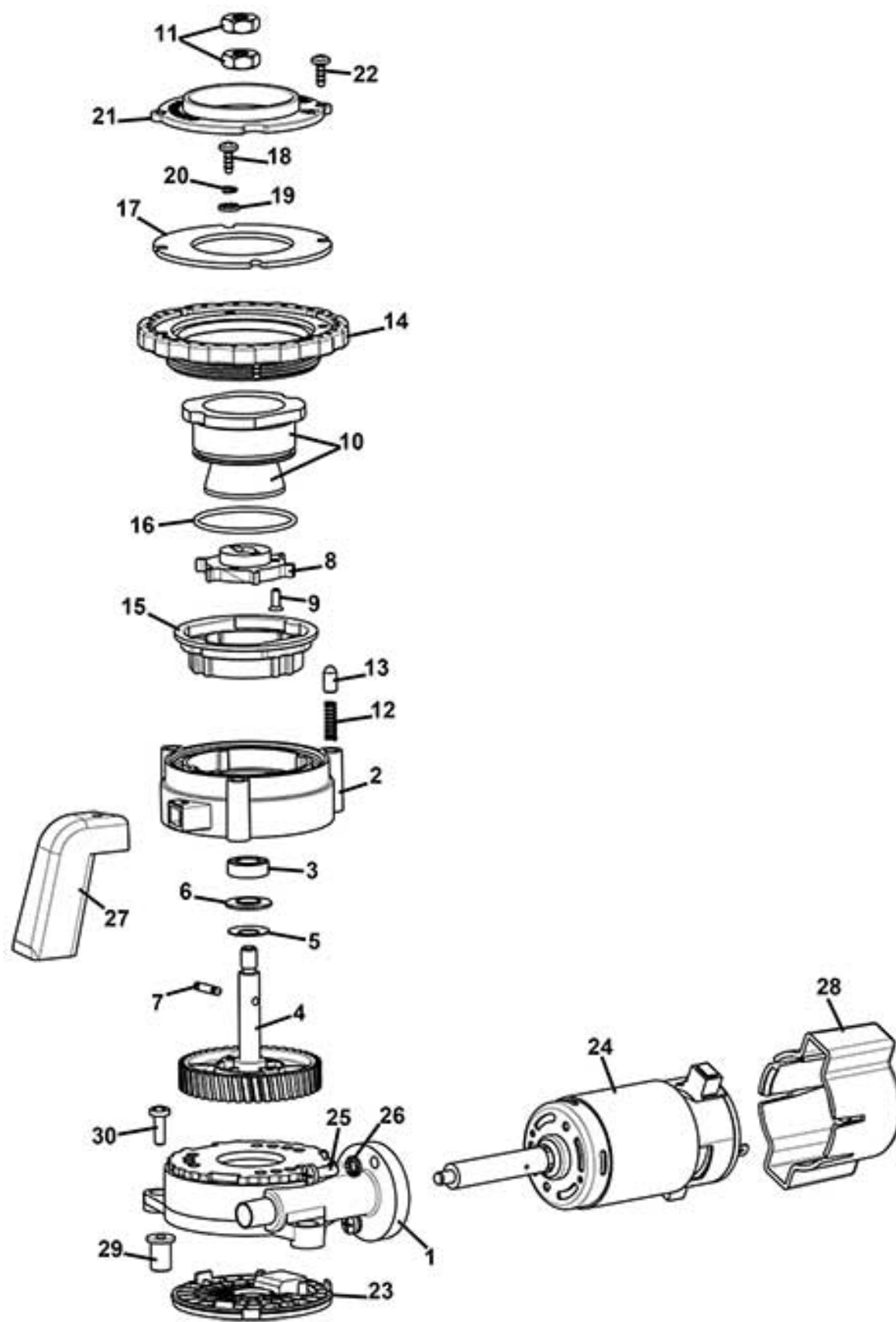


DOPPIO

DOPPIO - ESPRESSO BOILER

Pos. Code	Description
1/a 0600019701CL	Å§ BOILER 1500 W 230V 400 CC From pos.1 to pos. 5
1/b 0600019703CL	Å§ PRESS.BOIL.800CC 2000W 230V From pos.1 to pos. 5
2 0600019188	THERMOSTAT CLIP
3 ELE0000982	CLIXSON 120Å°
5 VIT0004826	NUT M4X0,7
6 1600001098	RUBBER SPACER D. 4,5
7 0600019012	GROUND WIRING
8 VIT0002401	SCREW ST HEAD CAP M3.5X9.5
9 0600019017	TAP M/F 1/8
10 0100001082	RUBBER HOLDER D.7-GC 1/8
12 0100001109	ELBOW CONNECTOR 6-1/8+OR
13 ELE0000975	PROBE
14 0600012658	BOILER STRAIGHT CONNECTOR
15/1 0110001117	VALVE BLOCK 3V 2W 24V DC 7W
15/2 0110001129	VALVE BLOCK 4V 2W 24V DC 7W
15/1-2-0110010138	SLEEVE (D.13,9+WHITE OR)
15/1-2-0110010148	SLEEVE (D.14,9+GREEN OR)
15/1-2-0110010135	COIL 7W 24V DC
15/1-2-0110010136	CORE+SPRING
16 0100001102	CONNECTOR 1/8"-Å~7,2 90Å°
17 0100001084	NIPPLE 1/8
18 0110001112	VALVE 3W 1/8 24V DC
18/a 0110010142	SLEEVE
18/b 0110010141	COIL 24V DC
18/c 0110010144	CORE+SPRING
18/d 0110010146	SPRING
19/a 0100001070	STRAIGHT CONNECTOR 800 4-1/8
19/b 0100001111	CONNECTOR 4-1/8+OR
20/a 0600019195	INSULATION SHELL
20/b 0600019198	800CC INSULATION SHELL
21 FASC000214	PLASTIC CLIP BLACK 7,8X365
22/a 0600019196	INSULATION SHELL
22/b 0600019175	INSULATION SHELL
23 FASC000215	PLASTIC CLIP BLACK 2,6X200

DOPPIO - GRINDER

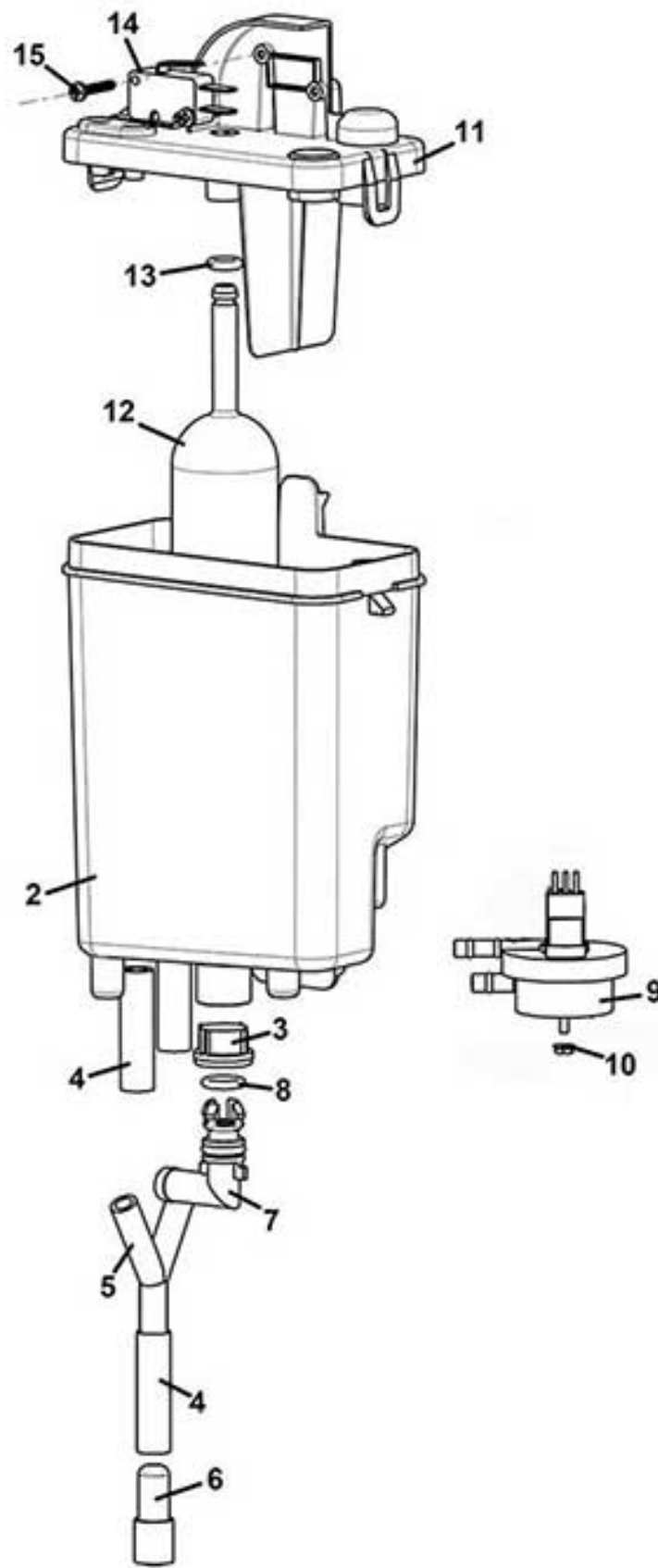


DOPPIO

DOPPIO - GRINDER

Pos. Code	Description
1 0320001639NAR	Å§ MOTOR SUPPORT BLACK+PLUG
2 0320001602NAR	GRINDER BLADES SUPPORT
3 VIT0009325	BEARING
4 0320001608R	Å§ WHEEL+SHAFT+MAGNETS
5 0320001629	SPRING
6 0320001625	BUSH
7 0320001704	GRINDER ROTATION PIN REINFORCED
8 0320001636	EJECTOR
9 VIT0000121	SCREW COUNT FLAT HEAD M3X8
10 0320001620	CONIC MILL
11 0320001642	LOWER GRINDER FIXING NUT
12 0320001643	SPRING D.4X15X0,6
13 0320001624	REGULATION PIN
14 0320001605NAR	Å§ REGULATION RING NUT BLACK
15 0320001635NA	GRINDER SUPPORT BLACK
16 GUA0000124	OR 2137
17 0320001622	UPPER GRINDER FIXING
18 VIT0002469	SCREW HEAD TAP M3.5X10
19 0320001666	SPACER D.4x7x2
20 VIT0003103	SPRING WASHER 4,3
21 0320001607NA	DUCT BLACK
22 VIT0002469	SCREW HEAD TAP M3.5X10
23 0320001604NA	PLUG BLACK
24 0090003047	GRINDER MOTOR 230V
25 VIT0000013	SCREW HEAD TAP CAP M4X12
26 VIT0003103	SPRING WASHER 4,3
27 0320004736	GRINDER CHUTE (ORANGE)
28 0320001615NA	GRINDER SENSOR COVER BLACK
29 0320001628	NO-VIBRATION BUSH
30 VIT0000012	SCREW HEAD TAP CAP M4X10
100 0320001601CL3	Å§ GRINDER-VARIFLEX BREWER 15Å° From pos.1 to pos. 28

DOPPIO - water inlet panel

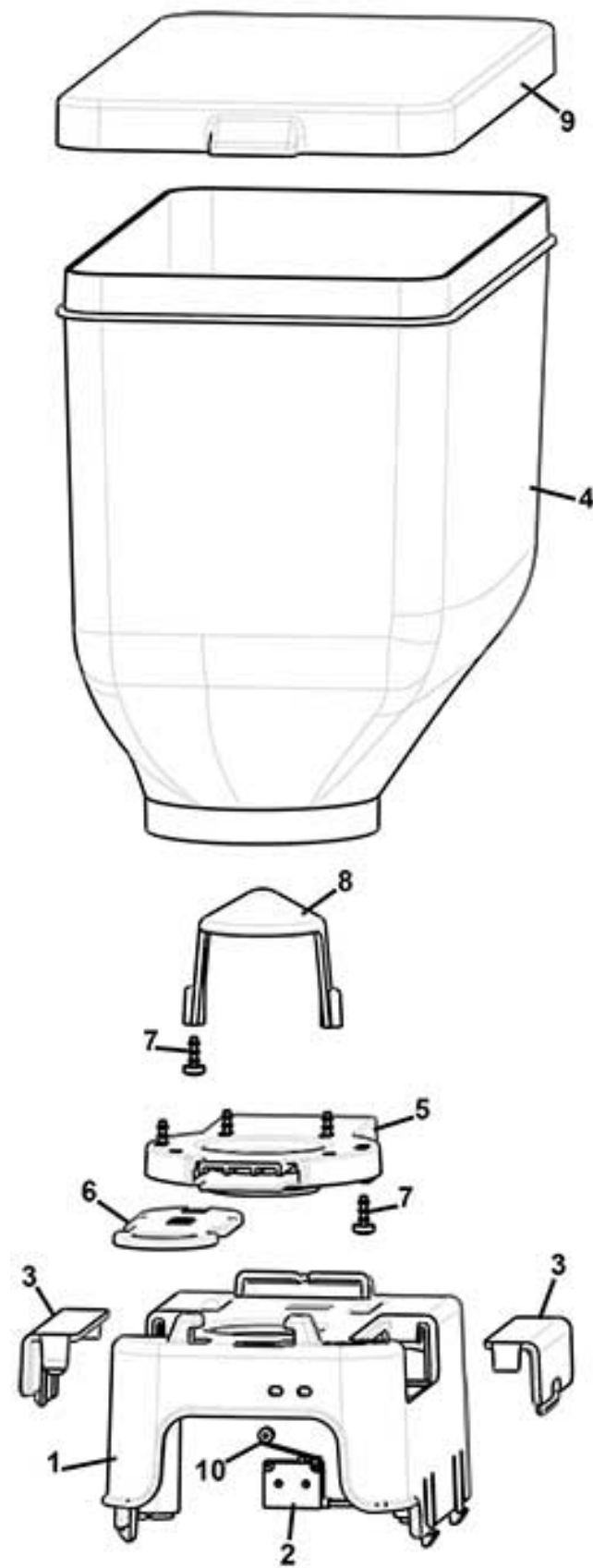


DOPPIO

DOPPIO - water inlet panel

Pos. Code	Description
2 0800013041	AIR BREAK TANK
3 0110020007	PLASTIC FILTER DIAM. 20
4 TSIL07/11T	SILICON HOSE 7X11
5 0100001065	CONNECTOR "Y"
6 650001057	DRAINER PLUG
7 0800009211	ELBOW CONNECTOR
8 GUA0000043	OR 109
9 0110007003	VOLUMETRIC COUNTER
10 VIT0004701	NUT M3
11 0800013043	AIR BREAK COVER
12 0800013046	AIR BREAK WASTE FLOAT
13 GUA0000082	SILOCONE GASKET D.6
14 ELE0001514	MICROSWITCH 3A 125-250VA
15 VIT0002013	SCREW ST HEAD CAP M2.9X19

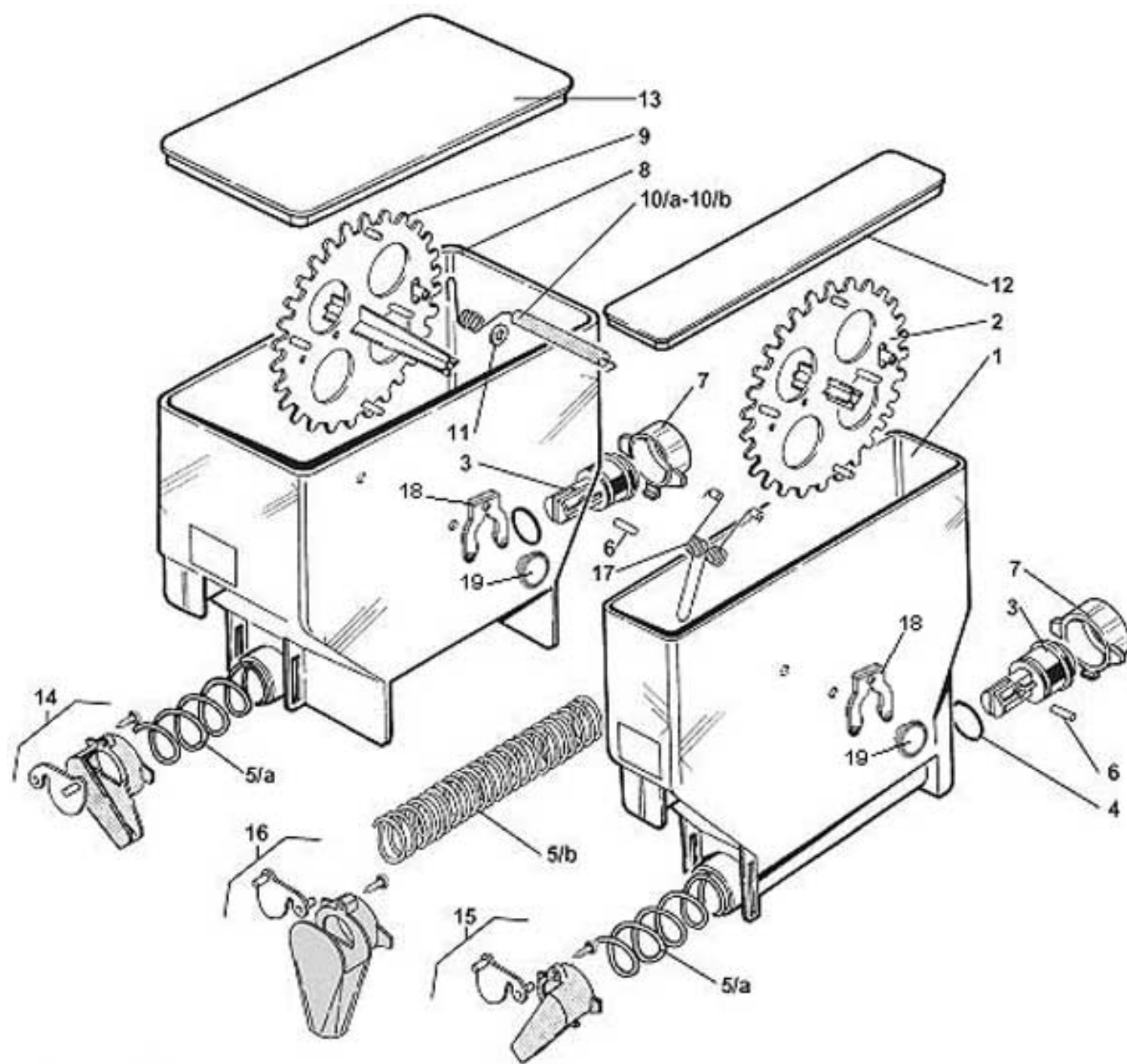
DOPPIO - coffee beans container



DOPPIO

DOPPIO - coffee beans container

Pos. Code	Description
1 0230015738	GRINDER COVER
2 ELE0001522	MICROSWITCH
3 0230015229-02	REGULATION COVER
4 0230015171	COFFEE BEANS HOPPER
5 0230015231	COFFEE BEANS HOPPER ADAPTER
6 0230015224IC	COFFEE BEANS HOPPER STOPPER
7 VIT0002114	SCREW COUNT FLAT HEAD M3.5X16
8 0230015227TR	GRINDER COVER
9 0230015172	COFFEE BEANS HOPPER LID
10 ELE0001911	MICROSWITCH LEVER
100 0230015170CL1	Å§ COFFEE BEANS HOPPER From pos.4 to pos.9



DOPPIO

DOPPIO - products container

Pos. Code	Description
1 0230030233	INGREDIENT CANISTER 54 190
2 0230030236AB	WHEEL (PLASTIC)
3 0230030012	SPIRAL PIN
4 GUA0000083	OR 123
5/a 0230030014	SPIRAL 18
5/b 0230030013	SPIRAL 9
6 VIT0005106	SPRING PIN 2X14
7 0230030011	REAR BUSH
8 0230030234	Â§ CANISTER 110-265 W/PIN
9 0230030237AB	DOUBLE WHEEL (PLASTIC)
10/a 0230030064	AGITATOR 112-RIGHT OUTLET
10/b 0230030062	PRODUCT AGITATOR 112-LEFT
11 VIT0003210	WASHER 8,4X16X1,6
12 0230030006	CANISTER 55 LID
13 0230030009	CANISTER 112 LID
14/1a 0230030198R	Â§ INGRED. CHUTE-RIGHT ORANGE
14/2a 0230030058R	Â§ INGRED. CHUTE-RIGHT ORANGE
14/1b 0230030187R	Â§ INGREDIENT CHUTE-RIGHT RED
14/2b 0230030044R	Â§ INGREDIENT CHUTE-RIGHT RED
15/1a 0230030197R	Â§ INGREDIENT CHUTE-LEFT ORANGE
15/2a 0230030057R	Â§ INGREDIENT CHUTE-LEFT ORANGE
15/1a 0230030186R	Â§ INGREDIENT CHUTE-LEFT RED
15/2b 0230030043R	Â§ INGREDIENT CHUTE-LEFT RED
16/1a 0230030199R	Â§ INGRED. CHUTE-FRONTALORANGE
16/2a 0230030059R	Â§ INGRED. CHUTE-FRONTALORANGE
16/1b 0230030188R	Â§ INGREDIENT CHUTE-FRONTAL RED
16/2b 0230030055R	Â§ INGREDIENT CHUTE-FRONTAL RED
17 0230030060-04	ANTIBRIDGING
18 0230030239	WHEEL PIN FORK
19 0230030238	WHEEL PIN
100 0230030013CL	Â§ SPIRAL 9
101 0230030014CL	Â§ SPIRAL 18
102 0230030250R	Â§ CANIS. 54-265 WHEEL18 W/LID
103 0230030251R	Â§ CANIS. 54-265 WHEEL9 W/LID
104 0230030254R	Â§ CANIS. 54-265 SPIRAL9 W/LID
105 0230030260R	Â§ CAN. 110-265 AGIT.18 W/LID-R
107 0230030262R	Â§ CAN. 110-265 AGIT.18 W/LID-L
108 0230030233R	Â§ CANISTER 54-265 Pos. 1+2+18+19