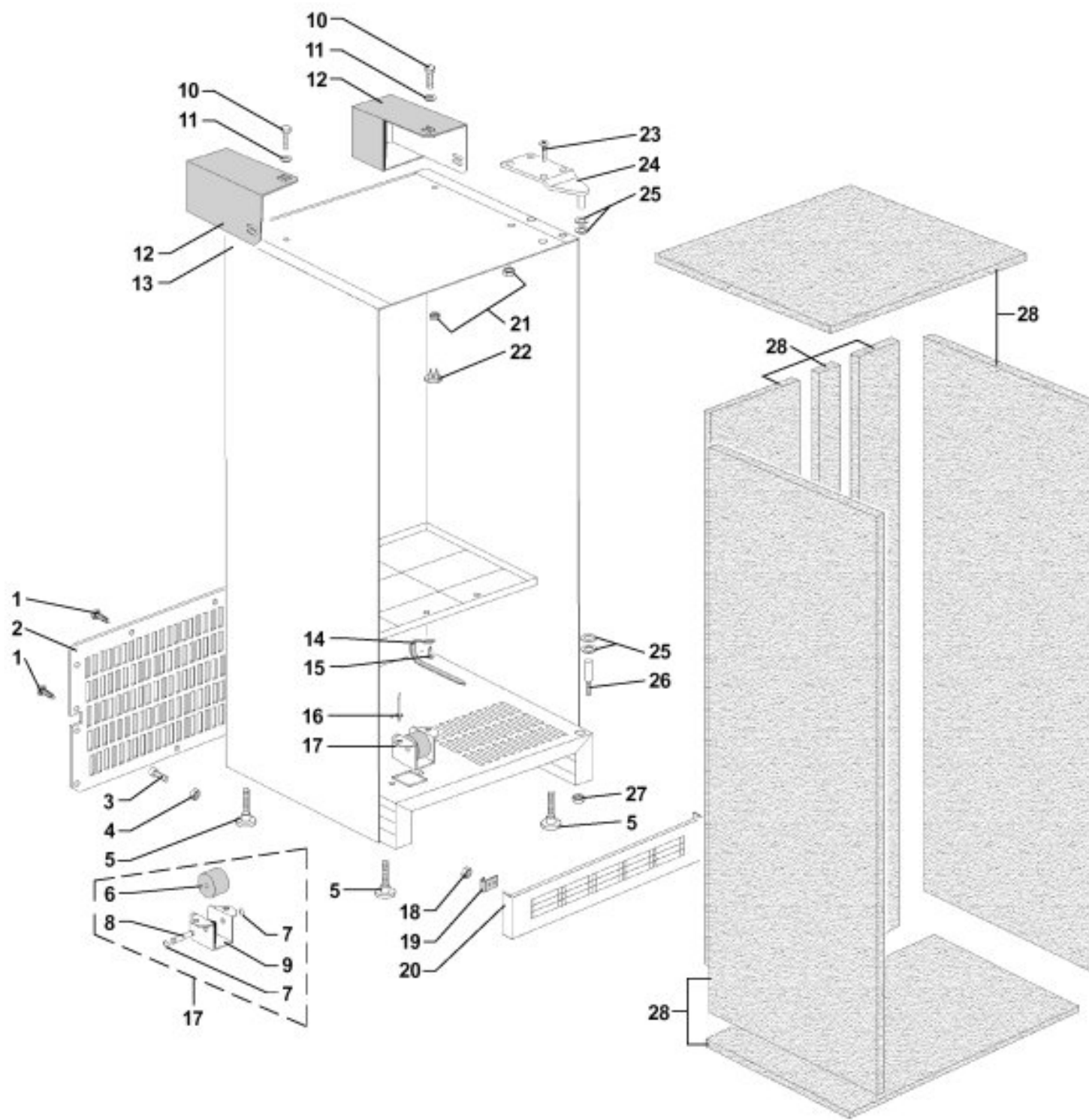


vending machine

[ETA BETA]

spare parts manual

ETA BETA - Cabinet unit

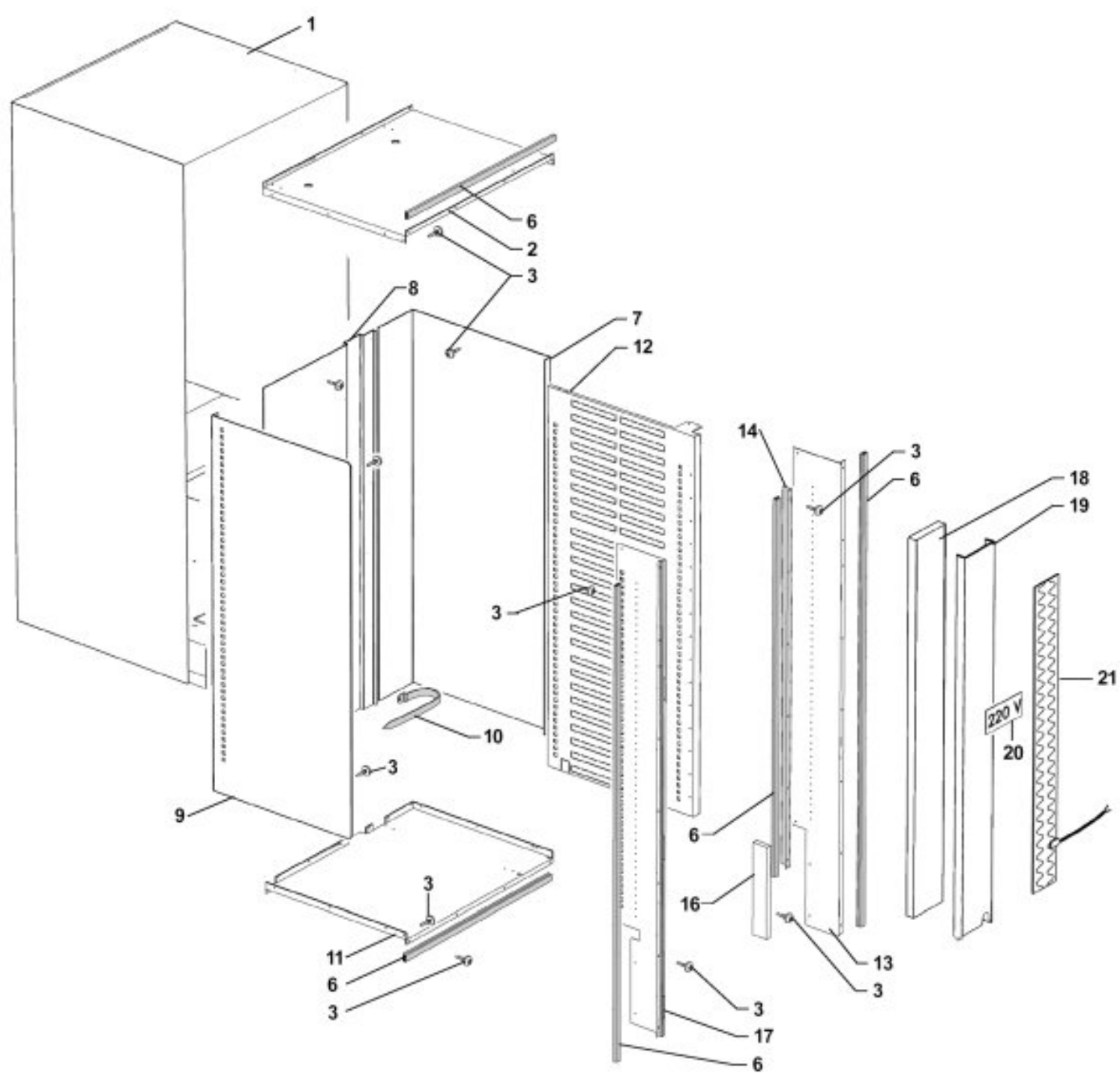


ETA BETA

ETA BETA - Cabinet unit

Pos. Code	Description
1 00035009	Self-tapping screw wide head 3,9 x 9,5
2 61500007	Rear EB grid
3 00034022	Screw TE 4 x 25
4 00031010	Flanged nut M4
5 00014001	Cabinet foot
6 00041002	DOOR SUPPORT NYLON ROLLER
7 00033003	RADIAL D.7
8 00040059	PIN 8 x 32
9 75100012	ROLLER DOOR SUPPORT
10 00034033	TE 6 x 25 Screw
11 00032010	Washer D. 6 x 18
12 61500025	Wall-mounting bracket
13 61500012	EB cabinet frame
14 00011007	Reopenable clamp SSC2S-S6-C
15 00035009	Self-tapping screw wide head 3,9 x 9,5
16 00013006	Aluminium rivet 3,8 x 10
17 75100034	COMPLETE ROLLER DOOR SUPPORT
18 00031010	Flanged nut M4
19 61500010	Hook for EB skirting
20 61500009	EB cabinet front skirting
21 00031052	D. 6 self-tapping Nut
22 00015071	Internal hole covering cup
23 00034047	TPSCE 6 x 25 Screw
24 61500008	EB door upper hinge
25 00032012	BRASS WASHER D.8
26 61500060	DOOR LOWER PIN
27 00031008	Flanged nut M6
28 00012001	Expanded polyurethane insulating (sqmt)

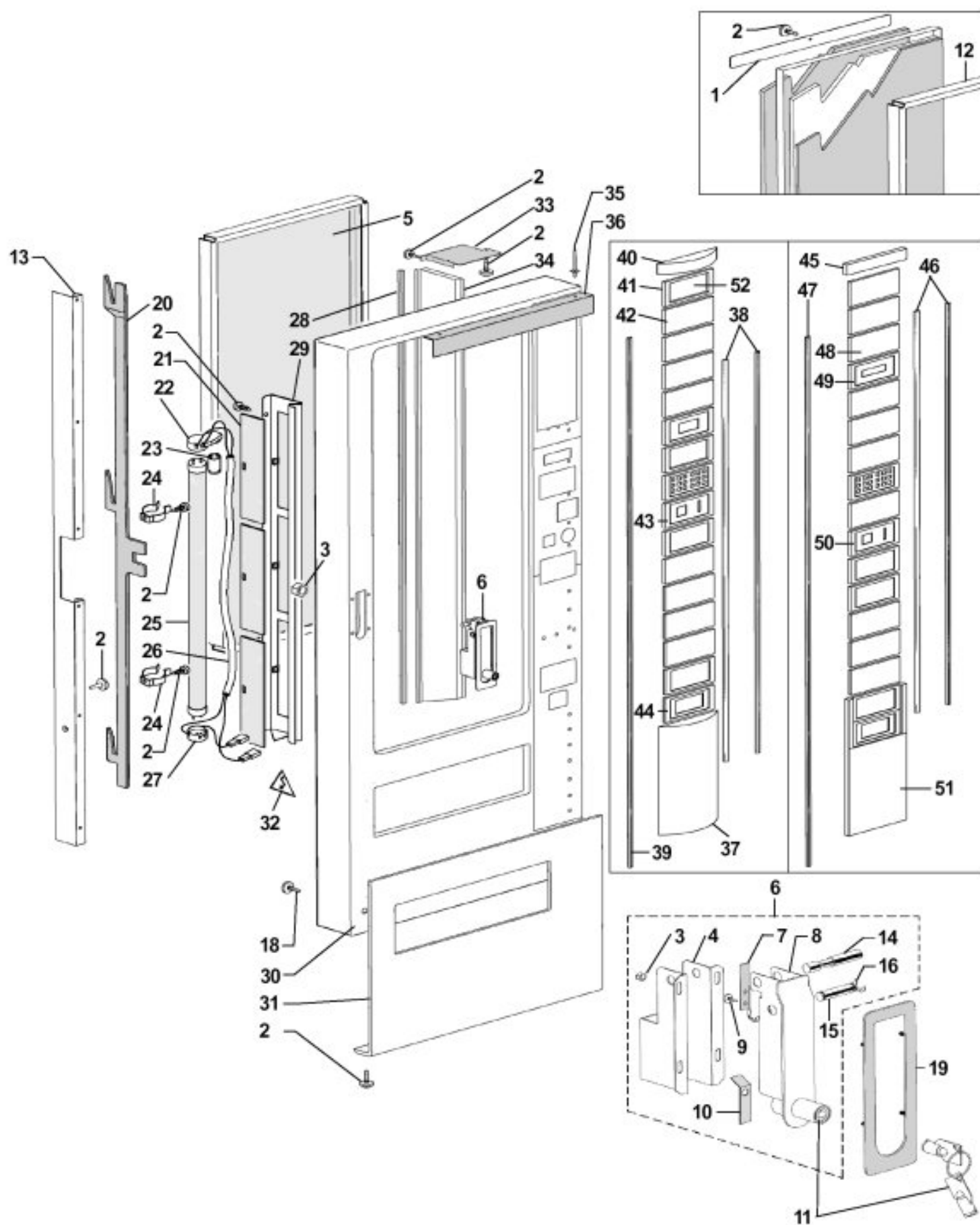
ETA BETA - Cabinet interior



ETA BETA

ETA BETA - Cabinet interior

Pos. Code	Description
1 61500012	EB cabinet frame
2 61560002	EB internal upper
3 00035009	Self-tapping screw wide head 3,9 x 9,5
6 61500021	Black cabinet seal per mt
7 61403003	Back of EB unit
8 61563003	Interior back of EB unit
9 61563004	EB Left interior
10 00011007	Reopenable clamp SSC2S-S6-C
11 61560001	EB internal Lower
12 61403006	EB aeration panel
13 61553002	EB right seal support
14 61553011	EB internal seal support
16 00012010	Veolene thickness 10 x 155 (mt)
17 61550001	EB right external support
18 61570005	EB evaporator insulating material
19 61570006	Evaporator insulating sheet metal panel
20 00011006	230V symbol PESC-C-230V
21 61570011	EB-PRO condensate-proof heating element

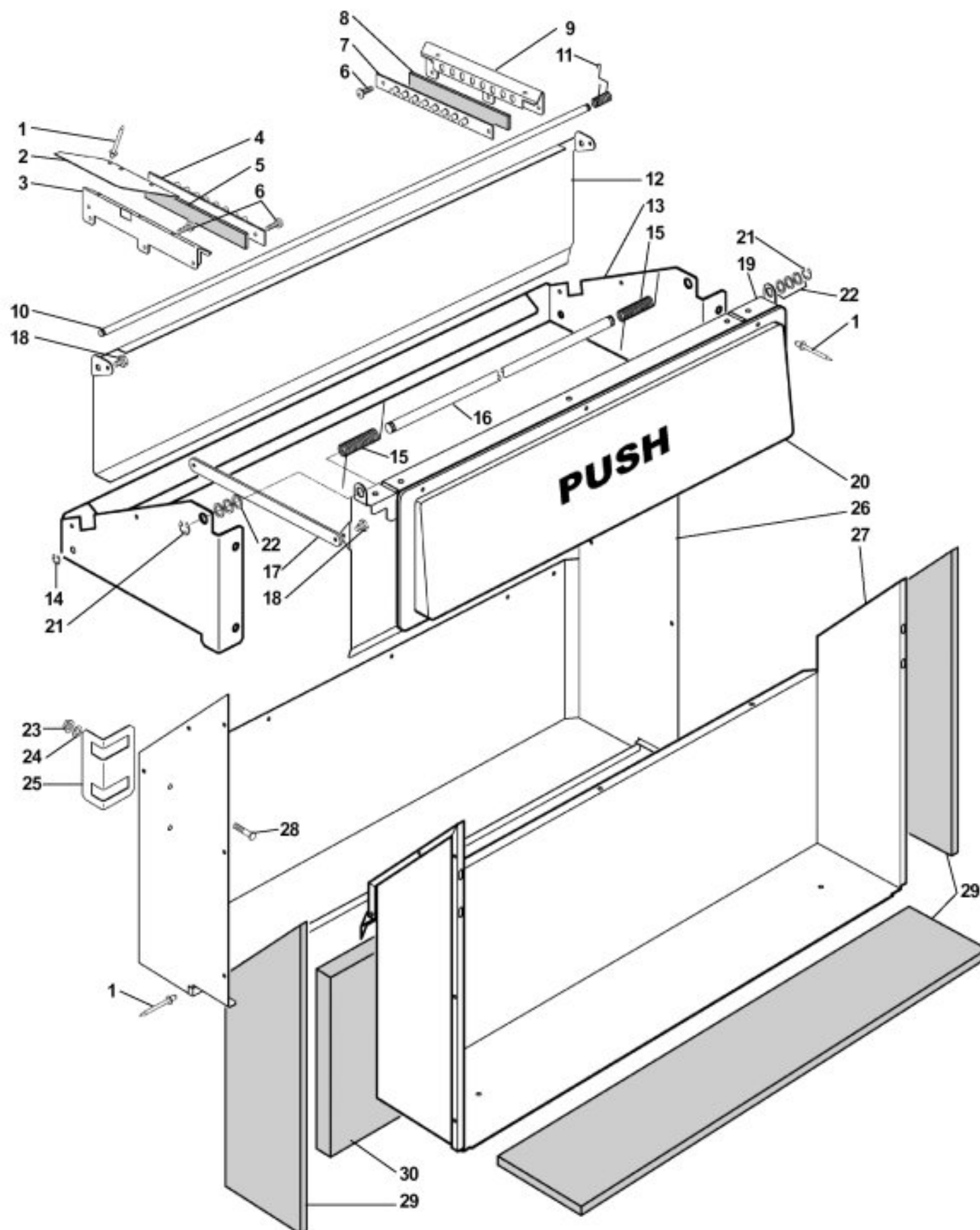


ETA BETA

ETA BETA - Door Unit

Pos. Code	Description	
1	61101002	EB horizontal glass stopper
2	00035009	Self-tapping screw wide head 3,9 x 9,5
3	00031011	Flanged M5 nut
4	75130003	Door handle interior frame Sh-EB
5A	61101001	EB double glazed glass-case
5B	61101021	EB-Pro double glazed glass-case
6	75130001	Door handle for Sh-EB series
7	75130008	Stop for Sh-EB handle
8	75130002	Sh-EB external handle frame
9	00035002	TC+ 3,9 x 9,5 self-tapping screw
10	61130001	Handle pin fastener
11	13130001	Lock pin
12	61101008	Complete EB glass-case seal
13	61100021	Right hand longitudinal member EB
14	00040068	Carillon pin 8 x 45
15	00040059	PIN 8 x 32
16	00033003	RADIAL D.7
18	00035009	Self-tapping screw wide head 3,9 x 9,5
19	71130001	Frame for Sh-EB handle
20	61130006	EB handle carillon
21	61101026	EB/EP8 neon lamp glass cover
22	61511002	LAMP HEAD + STARTER EB/EP8/EM8S
23	00028005	LAMP STARTER
24	61511003	LAMP SPRING CLIPS EB/EP8/EM8S
25	12100004	36W neon lamp
26	61153011	EB neon wiring harness part 2 heads
27	61511001	LAMP HEAD EB/EP8/AM8S
28	00012005	Insulator 4 x 10 (per mt)
29	61101025	EB lamp glass cover fastener
30	61103003	EB Door frame
31	61103028	EB Lower door aesthetic protection
32	00011004	Small yellow 'Voltage' sticker
33	61103051	EB upper door reinforcing triangle
34A	61103042	EB Vertical door separator
34B	61103043	EB-Pro Vertical door separator
35	00013003	Aluminium rivet 2,9 x 9
36	61100024	EBR Upper door aesthetic protection
37	13119015	EBR Lower support
38	13119016	Rh Aesthetic profile h=1227
39	75101089	Rh Aesthetic profile h=1660
40	13119014	EBR Upper support
41	00018002	Aesthetic module with window
42	00018001	Neutral aesthetic module
43	00018003	Coin introduction aesthetic module
44	00018004	Coin return aesthetic module
45	61109014	Rh Luce Upper support
46	61109016	Rh Luce Aesthetic profile h=1150
47	61109017	Rh Luce Aesthetic profile h=1660
48	00018001	Neutral aesthetic module
49	00018032	Display mask glass
50	00018003	Coin introduction aesthetic module
51	61109015	Rh Luce Lower support
52	00018031	Istructions transparent glass

ETA BETA - Dispenser unit

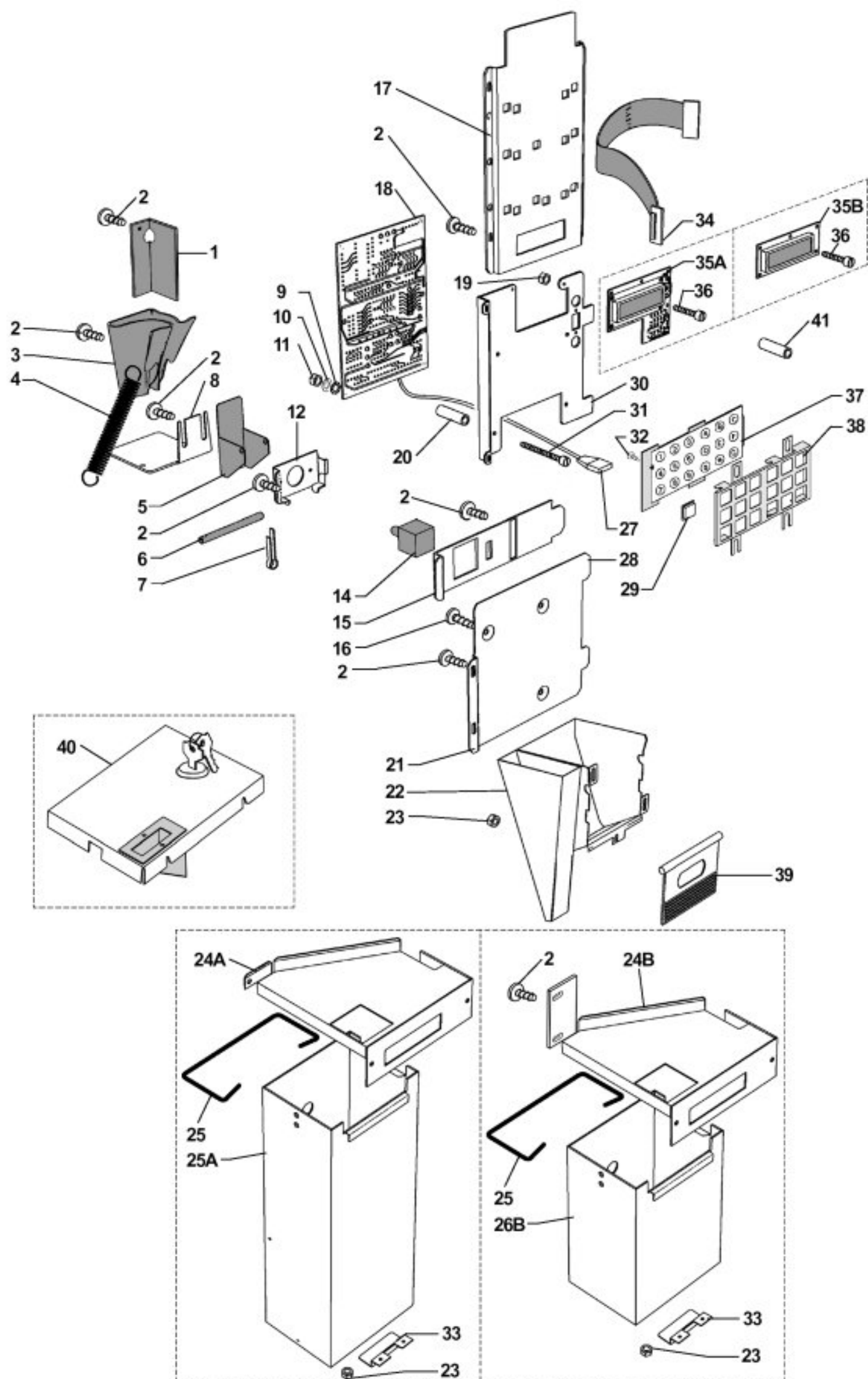


ETA BETA

ETA BETA - Dispenser unit

Pos. Code	Description
1 00013003	Aluminium rivet 2,9 x 9
2 61100050	Polycarbonate products wing
3 65150015	Right FTCA sensor support
4 00067006	EB IR FTCA barrier Rx Card
5 00012007	Veolene 6 x 65
6 00035052	TC+ 3,9x 9,5 self-tapping screw without point
7 00067005	EB IR FTCA barrier Tx Card
8 00012007	Veolene 6 x 65
9 65150016	Left FTCA sensor support
10 61103054	Rod for R.2 EB anti-theft
11 61103045	R.2 EB product anti-theft spring
12 61103012	EB tray anti-theft panel
13 61103029	EB Outlet support
14 00033005	D. 5 radial
15 61103044	Spring for R.2 EB product flap
16 61103035	EB R.2 front door pin
17 61103034	Anti-theft panel lever
18 61100008	DOOR LEVER PIN
19 61103006	EB product extraction door sheet
20 61103007	"Push" EXTERNAL DRAWING DOOR
21 00033006	RADIAL D.8
22 00032012	BRASS WASHER D.8
23 00031010	Flanged nut M4
24 00032002	D.4 Washer
25 61100047	EB safety switch bracket
26 61103031	Product extraction tray external casing
27 61103033	EB product collection tray
28 13100046	Stud bolt M4
29 00012010	Veolene thickness 10 x 155 (mt)
30 00012012	20mm veolene (m)

ETA BETA - Coin box and slides

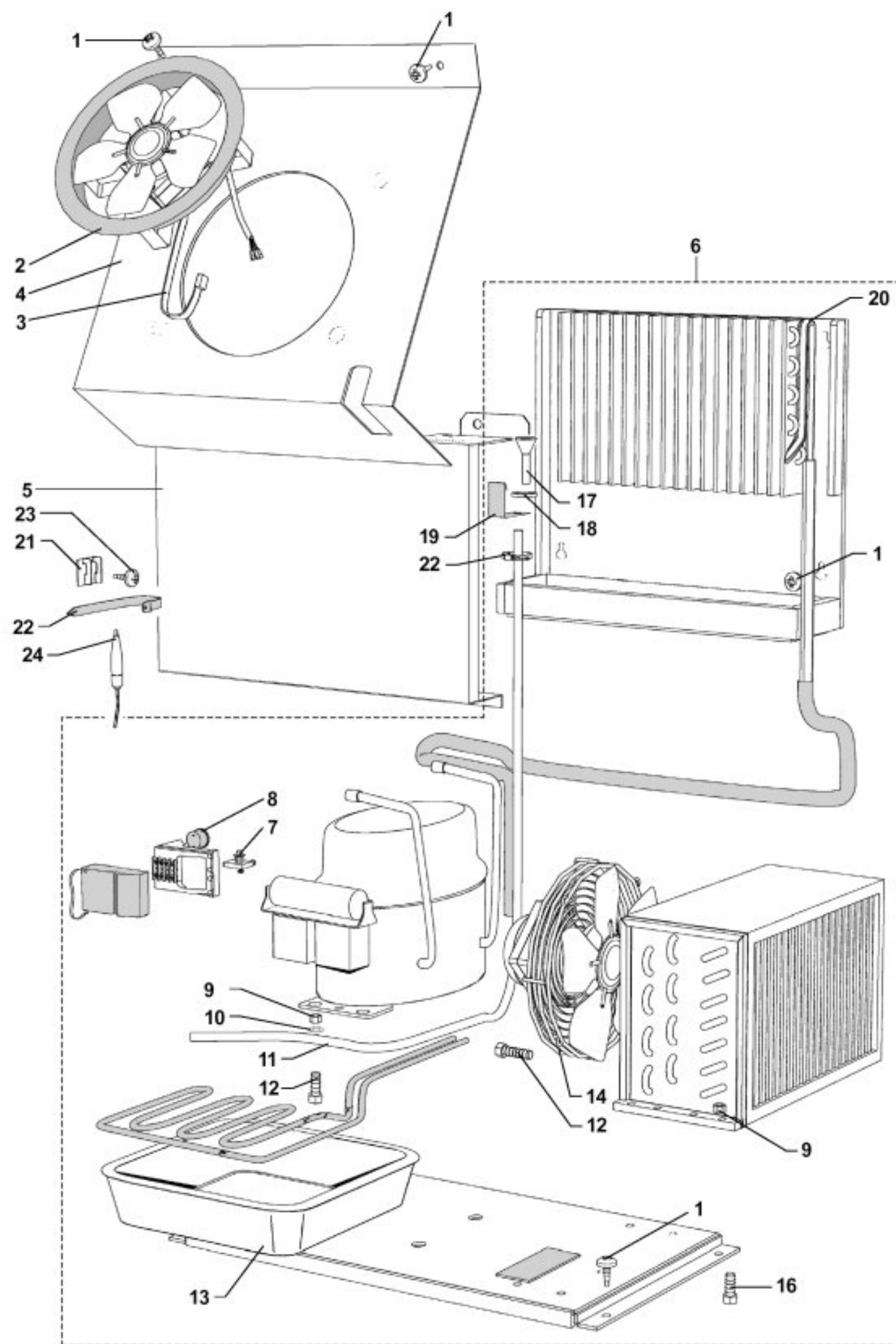


ETA BETA

ETA BETA - Coin box and slides

Pos. Code	Description
1 61120048	Coin wing
2 00035002	TC+ 3,9 x 9,5 self-tapping screw
3 00018030	Coin entry slide
4 00016006	Spring for change return lever
5 61120033	Lower square for EB coin rejection
6 61120040	EB coin rejection lever pin
7 00018024	Coin rejection lever split pin
8 61120039	EB change return lever
9 00032001	Washer D. 3
10 00032051	External toothed washer D.3
11 00031001	D. 3 Nut
12 61120015	Change return lever square
14 13111006	Coin return button with pin
15 61120032	EB raceway support
16 00034071	TC+ 4 x 16 Screw
17 61120036	Removable EB door plate
18 00061008	EB/EP8 Master electronic card
19 00031001	D. 3 Nut
20 00040051	8 x 25 Spacer
21 61120001	EB Coin box support
22 61120041	EB outlet and change slide
23 00031010	Flanged nut M4
24A 61103052	EB middle door reinforcing triangle
24B 61103053	EB Luce middle door reinforcing triangle
25 61120013	Coin box handle
26A 61120043	EB coin box
26B 61121043	EB Luce coin box
27 00069004	EB keyboard cable
29 00014061	EB membrane keyboard transparent key
30 61150005	Support for CPU EB
31 00034006	TC 3 x 35 Screw
32 00035004	TC+ 2,9 x 6,5 Self-tapping screw
33 61120034	EB coin box lower square
34 00069003	EB Display flat cable
35A 00061009	EB display card
35B 00061012	EB/EP8 display card
36 00034002	TC 3 x 20 Screw
37 00061051	Membrane keyboard for EB
38 61150017	EB membrane keyboard frame
39 00018009	Rh coin return flap
40 61120049	EB coin box cover
41 00040071	Spacer for display 8 x 11

ETA BETA - Cooling unit

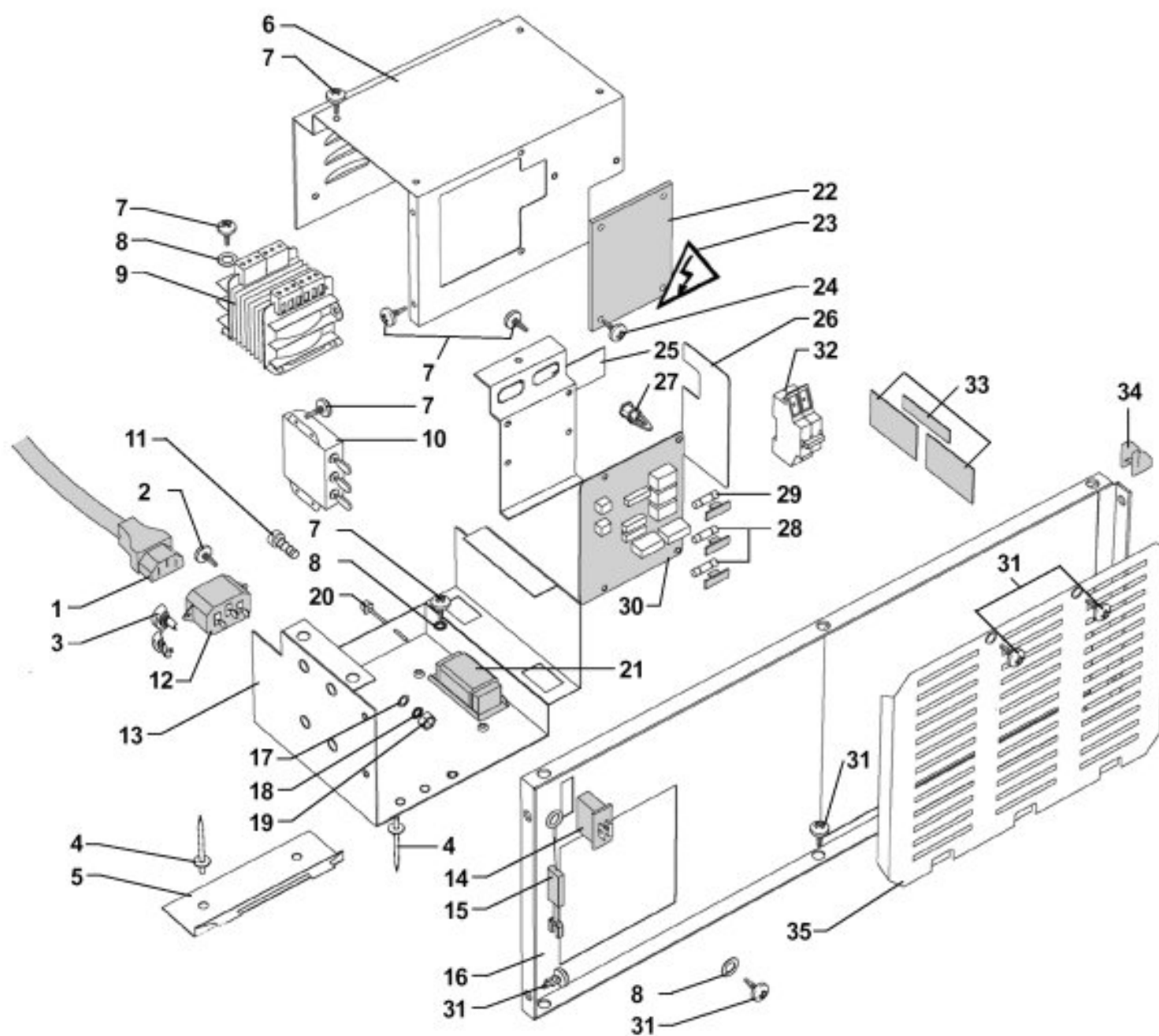


ETA BETA

ETA BETA - Cooling unit

Pos. Code	Description
1 00035009	Self-tapping screw wide head 3,9 x 9,5
2A 61400004	EB Combi compressing fan
2B 61400010	EB Snack blowing fan
3 00011002	Plastic clip 2,5 x 160
4 61400005	EB fan support
5 61400002	EB evaporator cover
6 61400001	EB Cooling unit
7 12400016	Amperometric relay for cooling unit
8 12400015	Klixon for cooling unit
9 00031008	Flanged nut M6
10 00032010	Washer D. 6 x 18
11 12400003	Silicone pipe (mt)
12 00034033	TE 6 x 25 Screw
13 13400018	Plastic evaporator condensate tray
14 12400010	Fan for refrigerator unit compressor
16 00034027	TE 6 x 16 Screw
17 00040038	Pipe for refrigerator tray
18 12400014	Gasket for tray pipe
19 14401001	FM Sh EB Discharge support square
20 75400004	SL-SLP-EB Evaporator support
21 00011001	Clamp holder
22 00011002	Plastic clip 2,5 x 160
23 00035004	TC+ 2,9 x 6,5 Self-tapping screw
24 13400011	Temperature probe for DS2 card

ETA BETA - Electrical box

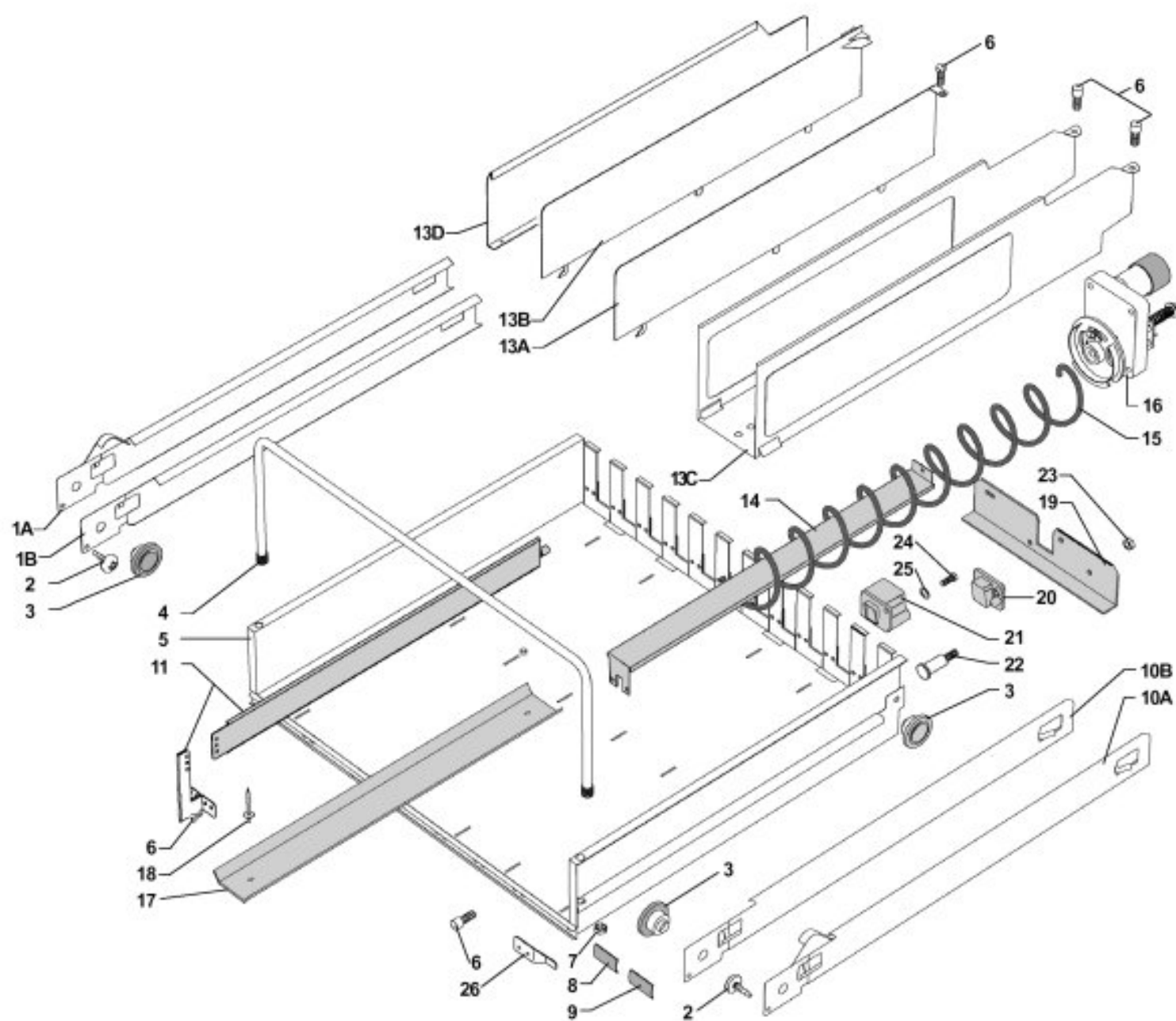


ETA BETA

ETA BETA - Electrical box

Pos. Code	Description
1 00021056	Feeding cable with S31 plug
2 00035002	TC+ 3,9 x 9,5 self-tapping screw
3 00021072	Reopenable plastic cable lock
4 00013003	Aluminium rivet 2,9 x 9
5 61510008	Bracket for electrical casing EB
6 75510014	Electric box cover SL-EB
7 00035052	TC+ 3,9x 9,5 self-tapping screw without point
8 00032052	External toothed washer D. 4
9 61510005	EB transformer
10 00020052	Screened 20A voltage filter
11 00034001	TC 3 x 16 Screw
12A 00020071	Panel pin with screws
12B 00020073	Panel pin with filter 10A
13 75510004	Electric box frame Sh-EB
14 00027006	DOOR CIRCUIT BREAKER
15 00027007	Safety switch key
16 61500005	EB front grid
17 00032001	Washer D. 3
18 00032051	External toothed washer D.3
19 00031001	D. 3 Nut
20 00011002	Plastic clip 2,5 x 160
21A 61510006	EB lamp reactor
21B 61511006	EB lamp reactor 36W
22 61510007	EB electrical casing smoked window
23 00011004	Small yellow 'Voltage' sticker
24 00035052	TC+ 3,9x 9,5 self-tapping screw without point
25 61510015	Power card support EB
26 75510007	Magneto. Switch separator SL-EB
27 00025055	6 mm height spacer
28 00029004	Delayed fuse 5x20 T4A
29A 00029002	Delayed fuse 5x20 T6,3A
29B 00029005	Delayed fuse 5x20 T2A
30A 00065003	Relay card DS2-POT V.6.2 probes
30B 00065007	track board
31 00035009	Self-tapping screw wide head 3,9 x 9,5
32 61510009	6A Magnetothermal switch
33 61510012	EB electrical casing connection sticker
34 00015003	Large 'U'-gasket (per Mt)
35 71401006	Front cabinet sheet metal inspection

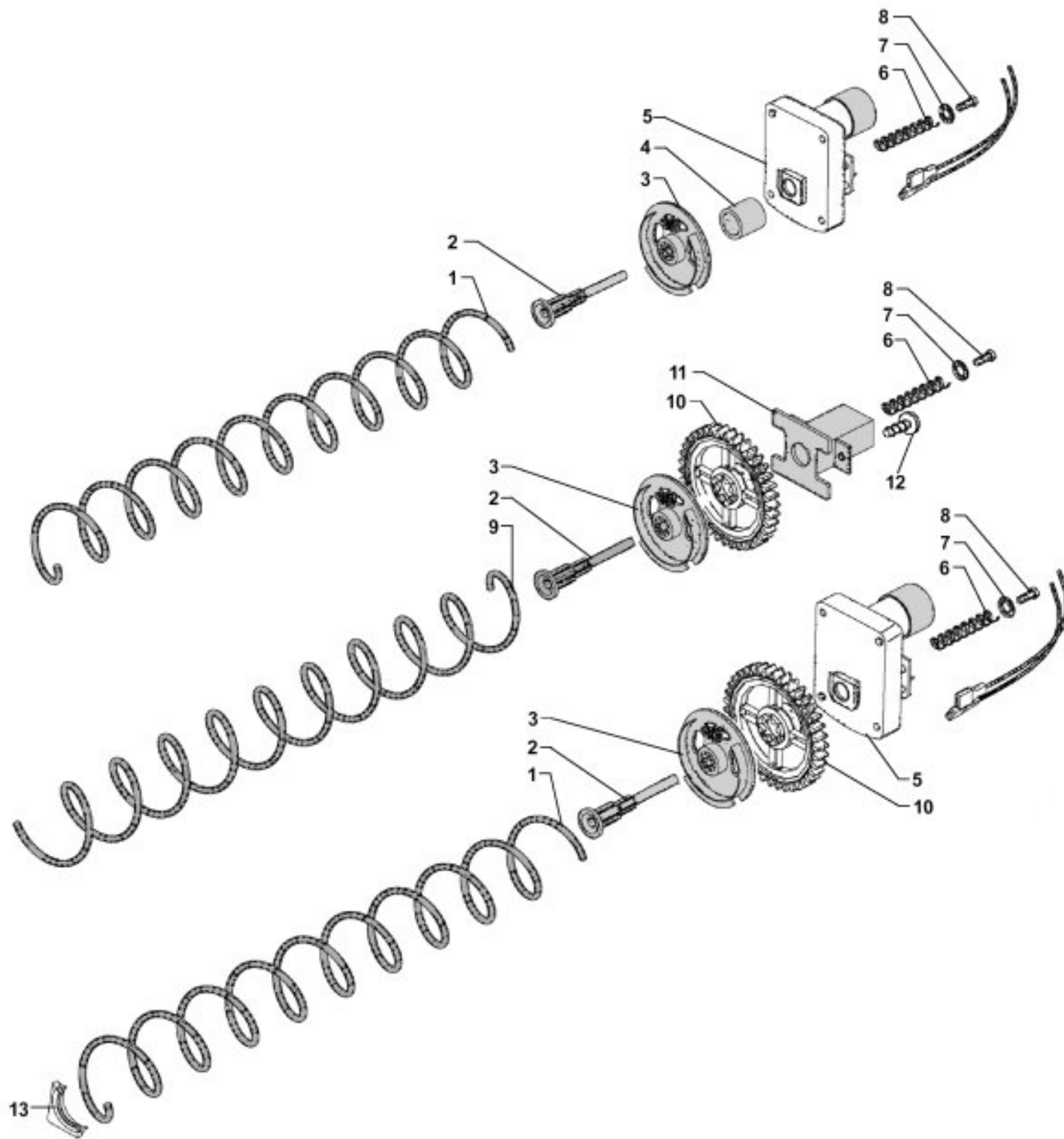
ETA BETA - Drawer unit



ETA BETA

ETA BETA - Drawer unit

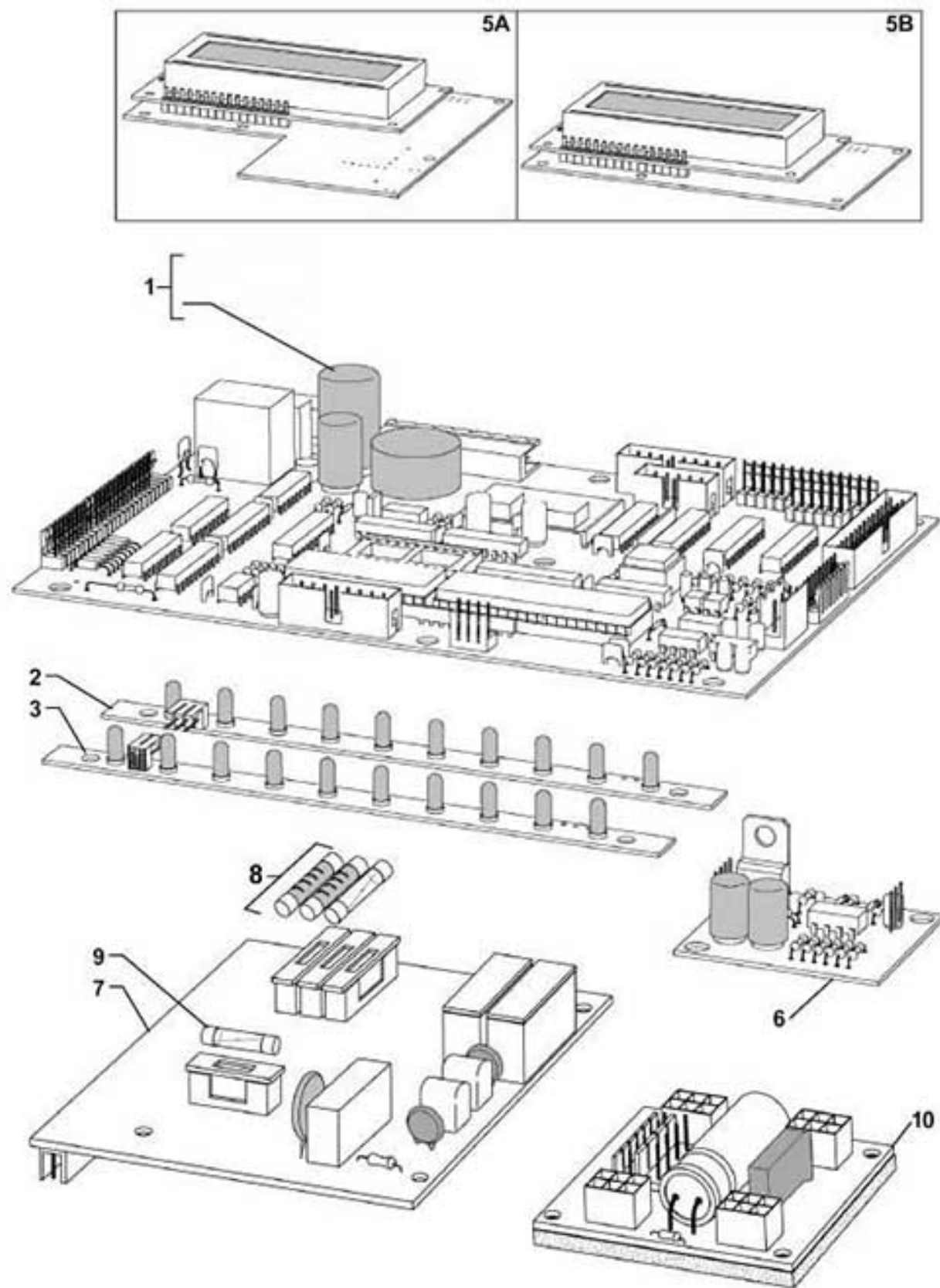
Pos. Code	Description
1A 61301003	EB Drawer reclining left-hand guide
1B 61300003	EB Drawer fixed left-hand guide
2 00035009	Self-tapping screw wide head 3,9 x 9,5
3 61300015	DRAWER SLIDING WHEEL
4A 61300028	Upper bottle drop stopper
4B 61301028	Lower bottle drop stopper
5A 61300010	Coated drawer 7 spirals
5B 61360010	Coated drawer 6 spirals
6 00035004	TC+ 2,9 x 6,5 Self-tapping screw
7 00031052	D. 6 self-tapping Nut
8 61320011	POSITION PAPER EB/EM8S
9 61320021	PRICES PAPER EB/EP8/EM8S
10A 61301002	EB Drawer reclining right-hand guide
10B 61300002	EB Drawer fixed right-hand guide
11 61301026	COMPLETE SPIRALS SEPARATOR
13A 61300024	Metal product separator
13B 61301024	PLASTIC PRODUCTS SEPARATOR
13C 61302024	DOBLE PRODUCTS SEPARATOR
13D 61362024	METAL PRODUCTS SEPARATOR (6 Spirals)
14 61300017	STAINLESS BRIDGE PRODUCTS SUPPORT
15 V t	See Spiral Unit (Table I1)
16 V t	See Spiral Unit (Table I1)
17 61300008	Product conveyor spiral
18 00013003	Aluminium rivet 2,9 x 9
19 61300006	Connector support plate
20 00023062	Femal anti-extraction connector
21 00023061	Male anti-Extraction connector
22 00040065	EB connector spacer 12,5 x 8
23 00031010	Flanged nut M4
24 00035003	TC+ 4,2 x 13 Self-tapping screw
25 00032002	D.4 Washer
26 61300041	Drawers stop bracket



ETA BETA

ETA BETA - Spiral unit

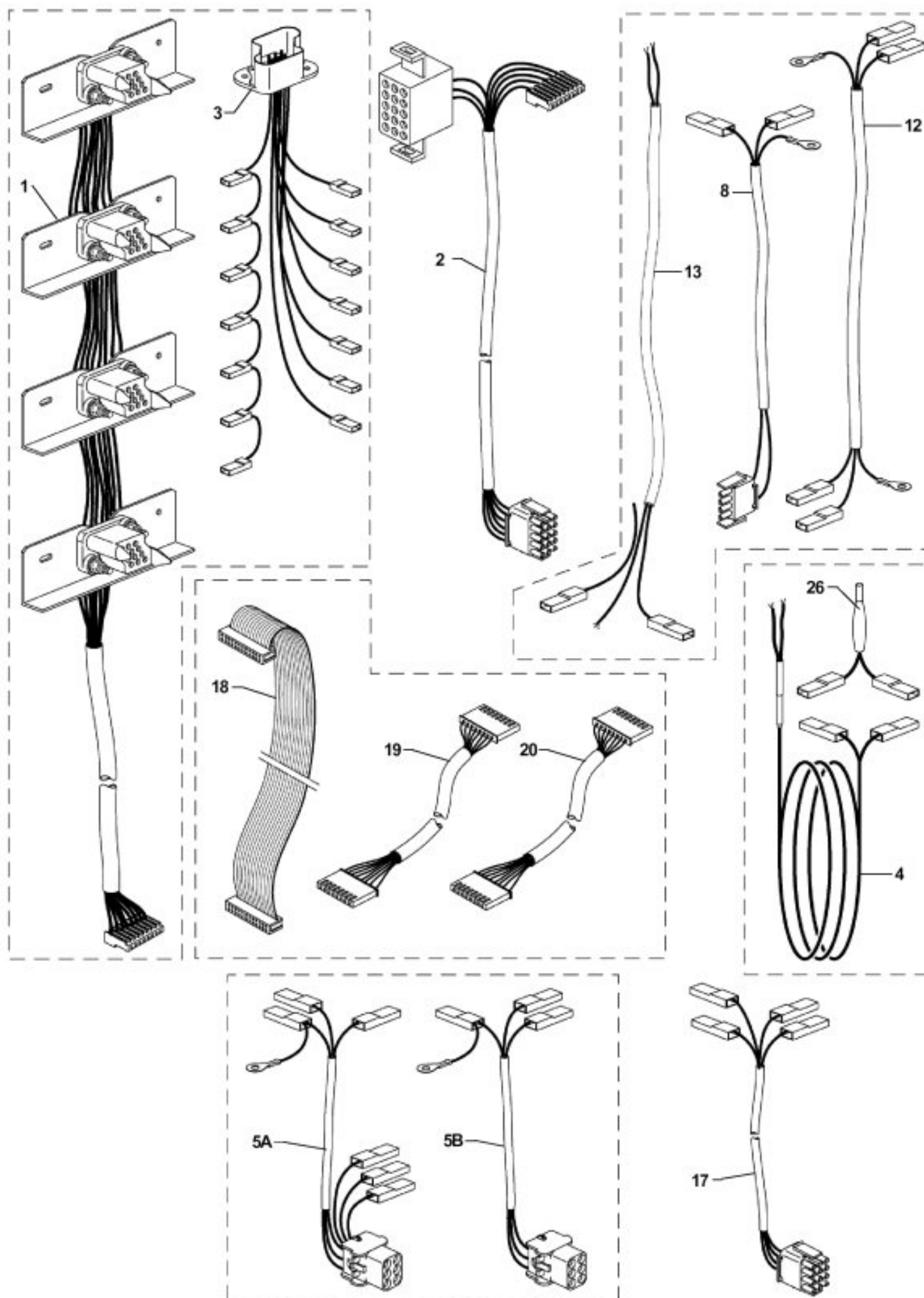
Pos. Code	Description
1A 61311024	RIGHT SPIRAL D.65 - PITCH 24 (20 PRODUCTS)
1B 61311032	RIGHT SPIRAL D.65 - PITCH 32 (15 PRODUCTS)
1C 61311045	RIGHT SPIRAL D.65 - PITCH 45 (10 PRODUCTS)
1D 61311060	RIGHT SPIRAL D.65 - PITCH 60 (8 PRODUCTS)
1F 61311079	RIGHT SPIRAL D.65 - PITCH 78,5 (6 PRODUCTS)
1G 61311091	RIGHT SPIRAL D.65 - PITCH 94 (5 PRODUCTS)
2 61300029	SPIRAL MOTOR SHAFT
3 61300012	SPIRAL ATTACHMENT RING NUT
4 61300033	SPIRAL BUSH WITHOUT GEAR
5 61300011	SPIRALS GEARMOTOR
6 61300030	SPIRAL MOTOR SHAFT SPRING
7 00034014	TCE 6 x 16 Screw
8 00035001	TC+ 2,9 x 9,5 Self-tapping screw
9A 61312024	LEFT SPIRAL D.65 - PITCH 24 (20 PRODUCTS)
9B 61312032	LEFT SPIRAL D.65 - PITCH 32 (15 PRODUCTS)
9C 61312045	LEFT SPIRAL D.65 - PITCH 45 (10 PRODUCTS)
9D 61312060	LEFT SPIRAL D.65 - PITCH 60 (8 PRODUCTS)
9F 61312079	LEFT SPIRAL D.65 - PITCH 78,5 (6 PRODUCTS)
10 61300031	SPIRAL GEAR
11 61300032	GEAR BUSH WITHOUT MOTOR
12 00035012	TAPPING SCREW TC 3,9 x 6,5 WITHOUT POINT
13 60300043	SPIRAL SHOVEL



ETA BETA

ETA BETA - Electronic cards

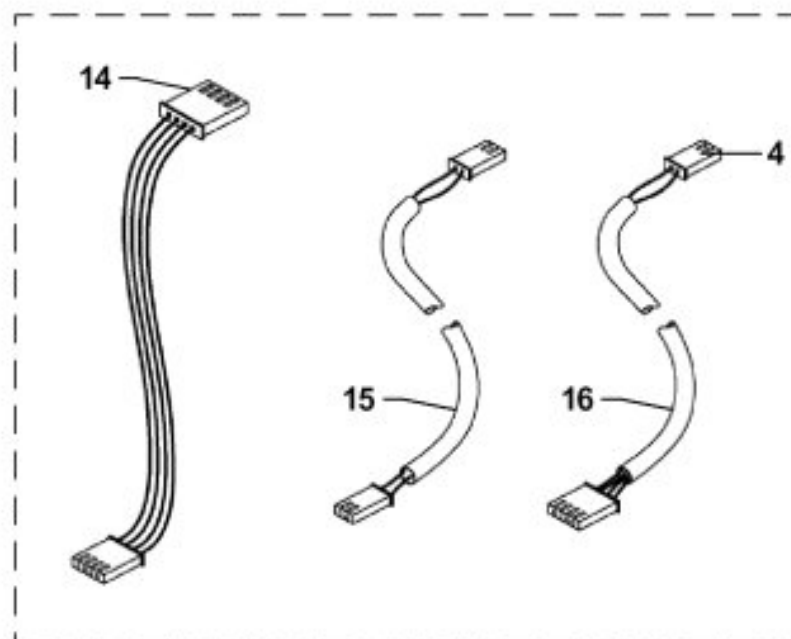
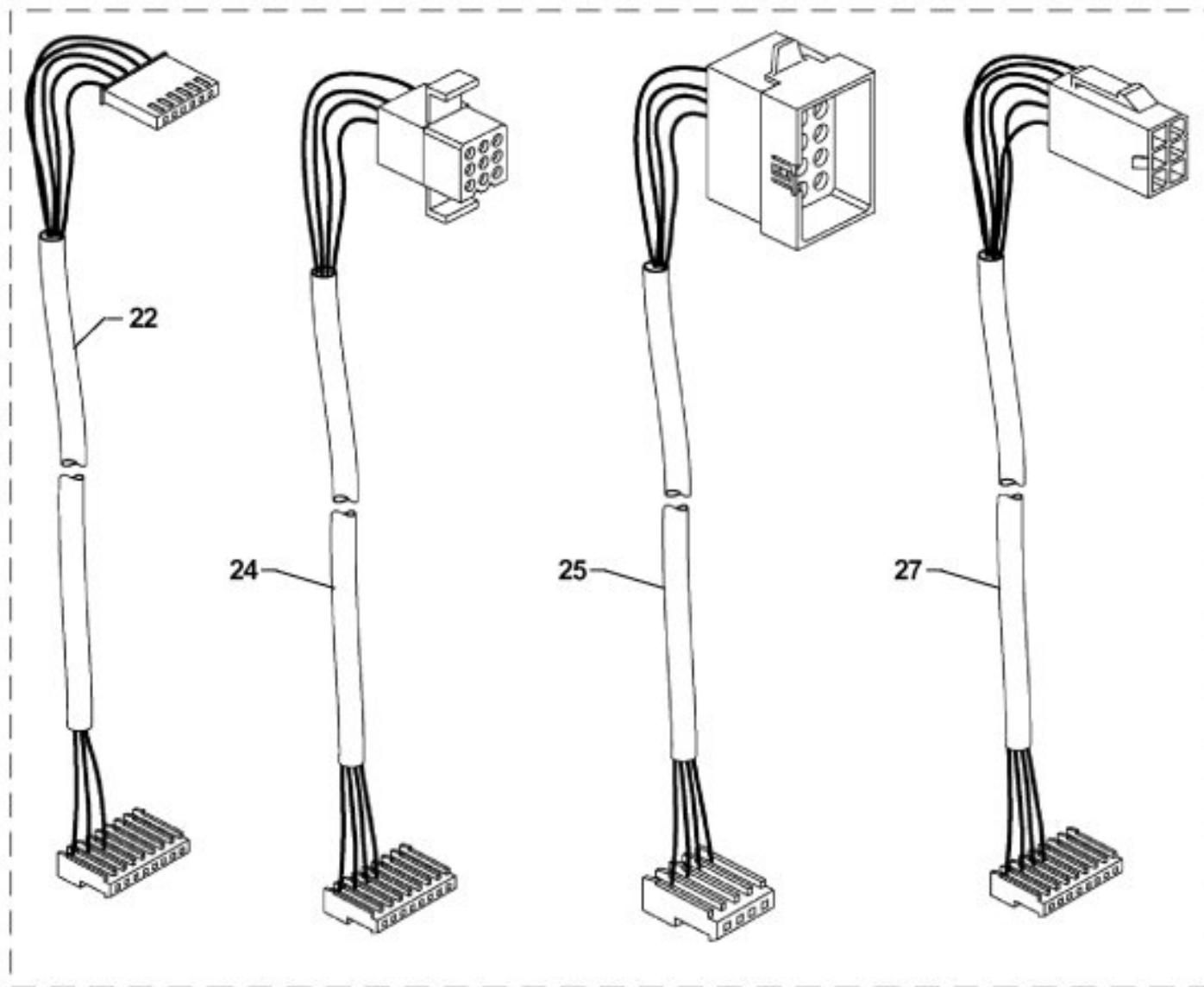
Pos.	Code	Description
1	H00120101	CPU FLASH BOARD
2	H00067005	FTCA TX BOARD
3	H00067006	FTCA RX BOARD
5A	H00061037	DISPLAY FLASH BOARD (SMALL GREEN)
5B	H00061033	DISPLAY FLASH BOARD (BIG BLUE)
6	H00067007	FTCA INTERFACE BOARD
7	H00065007	TRIAC/LIGHT BOARD
8A	00029004	Delayed fuse 5x20 T4A
8B	00029005	Delayed fuse 5x20 T2A
9	00029002	Delayed fuse 5x20 T6,3A
10	00067051	MDB multi card



ETA BETA

ETA BETA - Wiring 1

Pos.	Code	Description
1	61520001	Connection wiring for EB 7 drawers
2	61150009	EB door wiring
3	61300014	EB draw wiring
4	71140004	EB-SP wiring for probe
5A	61510011	EB fan cable
5B	61513011	EB-S fan cable
8	61150012	EB neon cable
12	61153010	EB neon wiring harness part 1 on door
13	61153011	EB neon wiring harness part 2 heads
17	75510012	Sh-EB safety switch wiring
18	00069003	EB Display flat cable
19	00069007	EB membrane keyboard LED cable
20	00069004	EB keyboard cable
26	13400011	Temperature probe for DS2 card



ETA BETA

ETA BETA - Wiring 2

Pos. Code	Description
14 65150021	IR interface card cable
15 65150022	IR transmitter cable
16 65150023	IR receiver cable
22 00067054	MDB-EB multi cable
23 61510018	EB-PRO Heating element wiring
24 14122001	Executive conn. cable
25 00067052	Multi-MDB power supply cord
27 61150016	MDB EB Single cable