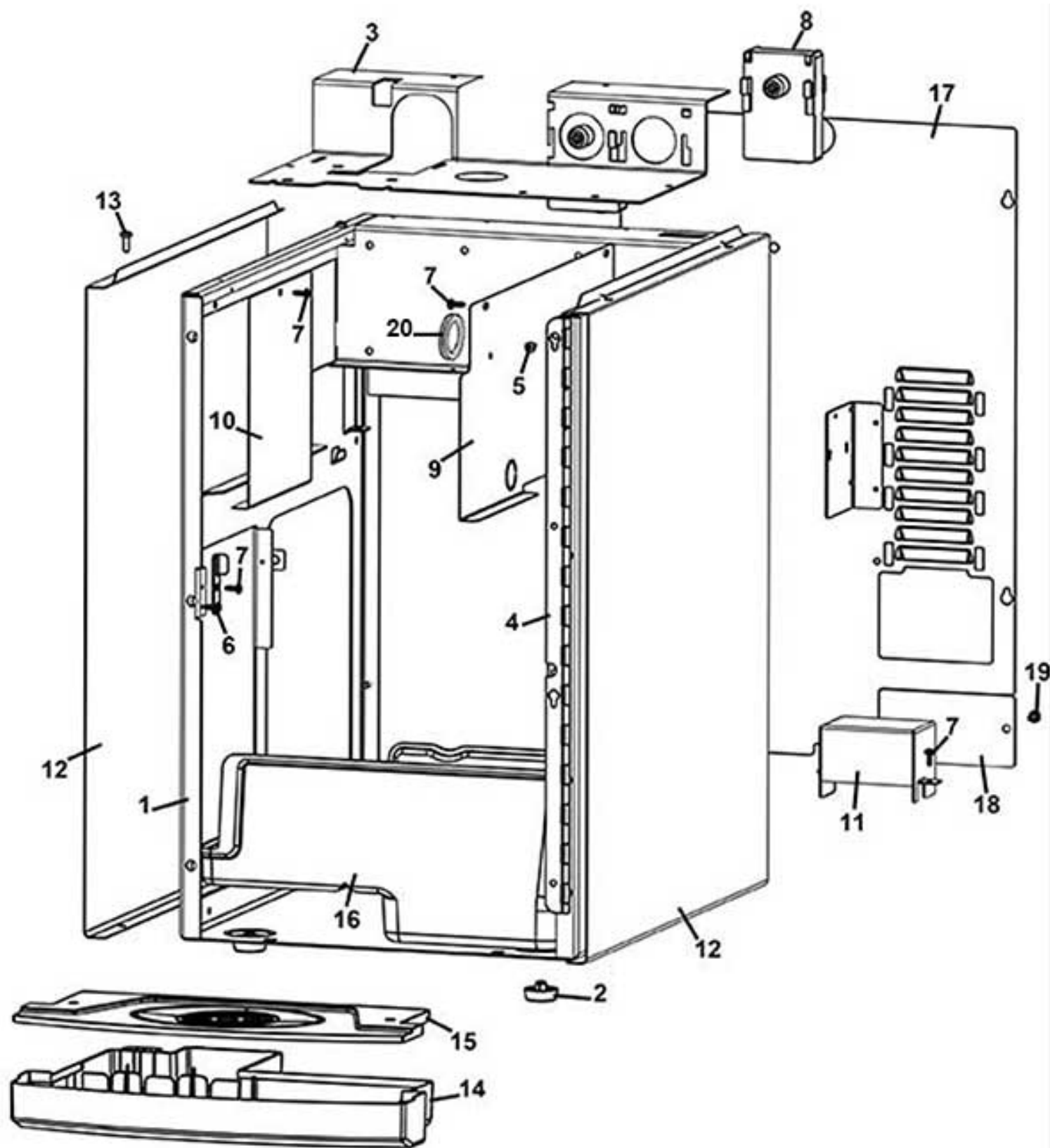


[EC E]



spare parts manual

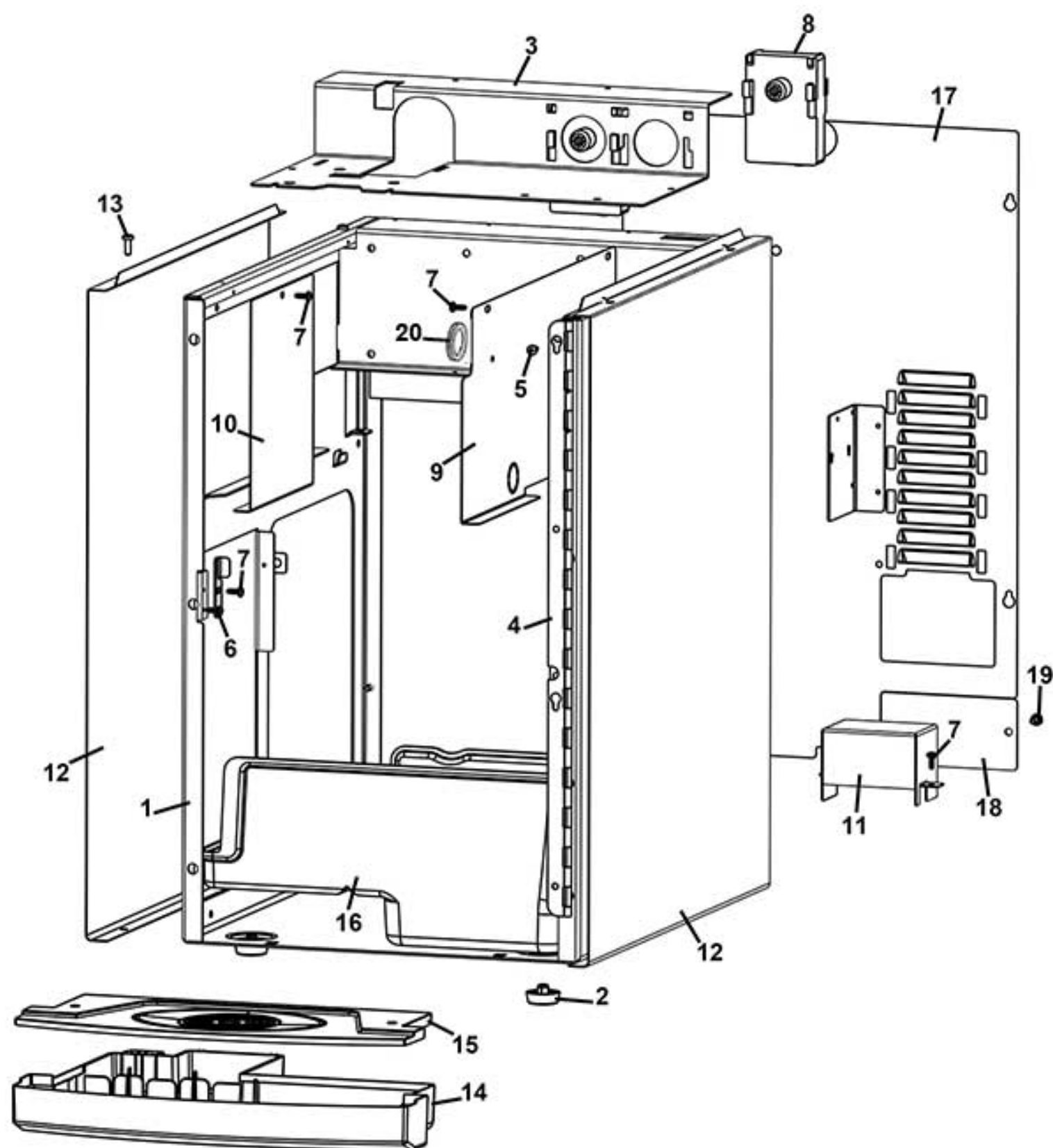


EC E

EC E - cabinet

Pos. Code	Description
1 0010028249NA-04	CABINET (BLACK)
2 GUA0011011	MACHINE FOOT D.25
3 0010028254NA	GEAR MOTOR PLATE
4 0010028153	DOOR HINGE
5 VIT0002010	SCREW ST HEAD CAP M3.5X9.5
6 0010028284	DOOR LOCK
7 VIT0002401	SCREW ST HEAD CAP M3.5X9.5
8 0090002113	MOTOR 24 DC 97 RPM
9 0010028177NA	RIGHT COVER
10 0010028244NA	LEFT COVER
11 0010028237	COVER
12 0010028243NA	RIGHT-LEFT SIDE (BLACK)
13 VIT0000012	SCREW HEAD TAP CAP M4X10
14 0010028282CL	H2O DRIP TRAY
15 0010028281CM	H2O DRIP TRAY GRID RAL 9006
16 0010028012NA	GROUNDS CONTAINER (BLACK)
17 0010028172NA	REAR COVER RAL 9005
18 0010028239-01NA	COVER
19 4060010126	PAYM SYSTEM FIXING SCREW
20 GUA0010503	ELECTRICAL GROMMET DG 29

EC E - cabinet (Plumbed version)

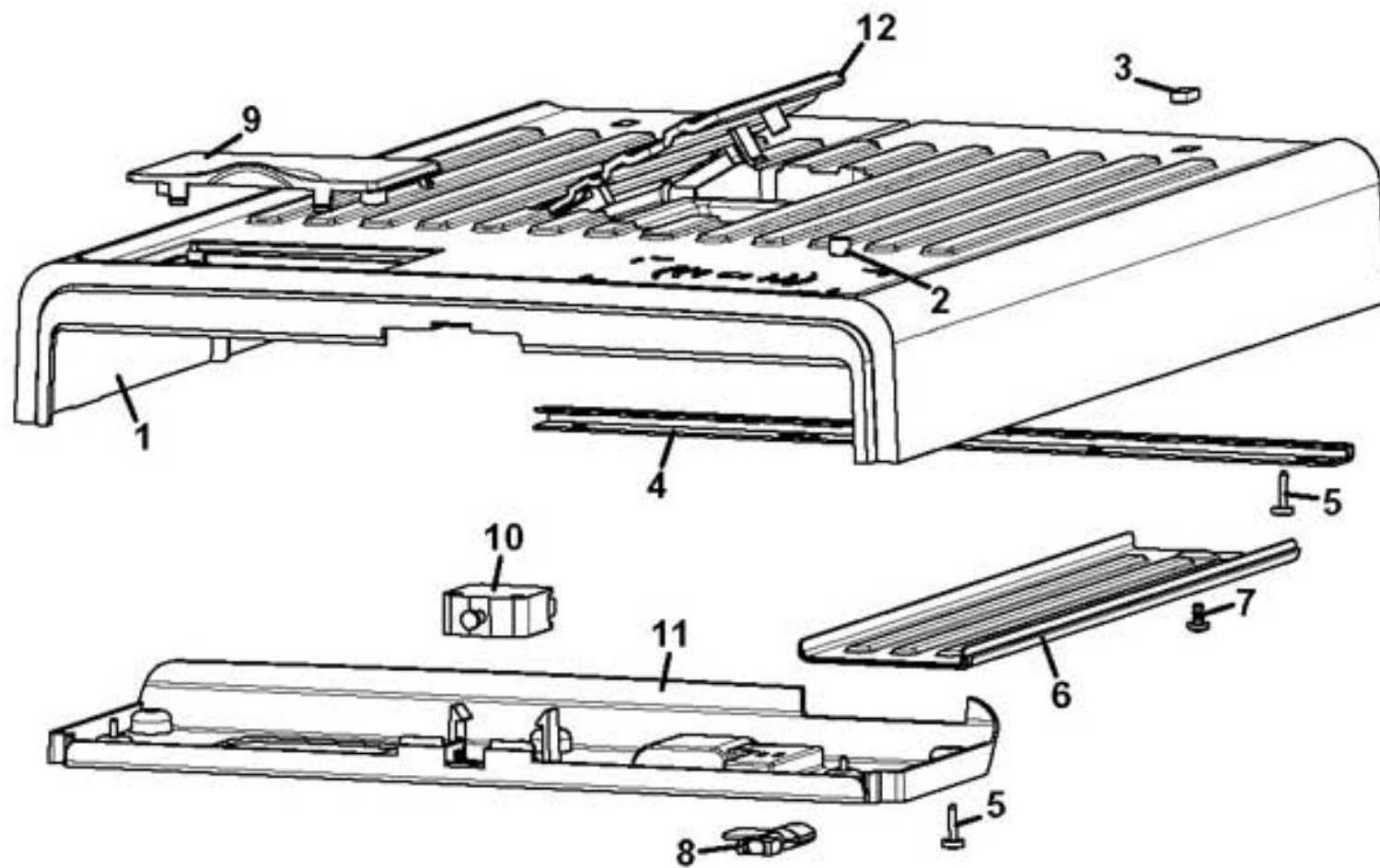


EC E

EC E - cabinet (Plumbed version)

Pos. Code	Description
1 0010028249NA-04	CABINET (BLACK)
2 GUA0011011	MACHINE FOOT D.25
3 0010028252NA	GEAR MOTOR PLATE
4 0010028153	DOOR HINGE
5 VIT0002010	SCREW ST HEAD CAP M3.5X9.5
6 0010028284	DOOR LOCK
7 VIT0002401	SCREW ST HEAD CAP M3.5X9.5
8 0090002113	MOTOR 24 DC 97 RPM
9 0010028177NA	RIGHT COVER
10 0010028244NA	LEFT COVER
11 0010028237	COVER
12 0010028243NA	RIGHT-LEFT SIDE (BLACK)
13 VIT0000012	SCREW HEAD TAP CAP M4X10
14 0010028282CL	H2O DRIP TRAY
15 0010028281CM	H2O DRIP TRAY GRID RAL 9006
16 0010028012NA	GROUNDS CONTAINER (BLACK)
17 0010028172NA	REAR COVER RAL 9005
18 0010028239-01NA	COVER
19 4060010126	PAYM SYSTEM FIXING SCREW
20 GUA0010503	ELECTRICAL GROMMET DG 29

EC E - UPPER COVER

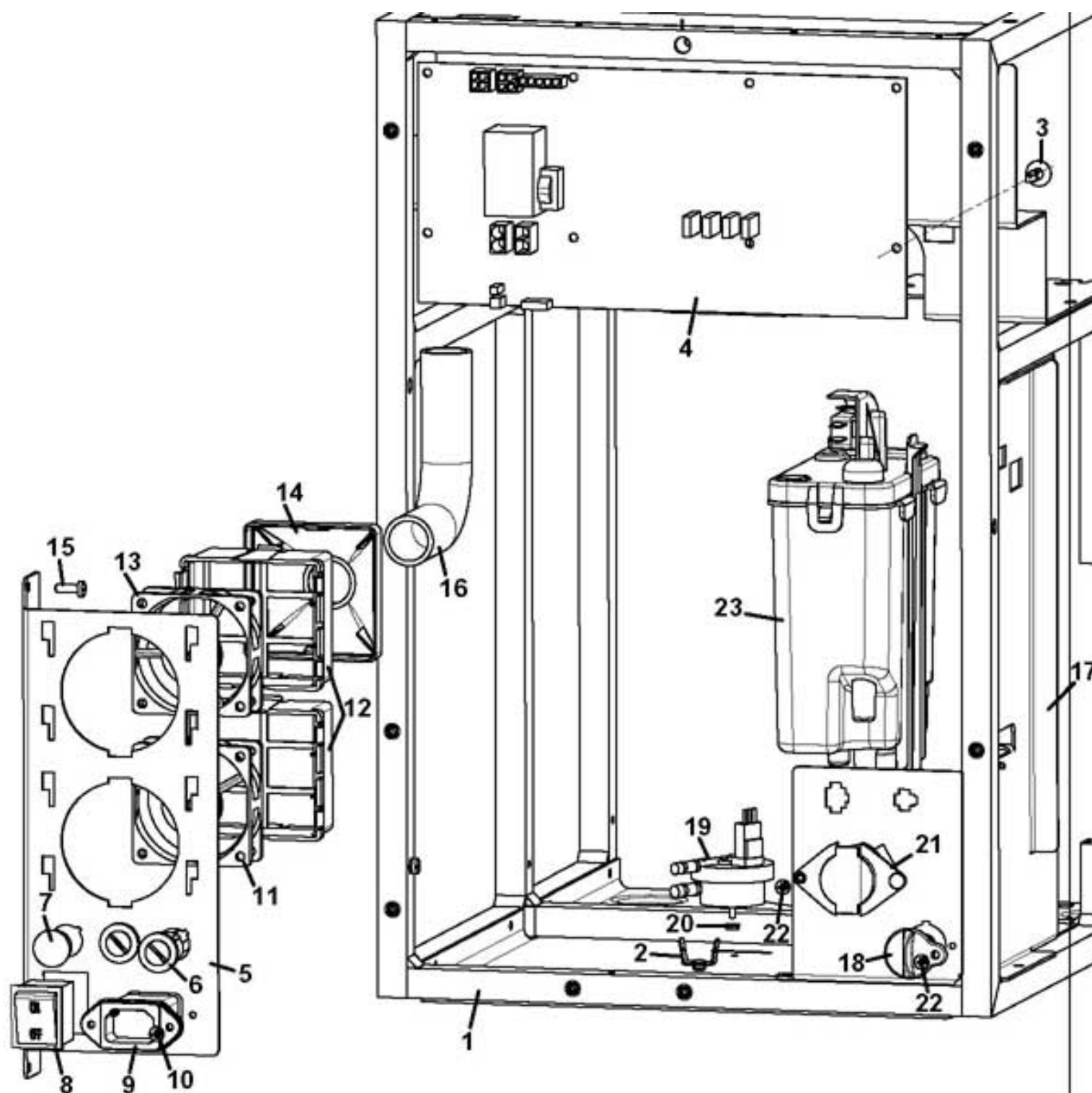


EC E

EC E - UPPER COVER

Pos. Code	Description
1 0010028276CM	UPPER COVER RAL 9006
2 0010027344	RING PLUG
3 0010027343	PLUG SUPPORT COVER
4 0010028158	UPPER HINGE LID
5 VIT0002469	SCREW HEAD TAP M3.5X10
6 0010028280CG	CABLE COVER 7035
7 VIT0002009	SCREW ST HEAD CAP M3.5X6.5
8 0270011109IC	SERVICE KEY RAL2011
9 0010028279CM	DEKA LID RAL 9006
10 ELE0002019	SWITCH 16A 250V
11 0010028277CG	UPPER COVER CLOSING RAL 7035
12 0010028283CM	WATER INLET DOOR (MERCEDES GREY RAL 9006)

EC E - rear cabinet (Unplumbed version)

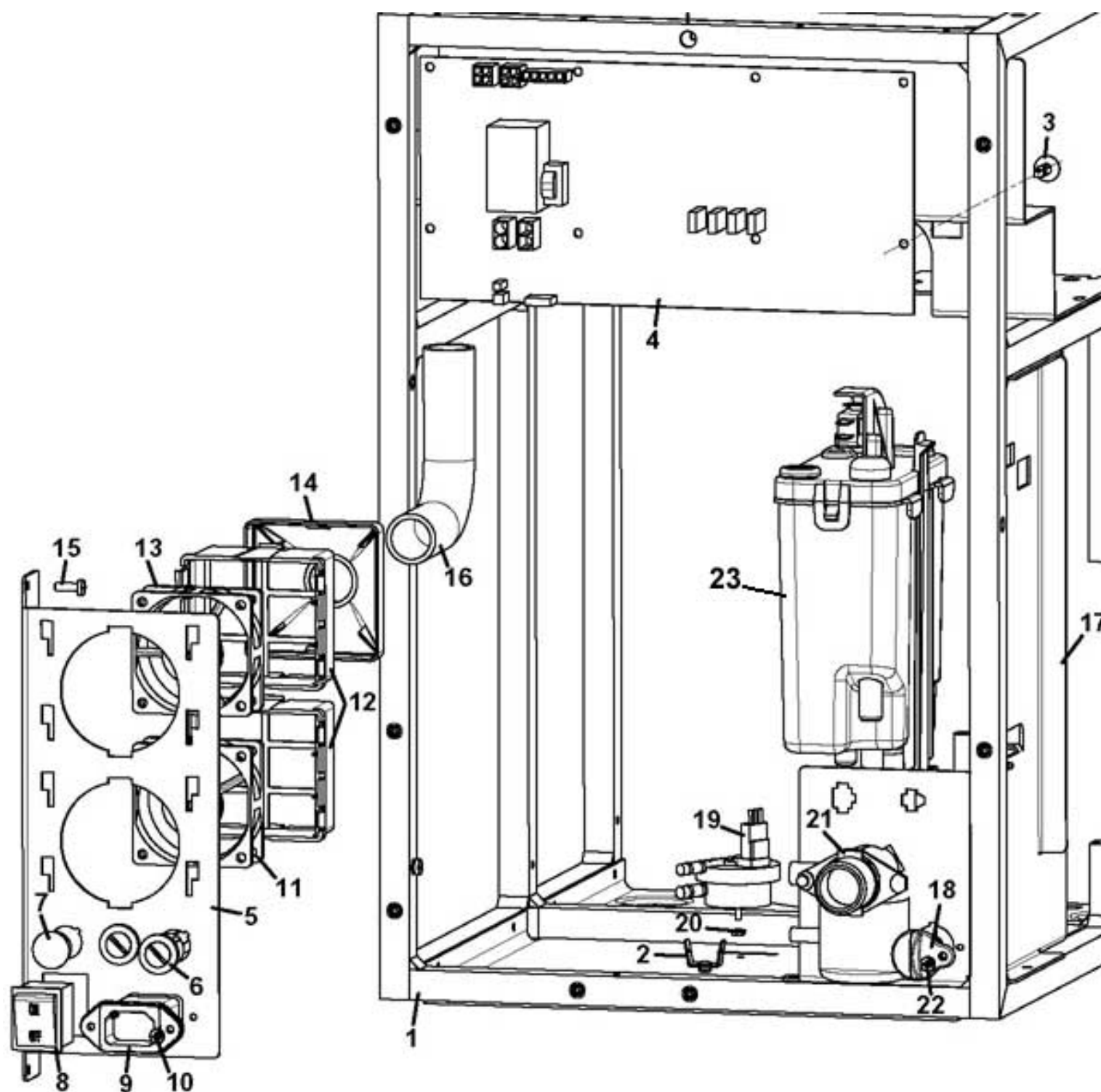


EC E

EC E - rear cabinet (Unplumbed version)

Pos. Code	Description
1 0010028249NA-04	CABINET (BLACK)
2 ELE0060520	GROUND PIN
3 ELE0062020	BOARD SUPPORT
4 SCH0008964	CPU/POWER BOARD
5 0130013061	ELECTRIC COMPONENT SUPP.
6 ELE0003508CL	FUSE HOLDER
7 GUA0011010	PLUG
8 ELE0002014CL3	BIPOLAR SWITCH 15A 250V
9 ELE0002315	MAINS SOCKET 115/250V 10A
10 VIT0002010	SCREW ST HEAD CAP M3.5X9.5
11 ELE0000462	FAN 24V DC-LOW SPEED
12 0010027064	FAN SUPPORT
13 ELE0000461	FAN 24V DC-HIGH SPEED
14 0010027065	FAN CONNECTOR
15 VIT0002401	SCREW ST HEAD CAP M3.5X9.5
16 TEOL000001CL1	EXTRACTOR TUBE D.20 144MM
17 0010028248	HYDRAULIC HOLDER
18 0600016455	H2O OUTLET PLUG
19 0110007003	VOLUMETRIC COUNTER
20 VIT0004701	NUT M3
21 0010020839	INLET H2O VALVE PLUG
22 VIT0002009	SCREW ST HEAD CAP M3.5X6.5
23	See table water inlet panel

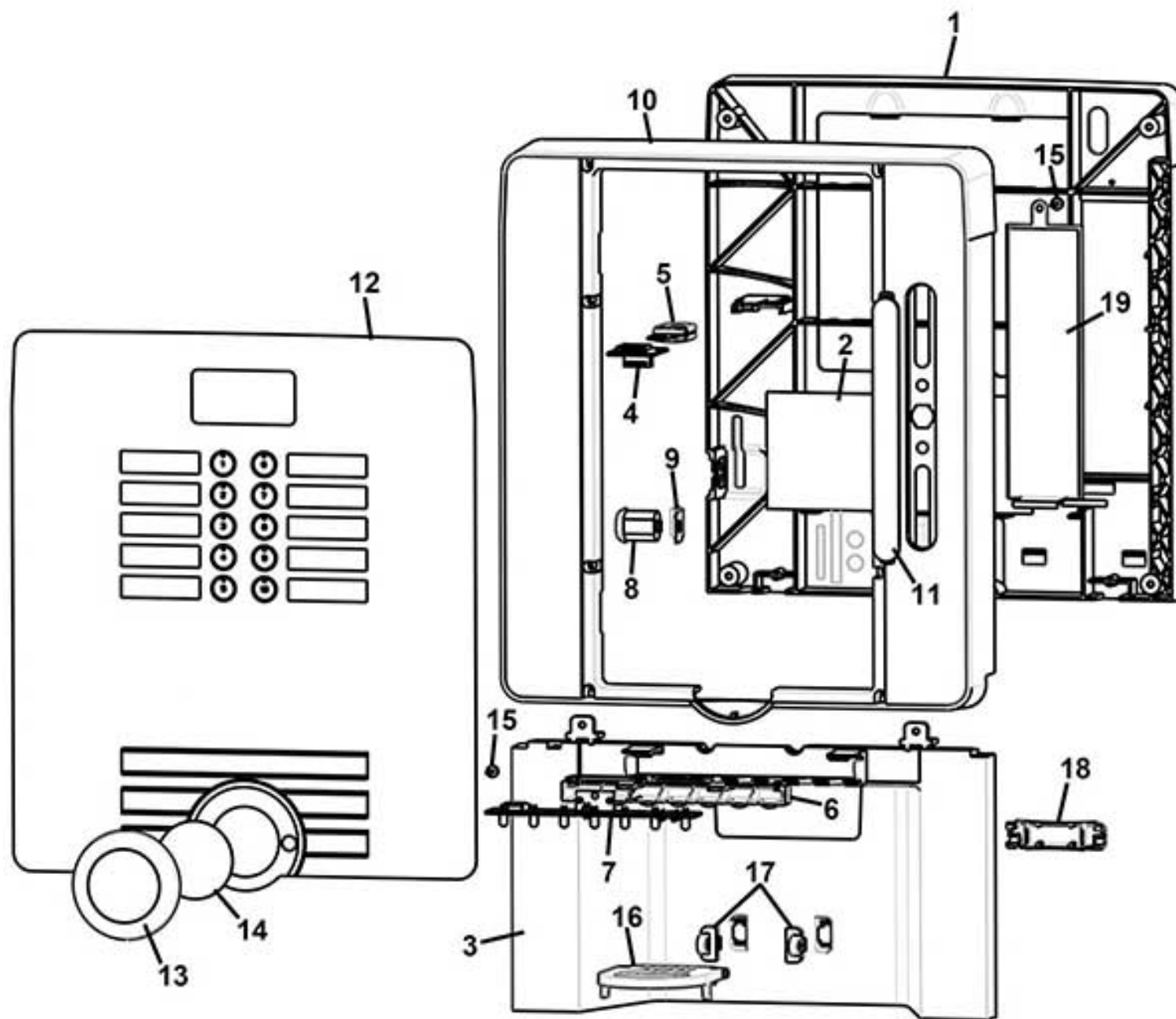
EC E - rear cabinet (Plumbed version)



EC E

EC E - rear cabinet (Plumbed version)

Pos. Code	Description
1 0010028249NA-04	CABINET (BLACK)
2 ELE0060520	GROUND PIN
3 ELE0062020	BOARD SUPPORT
4 SCH0008964	CPU/POWER BOARD
5 0130013061	ELECTRIC COMPONENT SUPP.
6 ELE0003508CL	FUSE HOLDER
7 GUA0011010	PLUG
8 ELE0002014CL3	BIPOLAR SWITCH 15A 250V
9 ELE0002315	MAINS SOCKET 115/250V 10A
10 VIT0002010	SCREW ST HEAD CAP M3.5X9.5
11 ELE0000462	FAN 24V DC-LOW SPEED
12 0010027064	FAN SUPPORT
13 ELE0000461	FAN 24V DC-HIGH SPEED
14 0010027065	FAN CONNECTOR
15 VIT0002401	SCREW ST HEAD CAP M3.5X9.5
16 TEOL000001CL1	EXTRACTOR TUBE D.20 144MM
17 0010028248	HYDRAULIC HOLDER
18 0600016455	H2O OUTLET PLUG
19 0110007003	VOLUMETRIC COUNTER
20 VIT0004701	NUT M3
21 0110001058	WATER INLET VALVE 24V DC
22 VIT0002009	SCREW ST HEAD CAP M3.5X6.5
23	See table water inlet panel

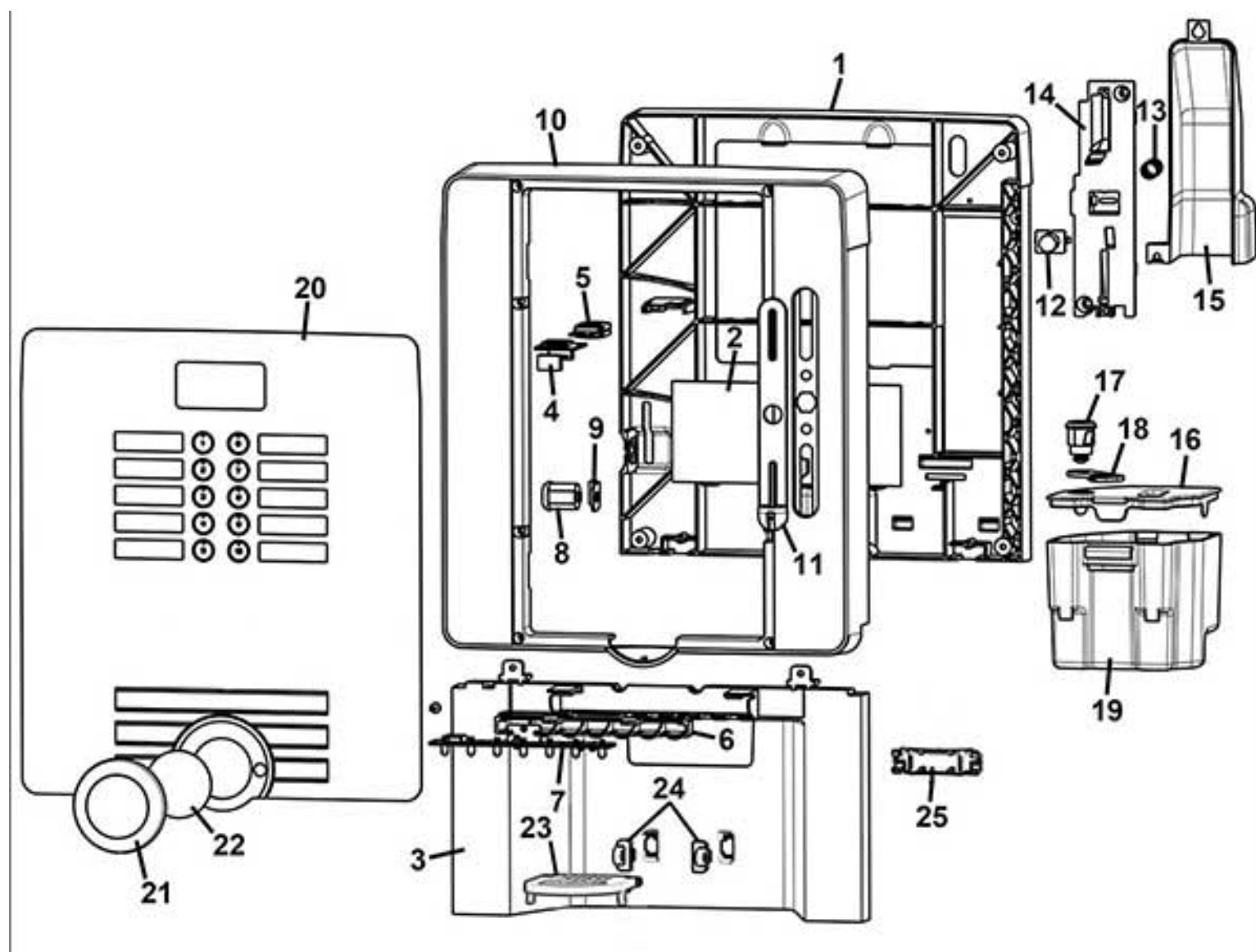


EC E

EC E - door

Pos. Code	Description
1 0020037657NA	DOOR
2 0020037659	LED REFLECTING ADHESIVE LABEL
3 0020037652CM	CUPS STATION FRAME RAL9006
4 SCH0005860	FLASH BOARD
5 0020040310CL	Å§ FLASH MEMORY
6 0020039078TR	CUP STAT.ENLIGHTENMENT SUPPORT
7 SCH0008144	LIGHTING CUP STATION BOARD
8 SER0000028/1	LOCK-STAINLESS STEEL + KEY 3480
9 0010028157	LOCK PLATE
10 0020037653CM	DOOR FRAME RAL9006
11 0020039416	COIN ENTRY BLANK PLATE
12/a 1030000194	GRAP.PANEL NEW FF WHITE
12/b 1030000195	GRAP.PANEL NEW FF BLACK
13 0020039084CL	Å§ DOOR LOGO FRAME
14 1030000188	ADHESIVE LOGO
15 VIT0002469	SCREW HEAD TAP M3.5X10
16/a 0020039072TR-02	CUP SUPPORT (TRANSPARENT)
16/b 0020039072NA-02	CUP SUPPORT BLACK
17/a 0020039073CM	CUP SUPPORT PIN RAL9006
17/b 0020037073NA	
18 0020039087IC	CUP SUPPORT STOPPER
19 0020037661NA	PAY SYSTEM PLUG

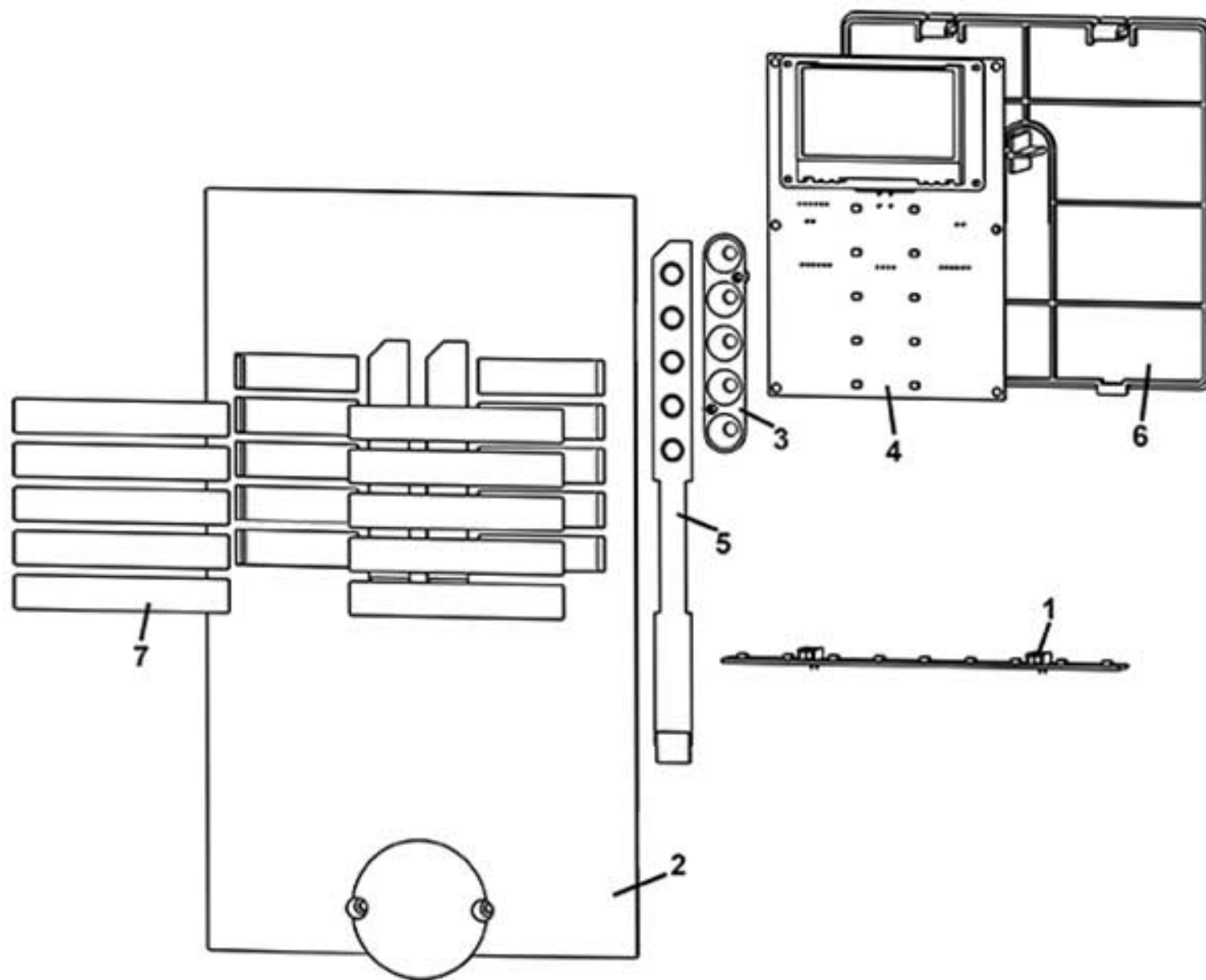
EC E - COIN BOX MECHANISM DOOR



EC E

EC E - COIN BOX MECHANISM DOOR

Pos. Code	Description
1	0020037657NA DOOR
2	0020037659 LED REFLECTING ADHESIVE LABEL
3	0020037652CM CUPS STATION FRAME RAL9006
4	SCH0005860 FLASH BOARD
5	0020040310CL Å§ FLASH MEMORY
6	0020039078TR CUP STAT.ENLIGHTENMENT SUPPORT
7	SCH0008144 LIGHTING CUP STATION BOARD
8	SER0000028/1 LOCK-STAINLESS STEEL + KEY 3480
9	0010028157 LOCK PLATE
10	0020037653CM DOOR FRAME RAL9006
11/a	0020035031CM COIN ENTRY PLATE RAL9006
11/b	0020035031NA COIN ENTRY PLATE BLACK
12/a	0020035033CM COIN RETURN BUTTON RAL9006
12/b	0020035033NA COIN RETURN BUTTON BLACK
13	0020035034 COIN RETURN BUTTON SPRING
14	0020035032NA PAYM SYSTEM SUPPORT
15	0020037656NA PAY. SYSTEM COVER
16	0030010212NA
17	SER0000015 LOCK MM20 +KEY 3430
18	0020037128 COIN BOX HOOK
19	0030010211NA COINS BOX
20/a	1030000196 GRAP.PANEL NEW FF WHITE WITH COINS MECH.
20/b	1030000197 GRAP.PANEL NEW FF BLACK WITH COINS MECH.
21	0020039084CL Å§ DOOR LOGO FRAME
22	1030000188 ADHESIVE LOGO
23/a	0020039072TR-02 CUP SUPPORT (TRANSPARENT)
23/b	0020039072NA-02 CUP SUPPORT BLACK
24/a	0020039073CM CUP SUPPORT PIN RAL9006
24/b	0020039073NA CUP SUPPORT PIN BLACK
25	0020039087IC CUP SUPPORT STOPPER
100	D1019600A0000 KIT WITHOUT COIN MECH. WITH COINS BOX (MERCEDES GREY RAL 9006) From pos. 11 to pos. 19 (excluded pos. 11/b and 12/b)
101	D1019600A1000 KIT WITHOUT COIN MECH. WITH COINS BOX (BLACK) From pos. 11 to pos. 19 (excluded pos. 11/a and 12/a)

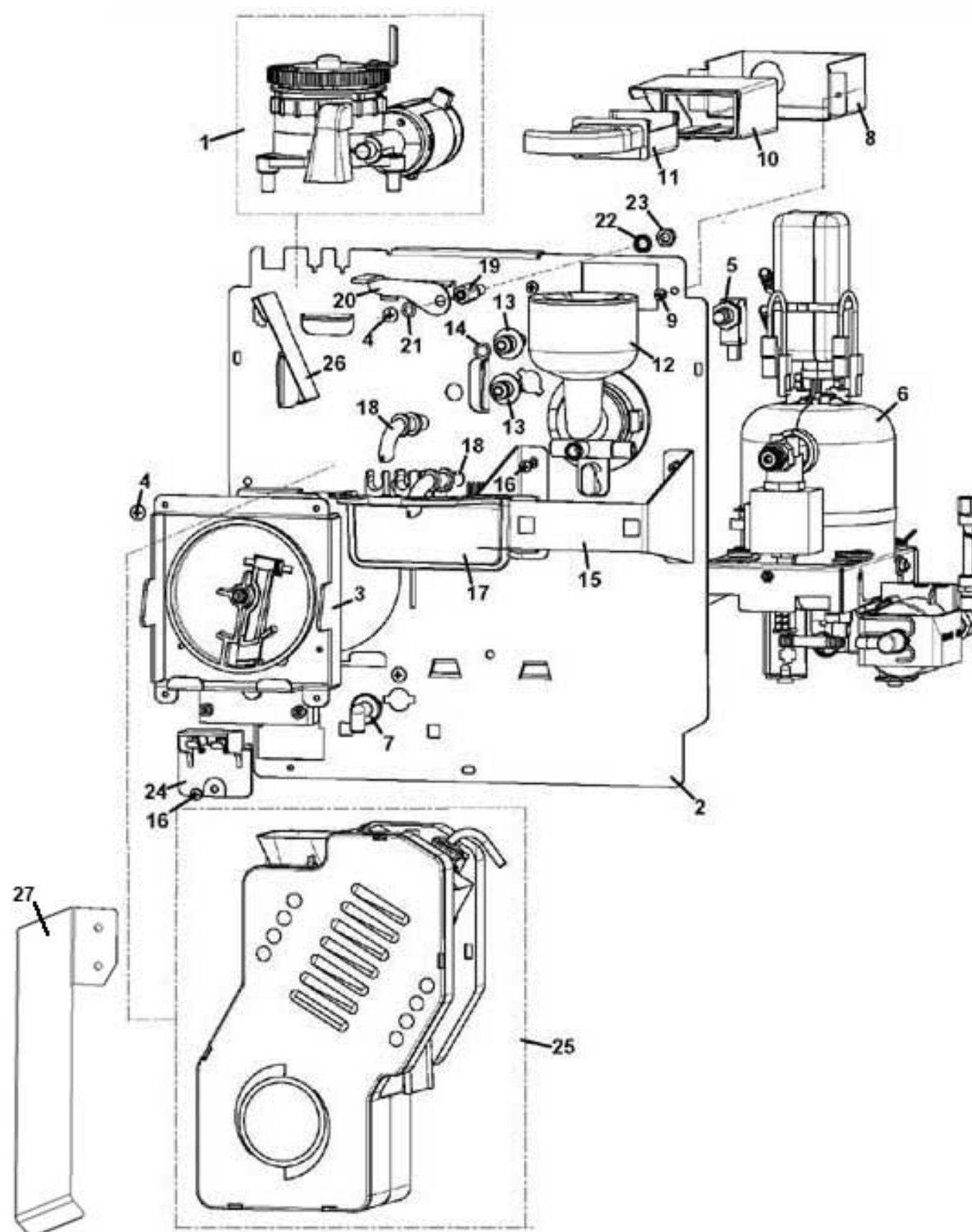


EC E

EC E - LIGHTING GLASS

Pos. Code	Description
1 SCH0008160	LIGHTING BOARD
2 0020037654TR	PLEXIGLASS GRAPHIC PANEL
3 0020039079NA	GUIDE
4 SCH0008980CL	Å§ DISPLAY BOARD 128X64
5 ELE0000470	KEYPAD 5 BUTTONS-RIGHT
6 0020037655IC	DOOR COVERRAL2011
7	Communicate the serial number of the machine during the order

EC E - mixer plan (espresso version)

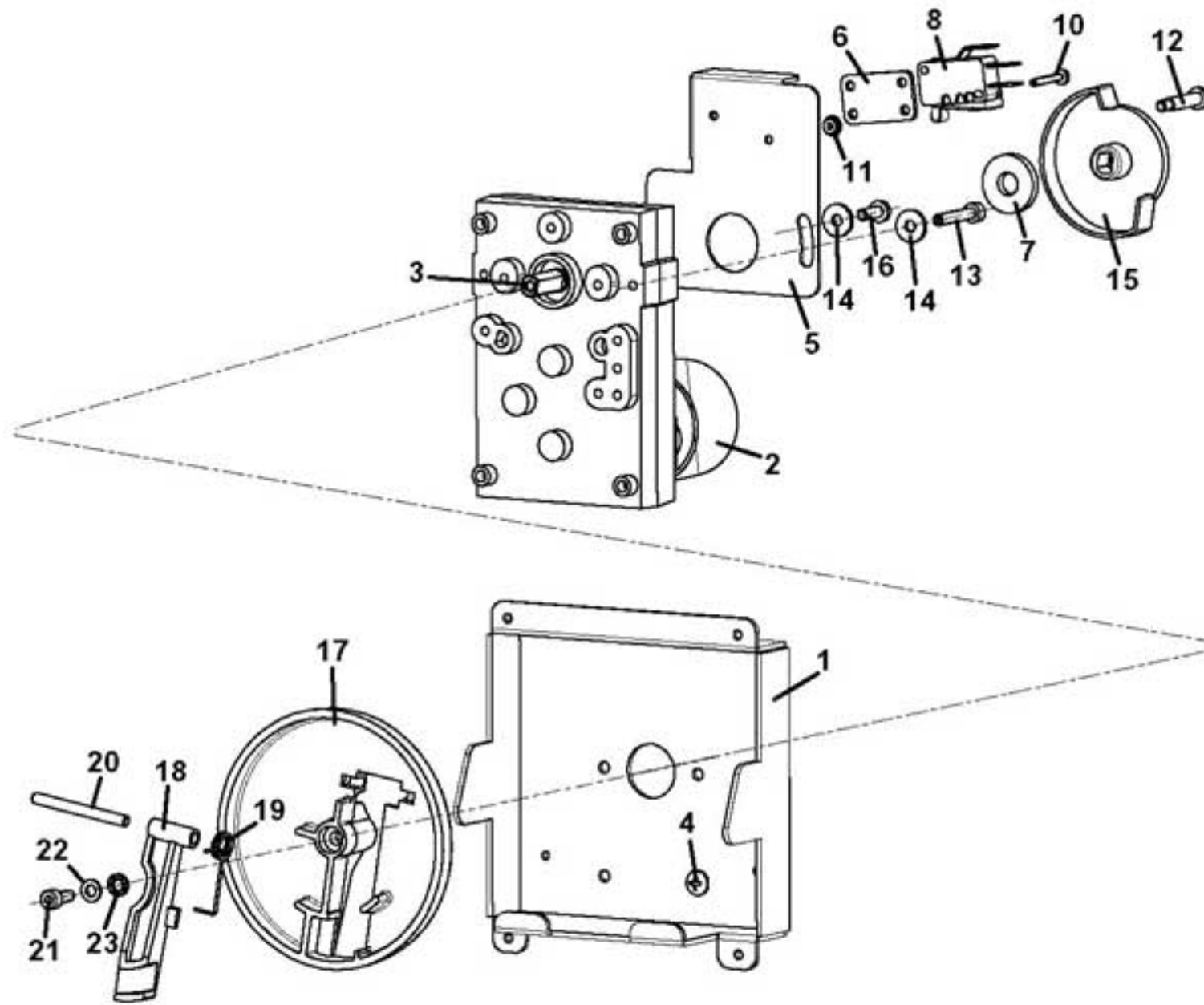


EC E

EC E - mixer plan (espresso version)

Pos. Code	Description
1	See table GRINDER
2 0260012311NA	BREWER MOUNTING PLATE BLACK
3	See table micro coffee group motor support
4 VIT0000030	SCREW HEAD TAP CAP M4X7
5 ELE0001506	MICROSWITCH
6	See table ESPRESSO boiler support
7 0080100084	90° CONNECTOR
8 0070030422	TRAP SUPPORT I3
9 VIT0002002	SCREW ST HEAD CAP M3.5X6.5
10 0010027214	TRAP DRAWER
11 0010027022	TRAP DRAWER REMOVABLE
12	See table mixer
13 0080100013	MIXER CONNECTOR
14 GUA0000085	OR 106 SILICON
15 0380020003NA-02	NOZZLES HOLDER
16 VIT0002010	SCREW ST HEAD CAP M3.5X9.5
17 0380020001CM	NOZZLES HOLDER
18 0010020052	PRODUCT NOZZLE
19 0010020196	BREWER FIX LEVER
20 0010020132	FIXING PLATE
21 GUA0000004	OR 104
22 VIT0003105	SPRING WASHER 6,4
23 VIT0004505	NUT M6
24 0010020836CL	Å§ DRIP TRAY SENSOR SUPPORT
25	See table micro coffee group
26 0250008038	COFFEE POWDER CHUTE
27 0010028223NA	EPRESSO BREWER PROTECTION (BLACK)

EC E - micro coffee group motor support

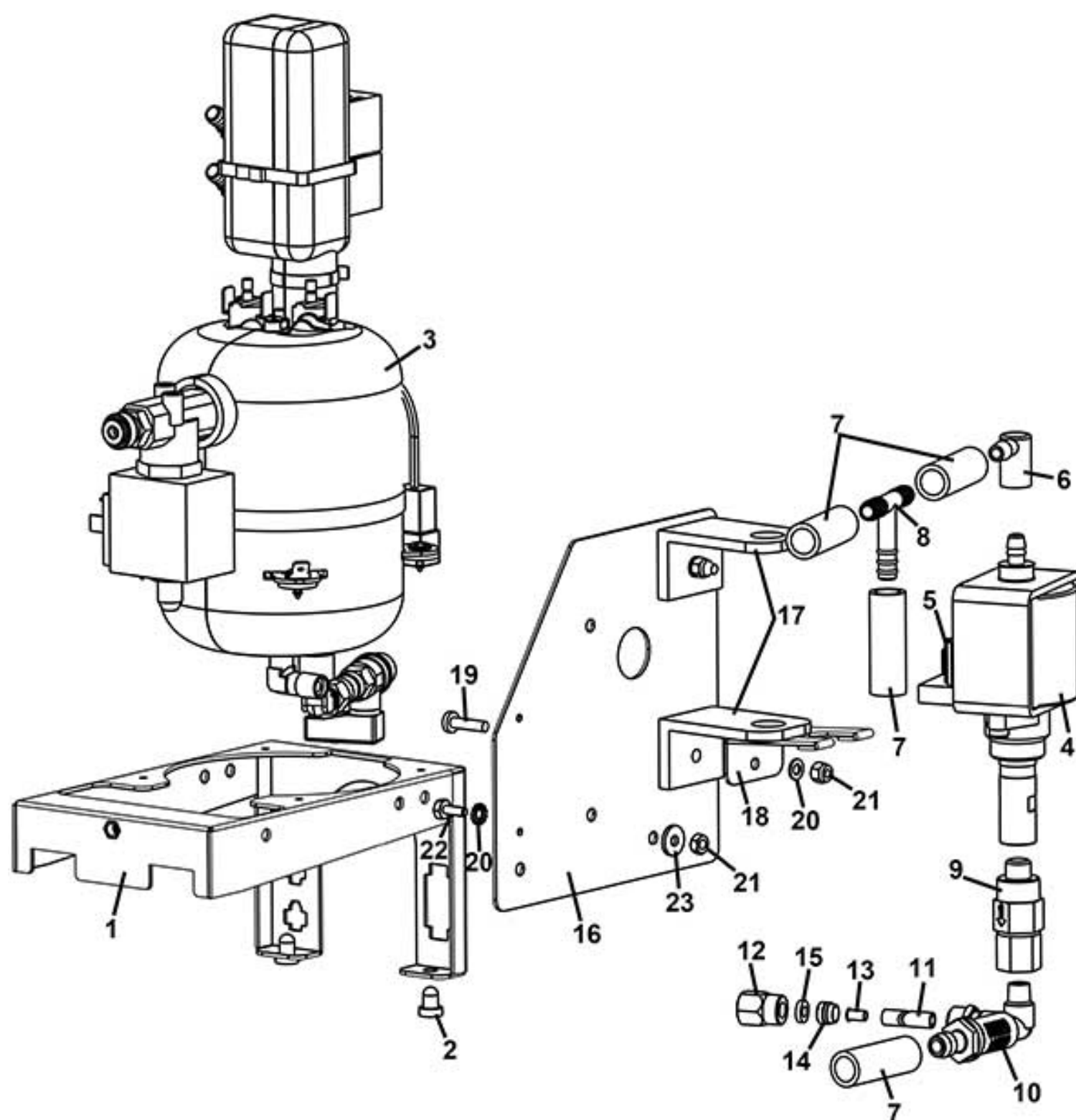


EC E

EC E - micro coffee group motor support

Pos. Code	Description
1 0260010128	MICRO BREWER MOTOR SUPPORT
2 0090002191	MOTOR 24 DC 11 RPM
3 0090002181	BREWER MICRO SHAFT
4 VIT0000030	SCREW HEAD TAP CAP M4X7
5 0250008093	MICRO PLATE
6 4600010014	SPACER
7 0250008091	SPACER
8 ELE0001529	MICROSWITCH WITH LEVER
10 VIT0000007	SCREW HEAD TAP CAP M3X20
11 VIT0004701	NUT M3
12 0250008126	PIN M4
13 VIT0005521	SCREW HEX HEAD REC TAP M4X25
14 VIT0003301	WASHER 4,3X12X1,5
15 0250008043	MICRO GROUP READER DISK
16 VIT0000012	SCREW HEAD TAP CAP M4X10
17 0250008012	MOTOR CRANK
18 0250008034	HOOKING LEVER
19 0250008059	SPRING
20 VIT0005205	DOWEL PIN 4X40
21 VIT0005508	SCREW HEX HEAD REC TAP M4X12
22 VIT0003003	WASHER 4,3X8X0,8
23 VIT0003103	SPRING WASHER 4,3

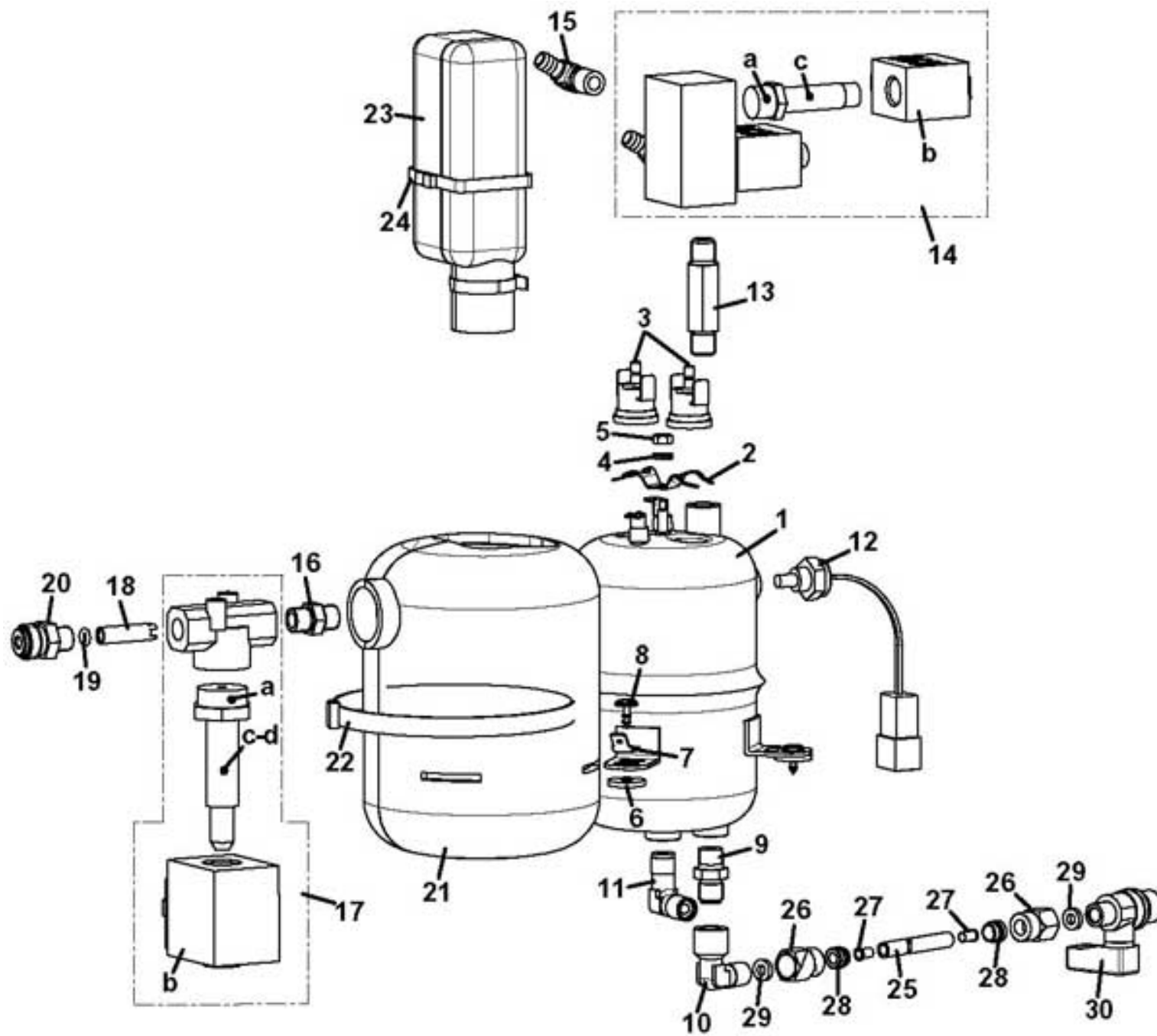
EC E - ESPRESSO boiler support



EC E

EC E - ESPRESSO boiler support

Pos. Code	Description
1 0600019720NA	INOX BOILER SUPPORT
2 0020018061	SELECTION BUTTON PLUG
3	See table micro group boiler
4 0110004041	PUMP EX5 230V-50HZ
5 ELE0000915	PUMP THERMOPROTECTOR
6 0110004023	CONNECTOR
7 TSIL05/08T	SILICON HOSE 5X8
8 0100003022	T CONNECTOR 461 TS
9 0110002012R	AŞ CHECK VALVE I:1/8M O:1/8F
10/a 0110004070	BY PASS VALVE 11 BAR
10/b 0110004060	BY PASS VALVE 8 BAR
11 TTEF04/06T	PTFE PIPE 4X6
12 0100001002	CONNECTOR NUT
13 0100002005	NUT D.4
14 0100002002	LOCKING RING SO1-6
15 0100003002	COPPER GASKET SO5-5-1/8
16 0010028234-03	PUMP SUPPORT
17 0110004022	SUPPORT
18 0010027223	PUMP SUPPORT BRACKET
19 VIT0000014	SCREW HEAD TAP CAP M4X16
20 VIT0003103	SPRING WASHER 4,3
21 VIT0004503	NUT M4
22 VIT0000205	SCREW HEX HEAD M4X10
23 VIT0003301	WASHER 4,3X12X1,5

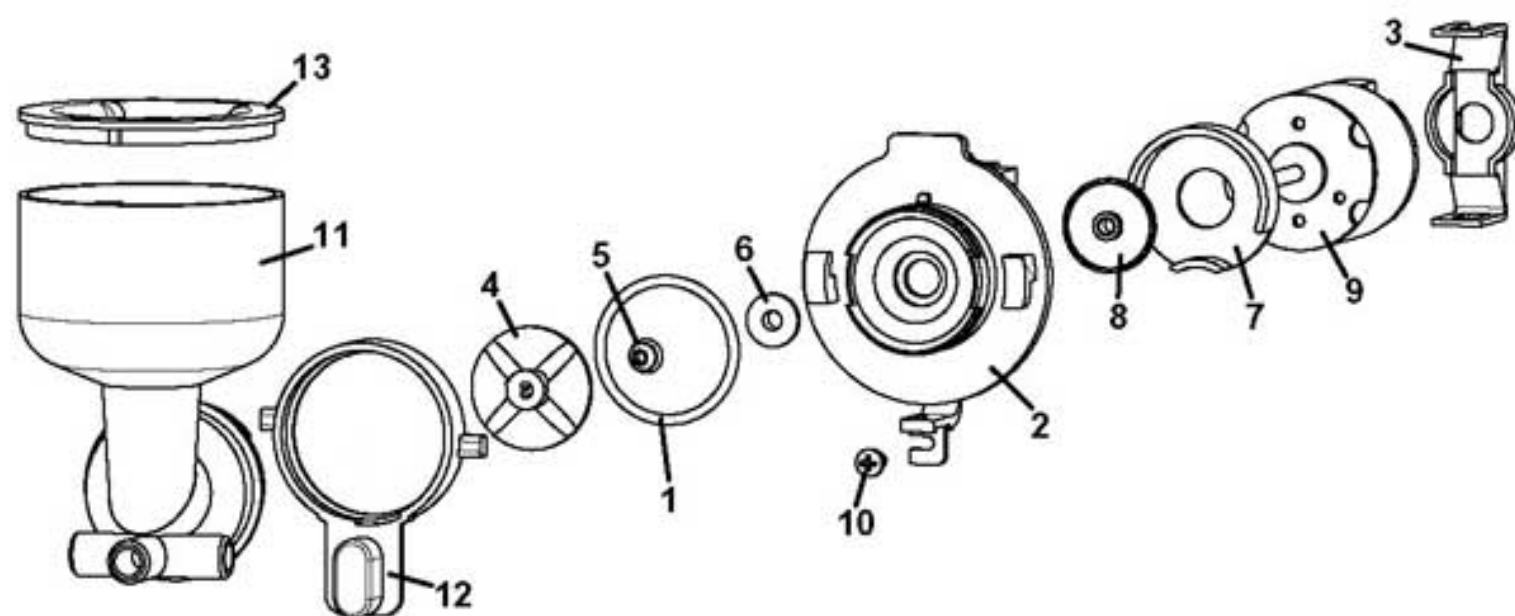


EC E

EC E - micro group boiler

Pos. Code	Description
1 0600019701CL	Å§ BOILER 1500 W 230V 400 CC
2 0600019188	THERMOSTAT CLIP
3 ELE0000982	CLIXSON 120Å°
4 VIT0003109	SPRING WASHER 4,3
5 VIT0004816	NUT M4
6 1600001098	RUBBER SPACER D. 4,5
7 0600019012	GROUND WIRING
8 VIT0002401	SCREW ST HEAD CAP M3.5X9.5
9 0100001017	STRAIGHT CONNECT SO1100-6-1/8
10 0100001085	ELBOW CONNECTOR
11 0100001019	ELBOW CONNECTOR SO2400-6-1/8
12 ELE0000975	PROBE
13 0600012658	BOILER STRAIGHT CONNECTOR
14 0110001111	VALVE BLOCK 2V 2W 24V DC 7W
14/a 0110010138	SLEEVE (D.13,9+WHITE OR)
14/a 0110010148	SLEEVE (D.14,9+GREEN OR)
14/b 0110010135	COIL 7W 24V DC
14/c 0110010136	CORE+SPRING
15 0100001102	CONNECTOR 1/8"-Å~7,2 90Å°
16 0100001084	NIPPLE 1/8
17_1 0110001112	VALVE 3W 1/8 24V DC
17_1/a 0110010142	SLEEVE
17_1/b 0110010141	COIL 24V DC
17_1/c 0110010144	CORE+SPRING
17_1/d 0110010146	SPRING
17_2 0110001072	VALVE 3W 1/8 24DC O
17_2/a 0110010035	VALVE 3W SLEEVE
17_2/b 0110010065	COIL 8 W 24 DC
17_2/c 0110010020	Å§ CORE
18 0110003122	SPACER OR
19 GUA0000069	OR 2015 VITON
20 0110003121	STRAIGHT CONNECTOR
21 0600019195	INSULATION SHELL
22 FASC000214	PLASTIC CLIP BLACK 7,8X365
23 0600019197	EV HOUSING INSULATION
24 FASC000215	PLASTIC CLIP BLACK 2,6X200
25 TTEF04/06T	PTFE PIPE 4X6
26 0100001002	CONNECTOR NUT
27 0100002005	NUT D.4
28 0100002002	LOCKING RING SO1-6
29 0100003002	COPPER GASKET SO5-5-1/8
30 0600019017	TAP M/F 1/8

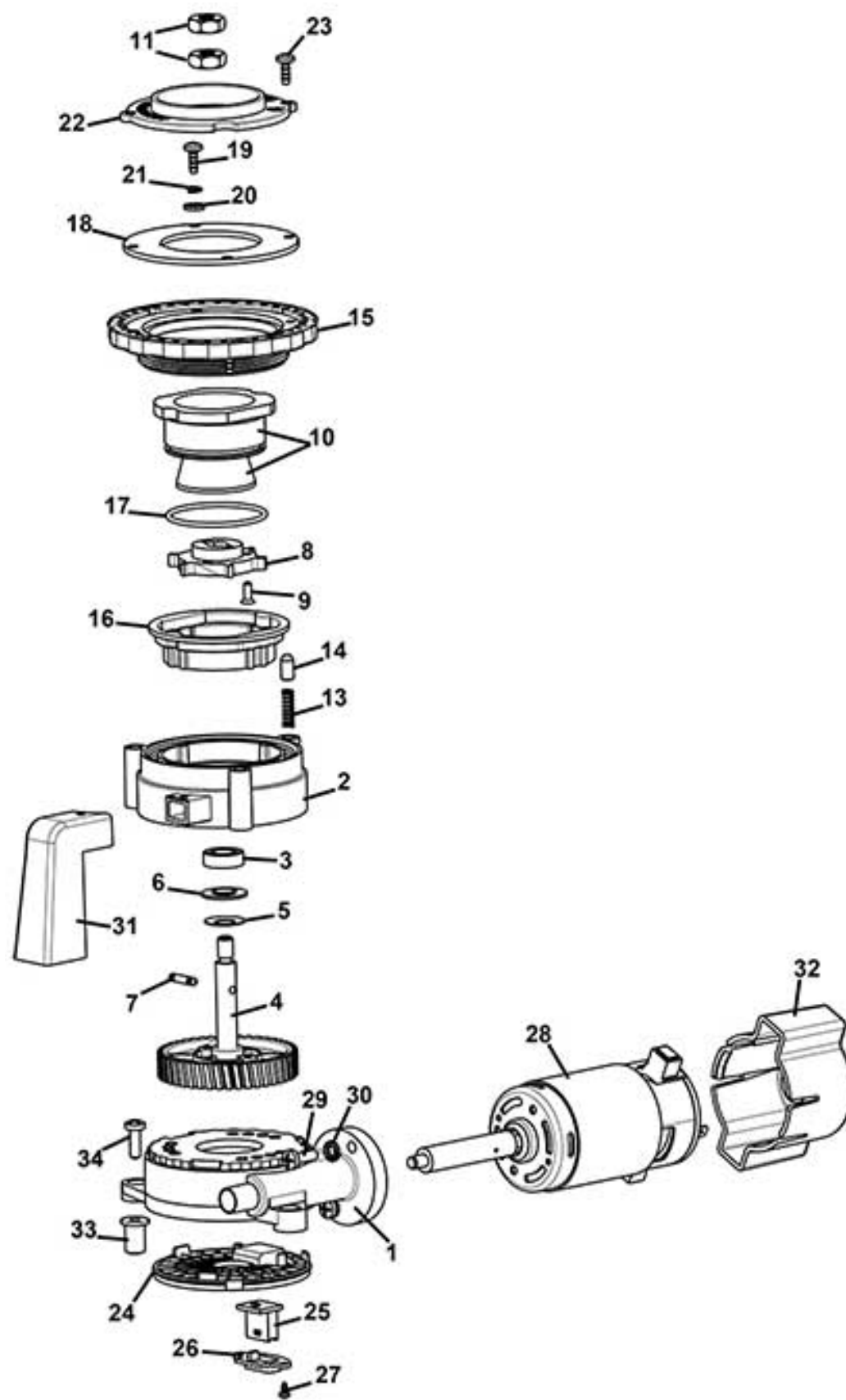
EC E - mixer



EC E

EC E - mixer

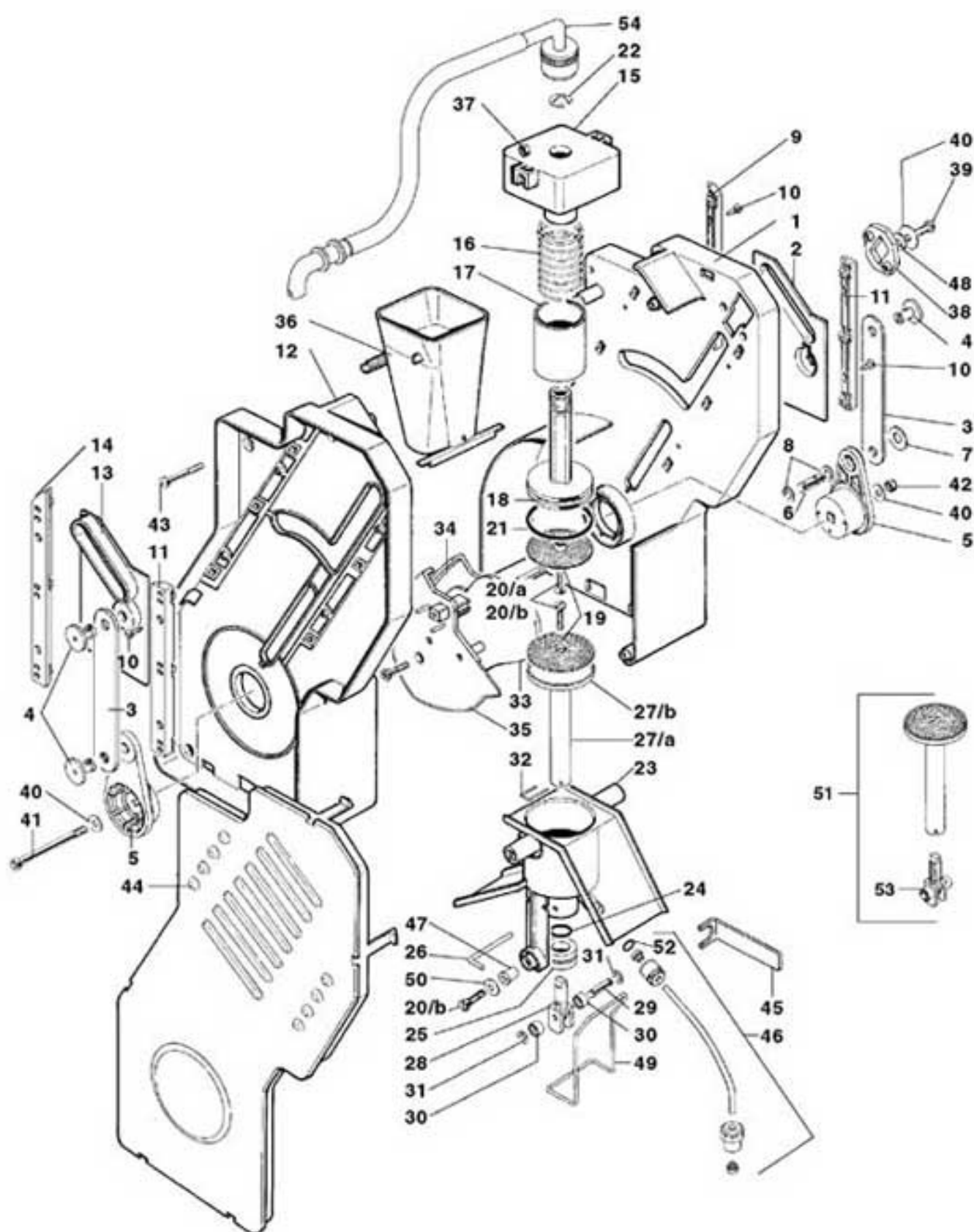
Pos. Code	Description
1 GUA0000084	OR 3131
2 0080100005	MOTOR MIXER BASE
3 0080100009IC	MIXER MOTOR SUPPORT RAL2011
4 0080100011	MIXER FAN
5 0080100101	MIXER SHAFT GASKET
6 0080100015	MIXER BUSH
7 0080100023IC	MIXER COVER RAL2011
8 0080100024	MIXER FAN
9 0090003023	MIXER MOTOR 24V DC SHAFT D.4
10 VIT0002401	SCREW ST HEAD CAP M3.5X9.5
11/a 0080200101L	MIXING BOWL L.W/H20 BREAKER
11/b 0080200102R	MIXING BOWL R.W/H20 BREAKER
11/c 0080200103C	MIXING BOWL F.W/H20 BREAKER
12 0080100006IC	LOCK RING RAL2011
13 0080100008	UPPER RING
100 0080100001R	Å§ MIXER BOWL BASE+MOTOR



EC E

EC E - GRINDER

Pos. Code	Description
1 0320001603NAR	Å§ MOTOR SUPPORT BLACK+PLUG
2 0320001602NAR	GRINDER BLADES SUPPORT
3 VIT0009325	BEARING
4 0320001608R	Å§ WHEEL+SHAFT+MAGNETS
5 0320001629	SPRING
6 0320001625	BUSH
7 0320001704	GRINDER ROTATION PIN REINFORCED
8 0320001636	EJECTOR
9 VIT0000121	SCREW COUNT FLAT HEAD M3X8
10 0320001620	CONIC MILL
11 0320001642	LOWER GRINDER FIXING NUT
13 0320001643	SPRING D.4X15X0,6
14 0320001624	REGULATION PIN
15 0320001605NAR	Å§ REGULATION RING NUT BLACK
16 0320001635NA	GRINDER SUPPORT BLACK
17 GUA0000124	OR 2137
18 0320001622	UPPER GRINDER FIXING
19 VIT0002469	SCREW HEAD TAP M3.5X10
20 0320001666	SPACER D.4x7x2
21 VIT0003103	SPRING WASHER 4,3
22 0320001607NA	DUCT BLACK
23 VIT0002469	SCREW HEAD TAP M3.5X10
24 0320001604NA	PLUG BLACK
25 SCH0009360	ENCODER BOARD
26 0320001616NA	SENSOR SUPPORT (BLACK)
27 VIT0002032	SCREW TCB 2,2X4,5
28 0090003047	GRINDER MOTOR 230V
29 VIT0000013	SCREW HEAD TAP CAP M4X12
30 VIT0003103	SPRING WASHER 4,3
31 0010028262NA	GRINDER CHUTE
32 0320001615NA	GRINDER SENSOR COVER BLACK
33 0320001628	NO-VIBRATION BUSH
34 VIT0000012	SCREW HEAD TAP CAP M4X10
100 0320001601CL2	Å§ GRINDER BLACK

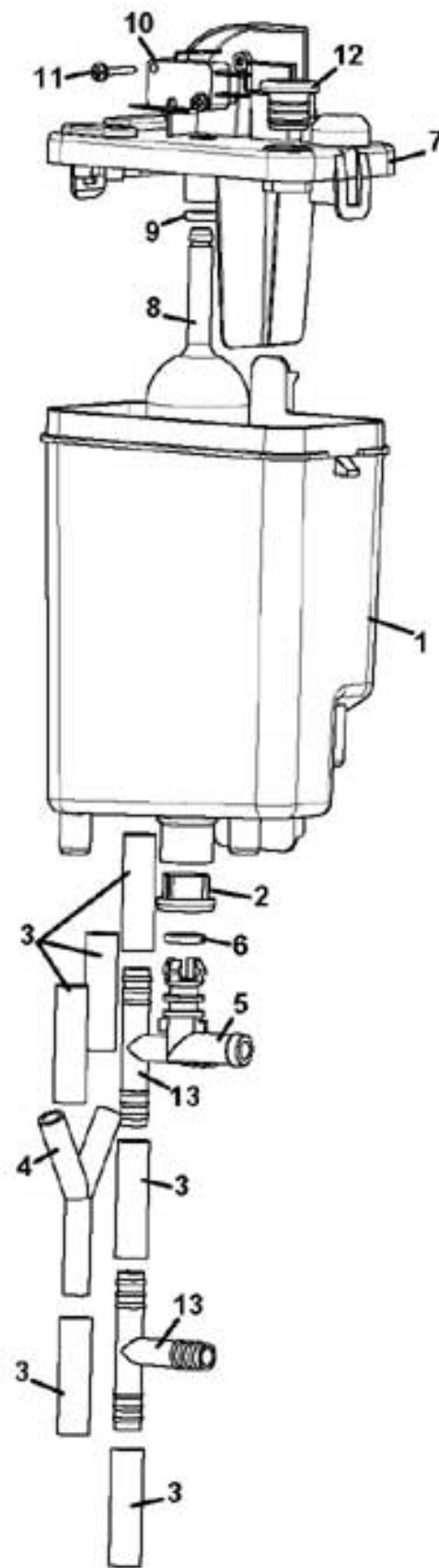


EC E

EC E - micro coffee group

Pos. Code	Description
1	0250008005R AS MICRO BREWER COVERS-L.H+R.H
2	0250008084 INFUSION CHAMBER CAM-RIGHT
3	0250008009 CONNECTING ROD
4	0250008028 CONNECTING ROD PIN
5	0250008011 RIGHT CRANK
6	0250008014 PIN
7	0250008042 ANTIVIBRATION WASHER
8	VIT0006515 RING 5
9	0250008031 REAR RIGHT GUIDE
10	VIT0002026 SCREW ST HEAD CAP M3.5X6.5
11	0250008033 FRONTAL GUIDE
12	0250008005R AS MICRO BREWER COVERS-L.H+R.H
13	0250008085 INFUSION CHAMBER CAM-LEFT
14	0250008032 REAR LEFT GUIDE
15	0250008086 UPPER FILTER SUPPORT
16	0250008024 UPPER FILTER SPRING
17	0250008087 SPRING COVER PIPE
18/a	0250008026R AS UPPER COFFEE FILTER D.36 For Coffee beans group D. 36 (Pos.18/a+19/a+21/a+20)
18/b	0250008208R AS UPPER COFFEE FILTER D.40 For Coffee beans group D. 40 --- (Pos. 18/b+19/b+21/b+20)
19/a	0250008099 COFFEE FILTER
19/b	0250008211 COFFEE FILTER D.37.3
20	VIT0000121 SCREW COUNT FLAT HEAD M3X8
21/a	GUA0000080 OR 4112 SILICON
21/b	GUA0000097 OR 4131 SILICON
22	VIT0006513 RING 8
23/a	0250008046R AS BREWER INFUSION CHAMBER
23/b	0250008206R AS LOWER COFFEE FILTER D.40
24	GUA0000065 OR 112 SILICON
25	0250008053 LOWER INLET CUP BUSH
26	0250008029 FUNNEL PIN
27/a	0250008108 LOWER FILTER SHAFT
27/b	0250008122 COFFEE FILTER LOW 36
27/c	0250008209IC LOWER COFFEE FILTER D.40
28	0250008106 BEARING SUPPORT
29	0250008021 BEARING SHAFT
30	0250008022 BEARING
31	VIT0006517 RING 3.2
33	0250008083 CAM
34	0250008016 CAM
35	0250008017 CAM
36	0250008036 COFFEE FUNNEL
37	VIT0004803 NUT M4
38	0250008035 SETTING PLATE
39	VIT0000032 SCREW HEAD TAP CAP M4X8
40	VIT0003309 WASHER4,3X16X1,5
41	VIT0005523 SCREW HEX HEAD REC TAP M4X60
42	VIT0004810 NUT M4
43	VIT0002461 SCREW HEAD TAP M4.2X26
44/a	0250008039CM MICRO BREWER COVER-L.H RAL9006 For Coffee beans group D. 36
44/b	0250008039IC MICRO BREWER COVER-L.H RAL2011 For Coffee beans group D. 40
45	0250008048 KEY FOR NUT
46	0250008110CL AS WATER INLET PIPE
47	VIT0009203 INSERT
48	VIT0003451 SPRING WASHER 4,2
50	0250008088 WASHER
51	0250008109R AS LOW COFFEE FILTER D.36+BEAR.
52	GUA0000061 OR 2010 VITON
53	0250008107R BEARING SUPPORT
54	0250008176CL2 AS COFFEE OUTLET PIPE
100	0250008001R COFFEE BREWER MICRO D.36
101	0250008201R COFFEE BREWER MICRO D.40
104	0250008108R AS LOWER COFFEE FILTER D.36
105	0250008209R AS LOWER COFFEE FILTER D.40
106	0250008210R AS LOW COFFEE FILTER D.40+BEAR.

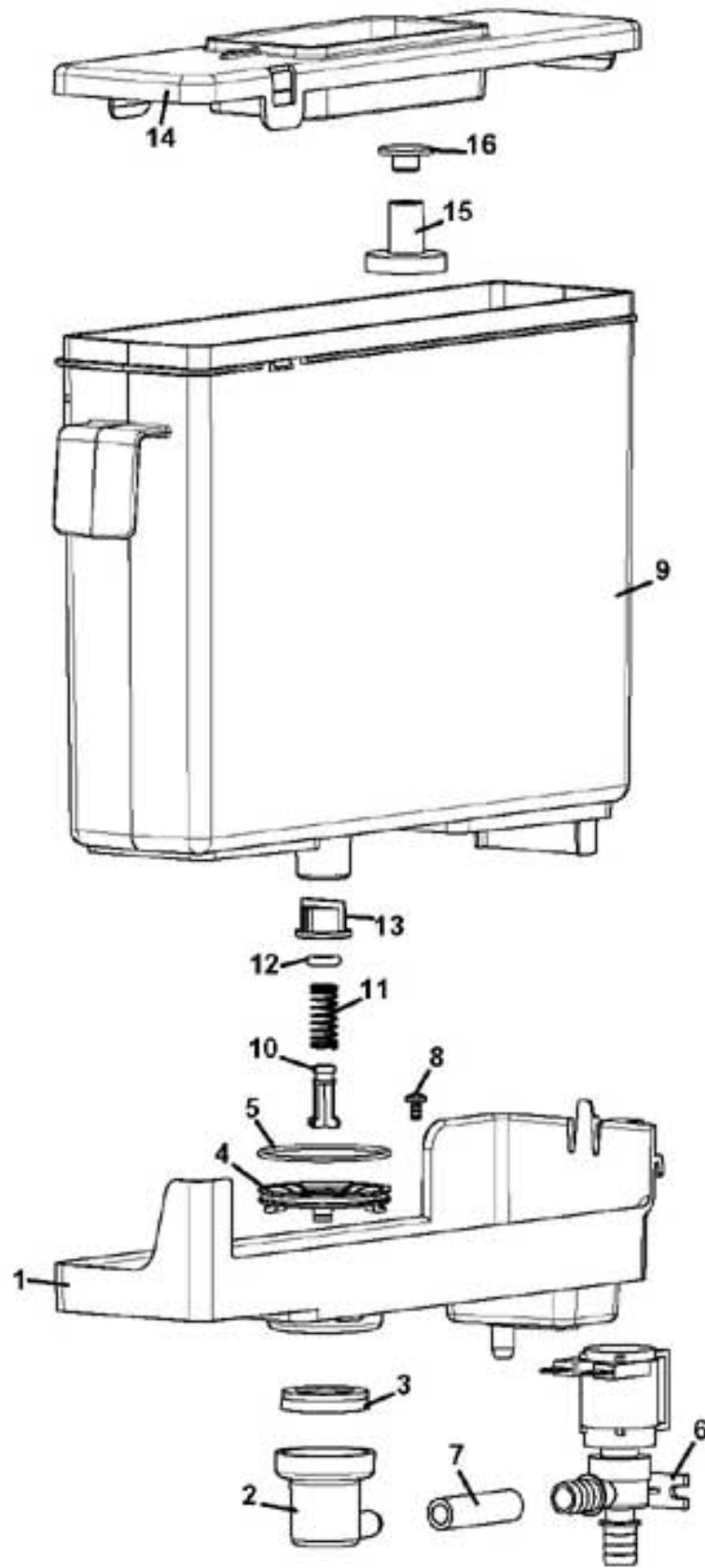
EC E - water inlet panel



EC E

EC E - water inlet panel

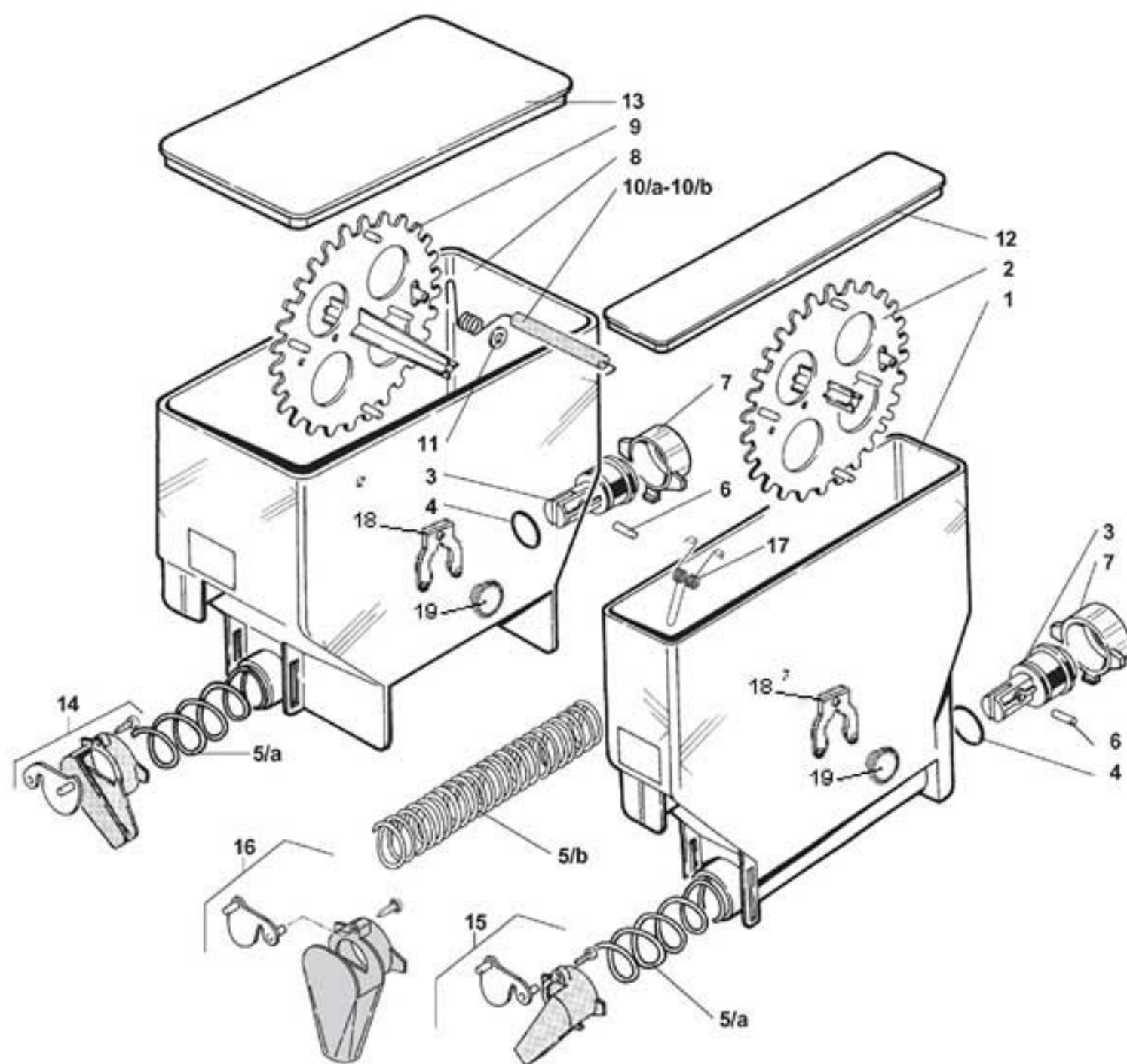
Pos.	Code	Description
1	0800013041	AIR BREAK TANK
2	0110020007	PLASTIC FILTER DIAM. 20
3	TSIL07/11T	SILICON HOSE 7X11
4	0100001065	CONNECTOR "Y"
5	0800009211	ELBOW CONNECTOR
6	GUA0000043	OR 109
7	0800013043	AIR BREAK COVER
8	0800013046	AIR BREAK WASTE FLOAT
9	GUA0000082	SILOCONE GASKET D.6
10	ELE0001514	MICROSWITCH 3A 125-250VA
11	VIT0002013	SCREW ST HEAD CAP M2.9X19
12	0800013051	VALVE GASKET
13	0100003023	T CONNECTOR 462 TS



EC E

EC E - h2o tank

Pos. Code	Description
1 0800012516	H2O TANK HOLDER
2 0800012512	WATER TANK ELBOW CONNECTOR
3 GUA0002100	SILICONE GASKET
4 0800012515NA	RING GASKET BLACK
5 GUA0000046	OR 2137
6 0110001103	VALVE 2W 24V DC
7 TSIL07/11T	SILICON HOSE 7X11
8 VIT0002015	SCREW ST HEAD CAP M3.5X9.5
9 0800012506	H2O TANK
10 0800012009	WATER TANK CLOSING PIN
11 0800012012	PIN SPRING
12 GUA0000082	SILOCONE GASKET D.6
13 0110020011	FILTER
14 0800012507	H2O TANK LID
15 0020037046	WASTE FLOAT RAL 3020
16 0020037045	WASTE FLOAT RAL 9005
100 0800012500CL	Å§ WATER TANK From pos. 9 to pos. 16

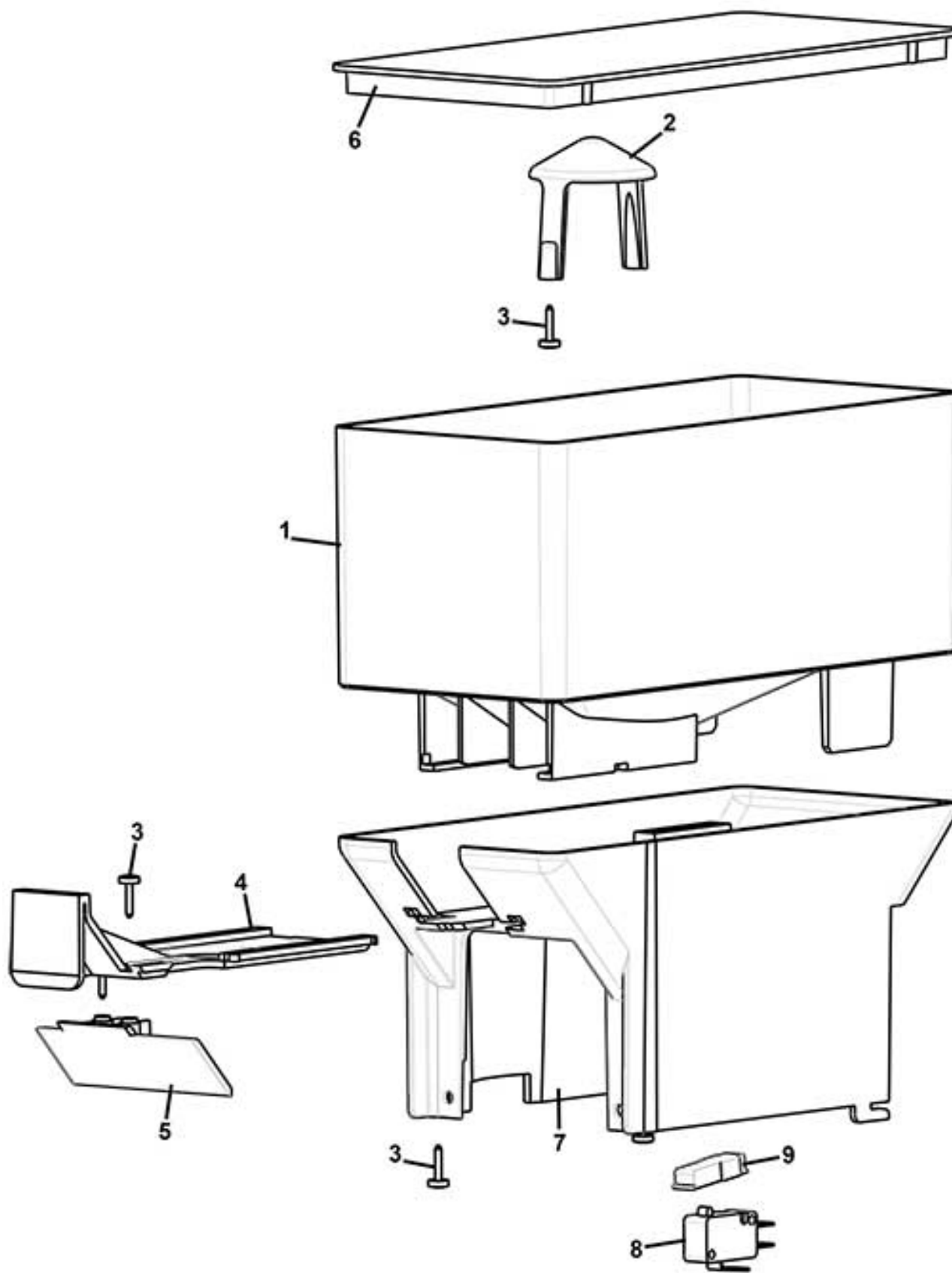


EC E

EC E - product containers

Pos. Code	Description
1 0230030500	INGREDIENT CANISTER 54 190
2 0230030236AB	WHEEL (PLASTIC)
3 0230030012	SPIRAL PIN
4 GUA0000083	OR 123
5/a 0230030014	SPIRAL 18
5/b 0230030013	SPIRAL 9
6 VIT0005106	SPRING PIN 2X14
7 0230030011	REAR BUSH
8 0230030520	INGREDIENT CANISTER 110-190
9 0230030237AB	DOUBLE WHEEL (PLASTIC)
10/a 0230030064	AGITATOR 112-RIGHT OUTLET
10/b 0230030062	PRODUCT AGITATOR 112-LEFT
11 VIT0003210	WASHER 8,4X16X1,6
12 0230030156	CANISTER 54 LID
13 0230030158	CANISTER 110 LID
14/a 0230030058R	Â§ INGRED. CHUTE-RIGHT ORANGE
14/b 0230030044R	Â§ INGREDIENT CHUTE-RIGHT RED
15/a 0230030057R	Â§ INGREDIENT CHUTE-LEFT ORANGE
15/b 0230030043R	Â§ INGREDIENT CHUTE-LEFT RED
16 0230030059R	Â§ INGRED. CHUTE-FRONTALORANGE
17 0230030060-04	ANTIBRIDGING
18 0230030239	WHEEL PIN FORK
19 0230030238	WHEEL PIN
100 0230030522R	Â§ CAN. 110-190 AGIT.18 W/LID-R
101 0230030525R	Â§ CAN. 110-190 AGIT.18 W/LID-L
102 0230030506R	Â§ CANIS. 54-190 WHEEL18 W/LID
103 0230030502R	Â§ CANIS. 54-190 WHEEL9 W/LID

EC E - coffee beans container



EC E

EC E - coffee beans container

Pos. Code	Description
1 0230015302TR	COFFEE BEANS HOPPER
2 0230015227TR	GRINDER COVER
3 VIT0002469	SCREW HEAD TAP M3.5X10
4 0230015303-01IC	COFFEE BEANS HOP. STOP.RAL2011
5 0230015306NA	REGUL. GRINDER STOPPER PLATE
6 0230015305CK	COFFEE BEANS HOP. LIDRAL7037
7 0230015301-01NA	GRINDER COVER
8 ELE0001522	MICROSWITCH
9 0230015307NA	BUTTON BLACK
100 0230015300CL1	Â§ COFFEE BEANS HOPPER From pos.1 to pos.6