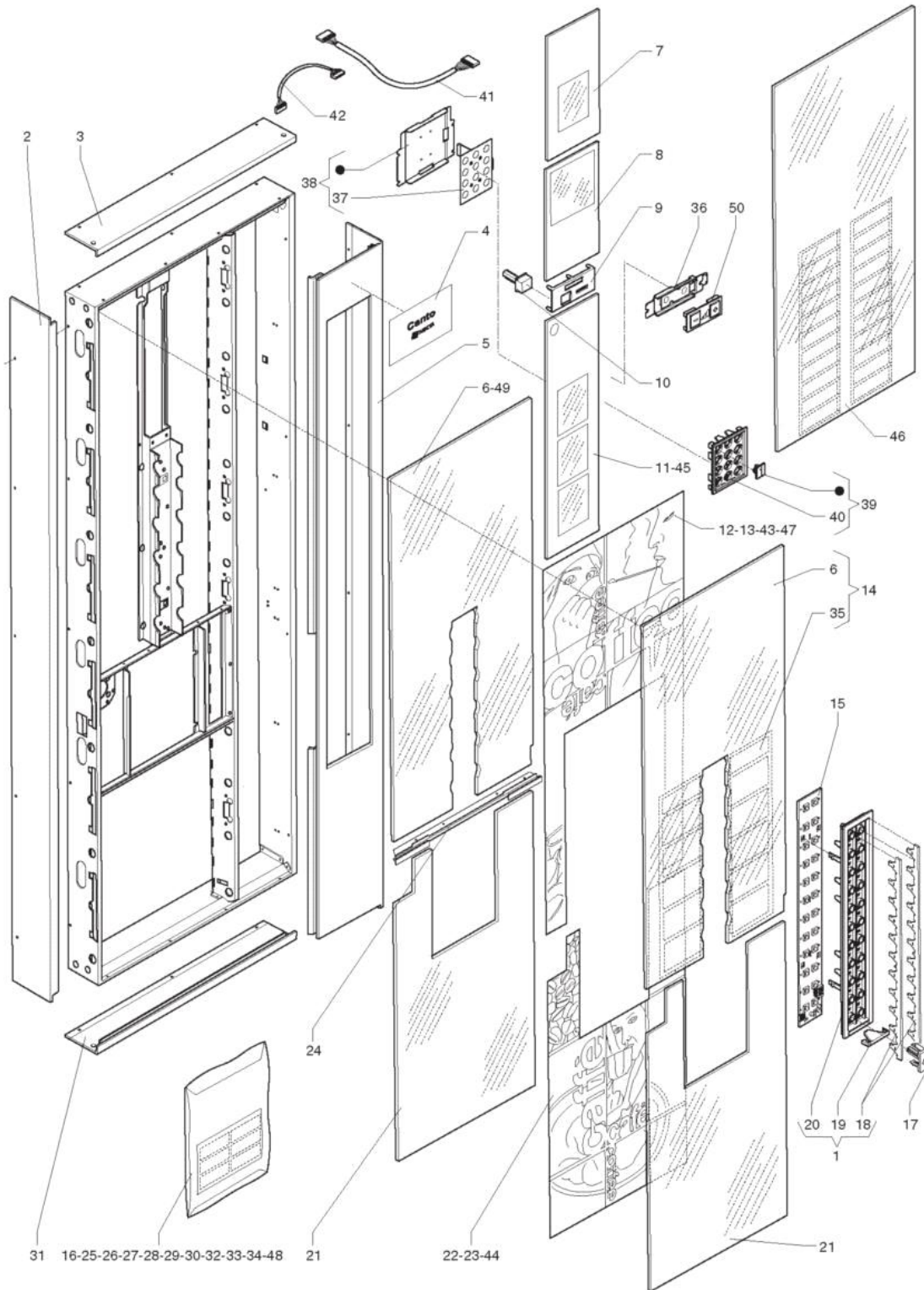


- 1 Door, external side
- 2 Door, internal side
- 3 Cabinet
- 4 Electric system
- 5 Hydraulic system (Espresso version)
- 6 Hydraulic system (Instant version)
- 7 Cup dispenser
- 8 Sugar and spoons dispenser
- 9 Mixer and canister
- 10 Grinder doser unit
- 11 Coffee unit Z4000 Ø 38 (South Europe)
- 12 Coffee unit Z4000 Medium
- 13 Pin and connectors

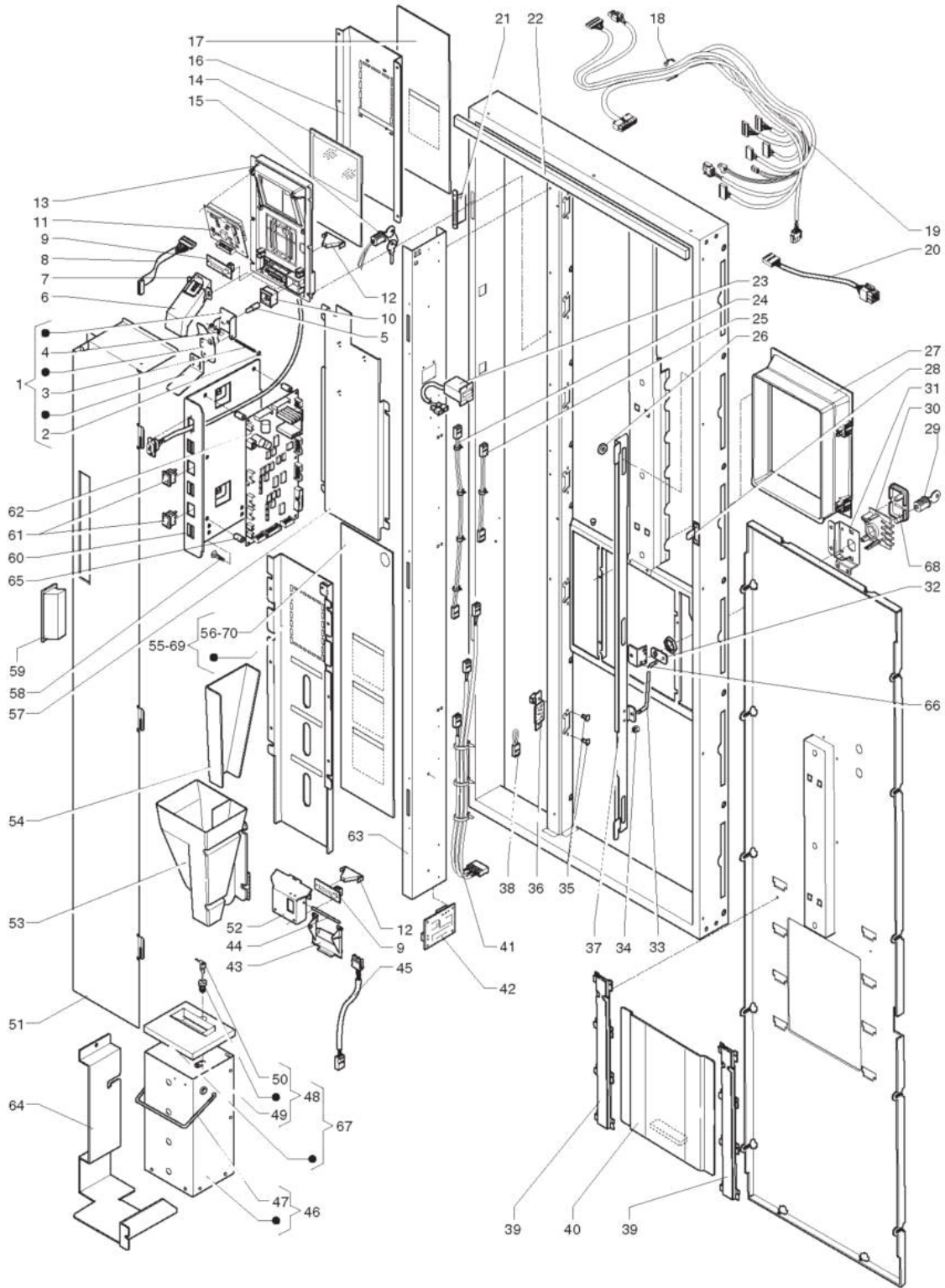




posLbl	Item	Description	Price (Eur)
0001	254066	PUSH-BUTTON PANEL SELECTIONS ASSEMBLY	43.80
0002	253972	LEFT PROFILE	100.80
0003	253971	UPPER PROFILE	51.60
0004	254455	CANTO LOGOTYPE ADHESIVE	10.32
0005	253970	USER INTERFACE PROFIL	248.40
0006	254461	UPPER TRANSPARENT PANEL -SINGLE LABELS-	80.40
0007	254027	INTERFACE UPPER PANEL	36.00
0008	254028	DISPLAY ELEMENT PANEL	18.36
0009	253882	COIN SLOT MOLDING	12.00
0010	253912	COIN RETURN BUTTON	1.13
0011	254030	INTERFACE LOWER PANEL	45.00
0012	254031	UPPER PHOTOGRAPHIC PANEL -COLLAGE-	84.00
0013	254458	UPPER PHOTOGRAFIC PANEL -DOLCEVITA-	80.40
0014	254067	UPPER TRANSPARENT PANEL WITH LABEL HOLDER	136.80
0015	254054	PUSHBUTTONS CARDS	115.20
0016	254597	PRODUCTS PLATES COLLAGE -D-	112.80
0017	254025	SINGLE SELECTION BUTTON	1.85
0018	254022	ILLUMINATED PANEL	4.32
0019	253911	CENTRAL LIGHT DIFFUSER	3.24
0020	254021	PUSH-BUTTON PANEL SELECTIONS	27.60
0021	254016	LOWER TRANSPARENT PANEL	60.00
0022	254032	LOWER PHOTOGRAPHIC PANEL -COLLAGE-	79.20
0023	254459	LOWER PHOTOGRAFIC PANEL -DOLCEVITA-	66.00
0024	253969	CENTRAL PROFILE	43.20
0025	0V3368	PRICE PLATE - EURO 0,05-	3.36
0026	254035	DOOR MONEY PLATE	11.04
0027	254036	DOOR NEUTRAL PLATE	4.44
0028	254034	PRODUCT LABEL ITALY	80.40
0029	255131	PRODUCTS PLATES COLLAGE -P-	92.40
0030	254460	PRODUCT PLATE -DOLCE VITA- -F-	115.20
0031	254470	LOWER PROFILE	51.60
0032	254690	PRODUCTS PLATES COLLAGE -SPAGNA-	80.40
0033	254703	PRODUCTS PLATES COLLAGE -RUS-	80.40
0034	254704	PRODUCTS PLATES COLLAGE -UK-	80.40
0035	254402	SINGLE LABEL HOLDER	27.00
0036	254872	PUSH-BUTTON-PANEL SUPPORT	56.40
0037	254254	MEMBRANE-TYPE PUSH-BUTTON NUMERIC SEL.	37.80
0038	254264	NUMERIC KEYPAD SUPPORT	55.20
0039	254263	COMPLETE NUMERIC KEYPAD	30.00
0040	254250	NUMERIC KEYPAD BODY	10.08
0041	254767	CONTROL PANEL DIRECT SELECTIONWIRING	25.20
0042	250583	KEYPAD WIRING	19.80
0043	254855	UPPER PHOTOGRAPHIC PANEL -GOLD-	117.60
0044	254856	LOWER PHOTOGRAFIC PANEL -GOLD-	100.80



posLbl	Item	Description	Price (Eur)
0045	254866	LOWER PANEL NUMERIC KEYPAD	40.80
0046	254870	UPPER PANEL NUMERIC KEYPAD	146.40
0047	254867	UPPER PHOTOGRAFIC PANEL NUMERIC KEYPAD -COLLAGE-	87.60
0048	254868	PRODUCTS PLATES COLLAGE -I- NUMERIC KEYPAD	56.40
0049	255144	UPPER TRANSPARENT PANEL NUM. SEL.	54.00
0050	254871	PRE-SELECTION KEYBOARD	63.60



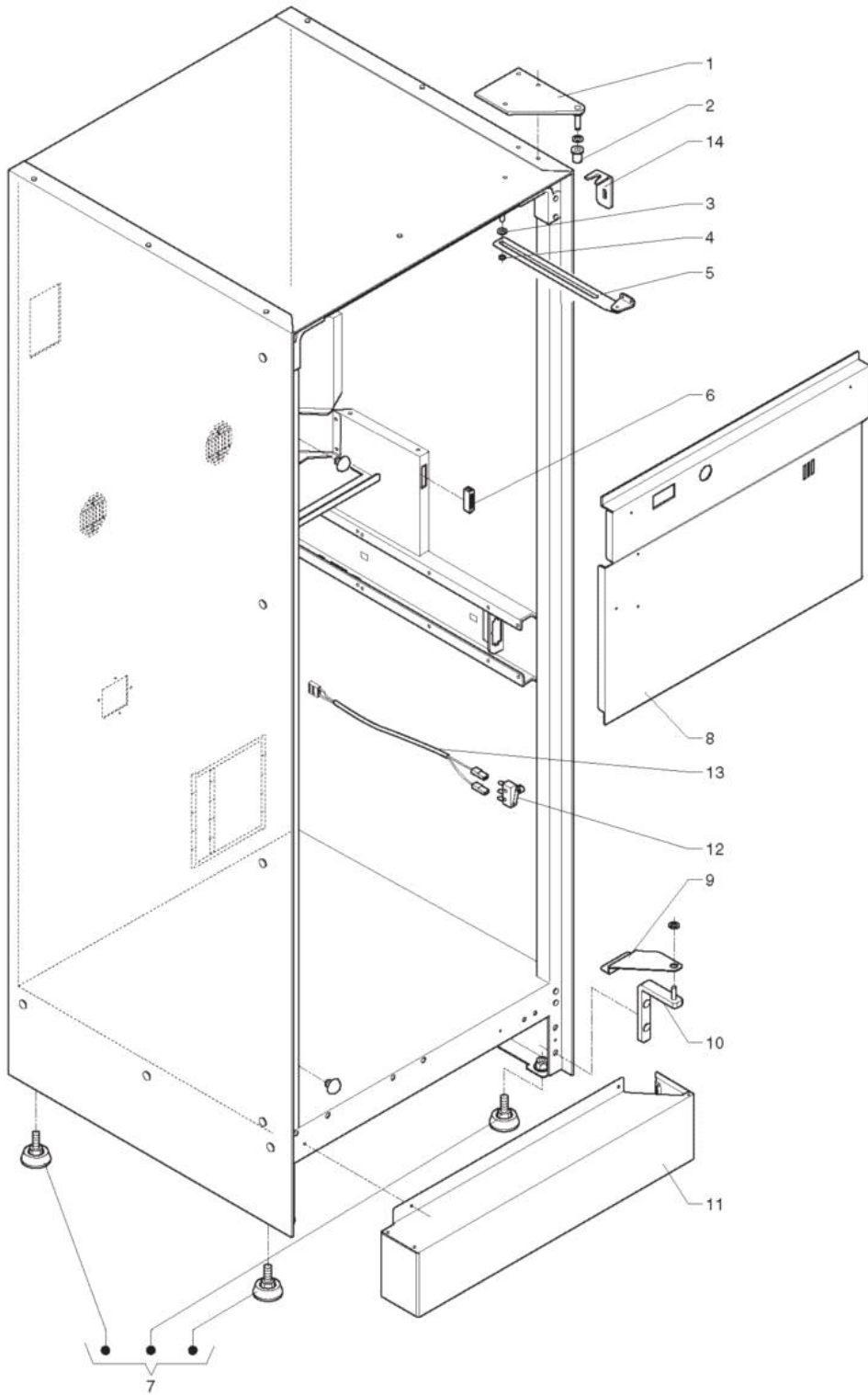


posLbl	Item	Description	Price (Eur)
0001	253931	COIN RETURN ASSY.	33.60
0002	093754	BENZING COLLAR QUICKBLOCK BQ DIAM MM	0.10
0003	099355	CHANGE GIVING PIN	1.74
0004	099356	SPRING FOR CHANGE	0.24
0005	099351	ACTIVATOR	2.52
0006	0V2084	LOWER COIN SLOT CHUTE	4.32
0007	099357	UPPER SLIDE	2.52
0008	253920	DISPLAY WIRING	15.84
0009	254055	DISPLAY LED BOARD	14.40
0010	253912	COIN RETURN BUTTON	1.13
0011	253925	DISPLAY	190.80
0012	253911	CENTRAL LIGHT DIFFUSER	3.24
0013	253909	DISPLAY SUPPORT	30.60
0014	254028	DISPLAY ELEMENT PANEL	18.36
0015	099743	FREE VEND SWITCH	91.20
0016	253958	INTERFACE UPPER SUPPORT	27.60
0017	254027	INTERFACE UPPER PANEL	36.00
0018	090148	CLIP	0.05
0019	254045	DOOR WIRING	84.00
0020	253921	BDV COIN MECHANISM WIRING	24.00
0021	253323	MAGNET	4.20
0022	251515	ADHESIVE SEAL (A METER)	1.54
0023	0V2284	SCALER 24 VOLT	24.00
0024	254163	LED CONNECTION WIRING 1040MM	5.40
0025	254162	SHORT LED CONNECTION WIRING	2.94
0026	0V3143	LOCK ROD SPACER	2.64
0027	254020	DISTRIBUTION AREA FRAME	33.60
0028	0V2017	DOOR MICRO-SWITCH ACTUATOR	2.76
0029	099905	LOCK RIELDA	34.20
0030	254024	LOCK MOLDING	8.28
0031	253968	LOCK SUPPORT	4.38
0032	250487	LATCH BOLT	1.60
0033	250494	CLOSING PIN	6.24
0034	091703	SELF-BLOCKING NUT M4	0.10
0035	097298	FASTEX CLIP	0.10
0036	254167	LED AND OPTICAL ILLUMINATION ASSEMBLY	32.40
0037	254060	DOOR LOCKING	24.60
0038	254161	LED BRIDGE WIRING	1.37
0039	254023	SLIDER GUIDE	5.88
0040	254211	DISPENSING COMPARTMENT DOOR	27.00
0041	254165	REGULATOR CARD-3 SERIES LED WIRING	17.28
0042	254166	CURRENT REGULATOR CARD	41.40
0043	254158	COIN RECOVERY OPENING	10.32
0044	254159	SLIDER PIN	2.17



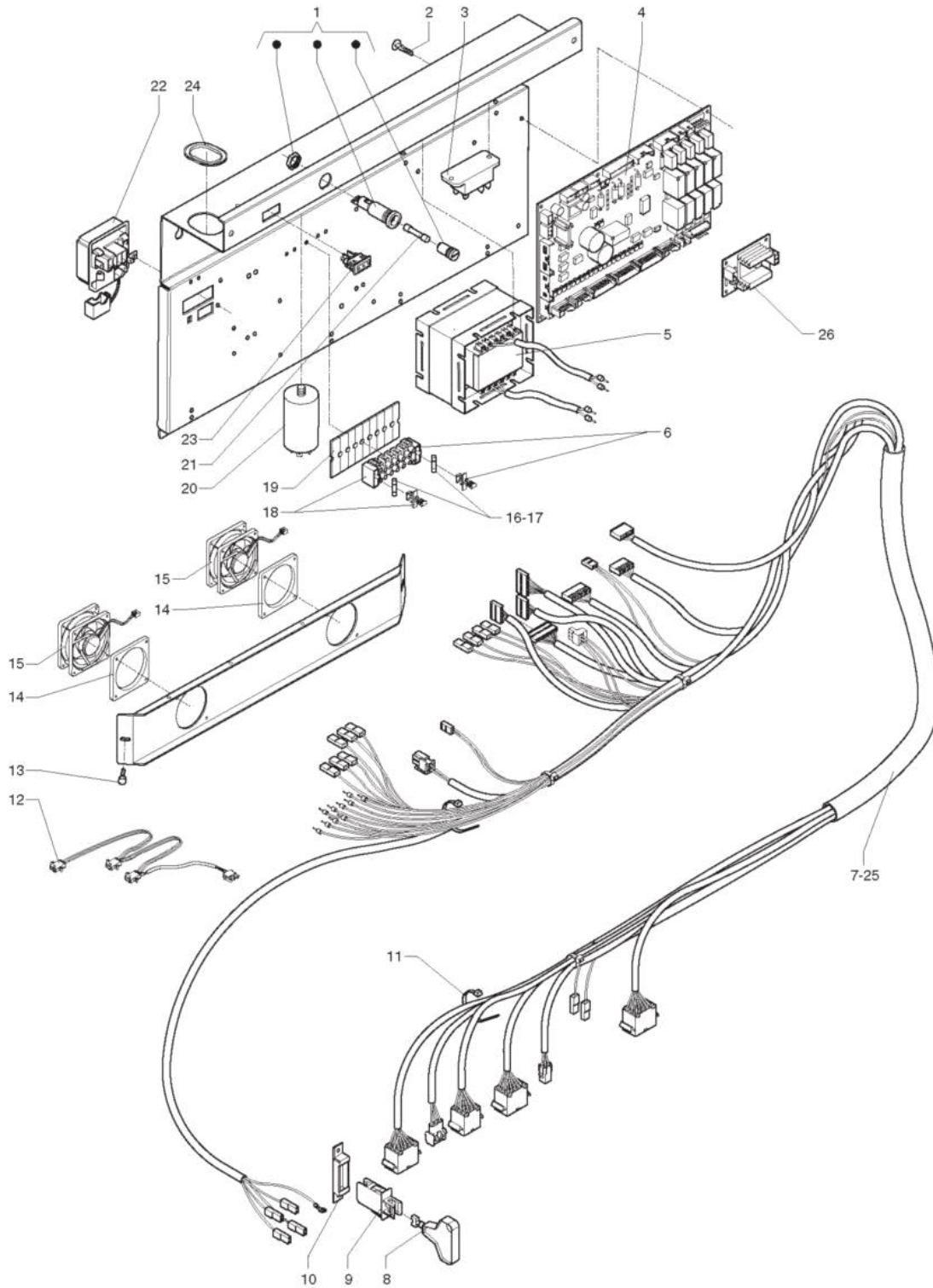
Door, internal side

posLbl	Item	Description	Price (Eur)
0045	254046	COIN RETURN LED WIRING	4.56
0046	0V2188	COIN BOX	43.20
0047	0V2029	COIN-BOX HANDLE	4.92
0048	090861	CYLINDER LOCK TYPE K	34.80
0049	098551	BOLT	0.76
0050	092218	PASSE-PARTOUT LOCK K	5.04
0051	254740	BOX COVER	51.60
0052	253955	BOARD COIN RETURN SUPPORT	8.16
0053	253910	CHUTE FOR CHANGE	28.20
0054	253951	CHUTE FOR CHANGE SEPARATOR	7.20
0055	253952	INTERFACE LOWER ASSEMBLY DIRECT SELECTION	35.40
0056	254030	INTERFACE LOWER PANEL	45.00
0057	253956	COIN MECHANISM SUPPORT	25.80
0058	097175	CARD SPACER	0.22
0059	0V3659	HANDLE	0.96
0060	253954	CPU BOARD SUPPORT	21.60
0061	097807	BUTTON	2.88
0062	253924	CPU BOARD	230.40
0063	0V1991	BOX	33.60
0064	253957	COIN-BOX SUPPORT	32.40
0065	0V1431	SPACER	0.41
0066	253439	BRACKET	1.32
0067	254632	LID WITH LOCK	82.80
0068	254582	SCREWS PLUG	2.76
0069	254869	LOWER INTERFACE PANEL NUMERIC KEYPAD	72.00
0070	254866	LOWER PANEL NUMERIC KEYPAD	40.80



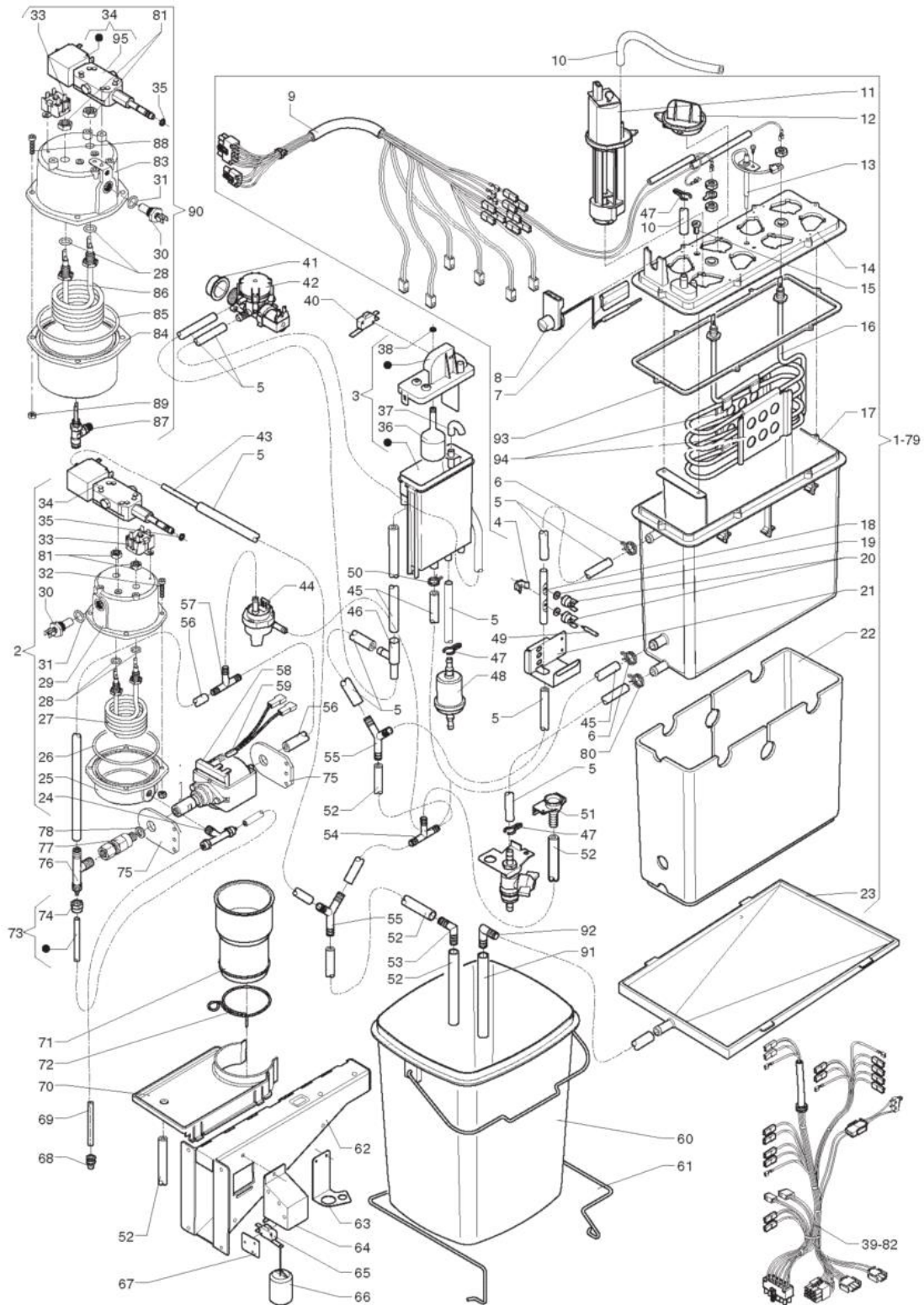


posLbl	Item	Description	Price (Eur)
0001	254068	DOOR UPPER HINGE	25.80
0002	093886	HINGE BUSH	1.51
0003	250160	DOOR STOP SPACER	1.78
0004	093470	FLAT WASHER MM 6,4	0.04
0005	0V2160	DOOR STOP	9.60
0006	250182	MAGNET	2.46
0007	252124	4 FEET KIT	5.76
0008	253946	ELECTRICAL PANEL COVER	35.40
0009	253965	HINGE HOLDING SQUARE	3.84
0010	254069	DOOR LOWER HINGE	18.72
0011	254080	FOOT-COVER	76.80
0012	0V1930	MICROSWITCH 'UL'	4.20
0013	254701	WIRING DOOR MICRO	5.52
0014	255070	DOOR HINGE FORK	1.44





posLbl	Item	Description	Price (Eur)
0001	254852	FUSE HOLDER	23.40
0002	097175	CARD SPACER	0.22
0003	298088	TWO-POLE RELAY	24.00
0004	254053	CONTROL BOARD	244.80
0005	254040	TRANSFORMER G49/26	117.60
0006	097241	3-POLE TERMINAL BOARD W/CARRIER	3.48
0007	254043	IN MAIN WIRING	208.80
0008	0V1654	SWITCH KEY	0.94
0009	097796	SWITCH	11.28
0010	098797	SWITCH SUPPORT	1.27
0011	090148	CLIP	0.05
0012	254041	COOLING FAN WIRING	24.00
0013	252384	KNOB M4X10	4.32
0014	253997	FAN ADHESIVE SEAL	2.17
0015	251867	12 V DC FAN -0.12A-	42.00
0016	097097	FUSE 2 AMP.5X20 DELAYED ACT	0.32
0017	098170	FUSE T6,3AMP	0.37
0018	098793	5P TERMINAL BOARD WITH FUSE-HOLDER	4.14
0019	097242	SUB-TERMINAL BOARD	1.56
0020	0V3512	ELECTRICAL NET FILTER	16.92
0021	095636	FUSE 15 A	0.72
0022	098796	TERMINAL BOARD	3.72
0023	096921	POWER POINT 10 AMP	1.85
0024	093916	WHIPPING OVAL	0.34
0025	254548	ES-FB GENERAL WIRING	258.00
0026	0V2143	BOILER CONTROL BOARD	36.00





Hydraulic system (Espresso version)

posLbl	Item	Description	Price (Eur)
0001	254560	COMPLETE 4 PUMPS BOILER	720.00
0002	254326	BOILER 200CC 230V-50HZ	282.00
0003	0V1133	AIR-BREAK ASSEMBLY	13.20
0004	098484	HOSE FIXING	0.18
0005	097512	SILICONE HOSE 6X12 BROWN	5.04
0006	095515	HOSE CLIP DIAM 14	0.30
0007	251824	THERMOSTAT BULB CARRIER	9.00
0008	251891	BULB THERMOSTAT	33.00
0009	254044	INSTANT BOILER WIRING	40.80
0009	257705	WIRING BOILER WITH SHIELD	44.40
0010	097511	SILICONE HOSE 6X9BROWN	2.52
0011	254072	PUMP WITH BOARD	103.20
0011	259029	PUMP WITHOUT CARD	74.40
0012	253988	BOILER COVER STOPPER	3.90
0013	254056	PROBE	51.60
0014	253987	BOILER COVER	8.40
0015	099844	GASKET	2.21
0016	254039	HEATING ELEMENT	90.00
0017	253986	BOILER BODY	20.52
0018	099458	TUBE FOR 2 THERMOSTAT	11.52
0019	094597	COPPER WASHER	0.40
0020	0V2129	THERMOSTAT 82 C	7.68
0021	253962	ANTI-BOIL SUPPORT BRACKET	3.42
0022	254033	BOILER INSULATION	16.20
0023	254584	BOILER BASIN	22.32
0024	252023	1/8 T UNION	14.40
0025	254332	LOWER COVER 200CC	64.80
0026	098701	GASKET	1.18
0027	098645	HEATING-ELEMENT	31.20
0028	254711	GASKET O-RING112 2.62X9.92	0.41
0029	098640	UPPER BOILER-COVER	41.40
0030	094872	BOILER TEMPERATURE PROBE	14.88
0031	095624	GASKET O-RING 116 EP851	0.20
0032	255043	SCREW M5X20	0.08
0033	0V1318	125 DEGR. THERMOSTAT	14.16
0034	254640	3 WAY ELECTROVALVE + PIPE	93.60
0035	094611	GASKET O-RING 2018	0.06
0036	0V1126	AIR-BREAK FLOAT	1.18
0037	0V1749	WATER/AIR-BREAK CONNECTION	1.32
0038	090421	GASKET OR 2025	0.26
0039	254422	COFFEE BRACKET WIRING	57.60
0040	0V1141	MICROSWITCH	2.40
0041	099815	STOPPER	0.14
0042	097383	ELECTROVALVE WATER-INLET 220V-2,5L/MIN-	13.44



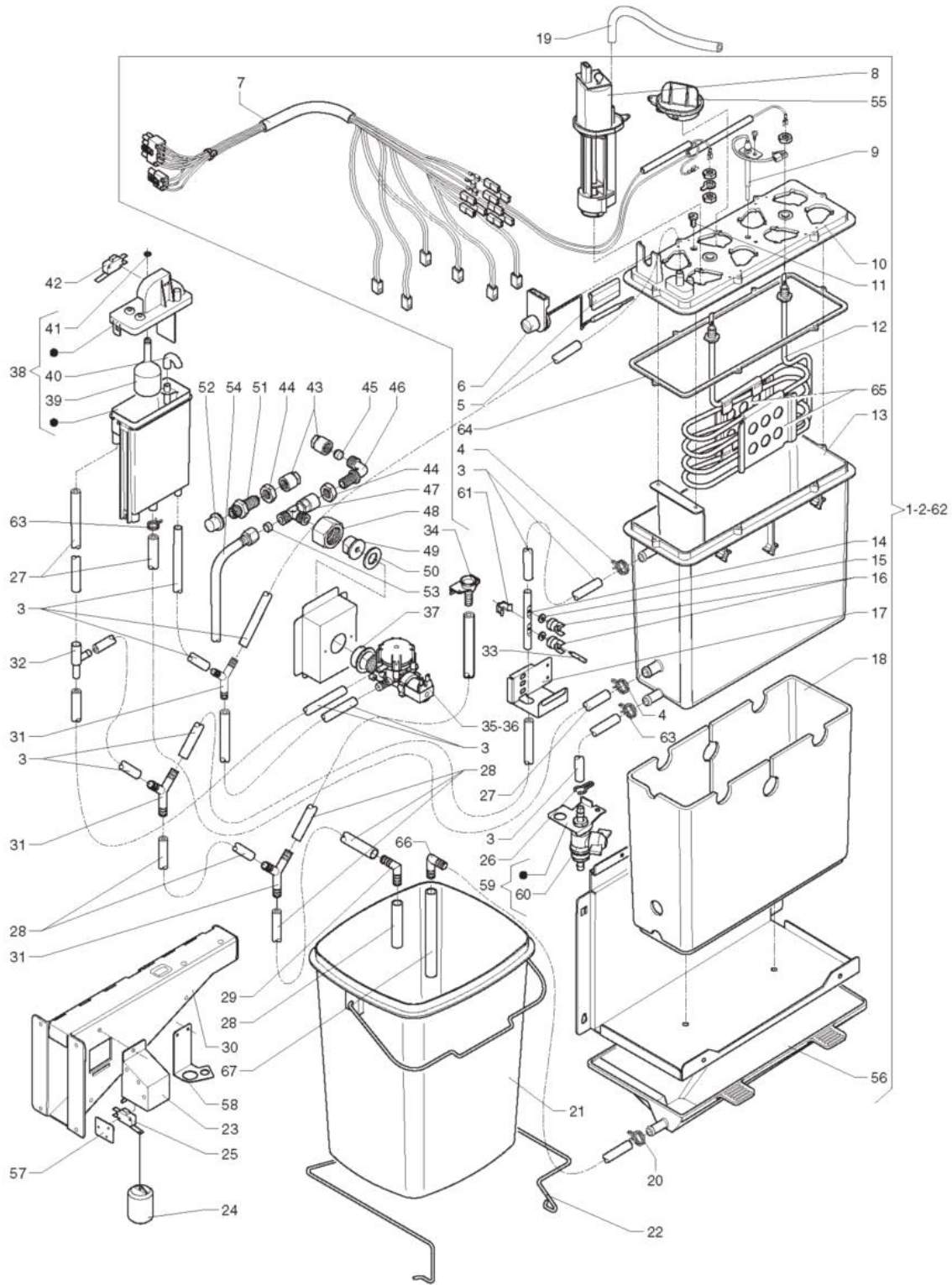
Hydraulic system (Espresso version)

posLbl	Item	Description	Price (Eur)
0043	097529	SILICONE HOSE 3X6 BROWN	1.44
0044	098707	VOLUMETRIC COUNTER D.1,8	18.00
0044	254551	FLOW VOLUME METRE D.1,2	18.00
0044	258625	VOLUMETRIC COUNTER D.1,8 -WHITE-	20.16
0045	097515	SILICONE HOSE 10X16 BROWN	7.20
0046	094185	CODENSE RECOVERY UNION	0.98
0047	092703	TUBE CLAMP	0.44
0048	097435	WATER FILTER VOLUMETRIC COUNTER	5.88
0049	0V2074	THERMOSTAT ACTUATOR	1.46
0050	254109	HOSE CLIP DIAM. 19	0.54
0051	250468	TRAY FUNNEL	1.06
0052	093628	HOSE VIPLA TRANSPARENT DIAM MM 14X1	1.78
0053	094571	UNION 90 DEGREES	0.46
0054	096552	UNION T-SHAPE	0.54
0055	093959	UNION Y-SHAPE DIAM 12 OUTER	0.98
0056	097510	SILICONE HOSE 5X9 BROWN	3.06
0057	094231	UNION T-SHAPE	0.79
0058	098760	PUMP (VIBRATION)	19.08
0059	098815	90 DEGREE THERMIC PROTECTION	13.92
0060	254569	BLUE GROUND BUCKET	13.68
0061	0V3653	LIQUID CONTAINER STOP	6.00
0062	253960	SPOUT SUPPORT	52.80
0063	254695	DRAIN PIPE SUPPORT	1.70
0064	253964	BUCKET MICROSWITCH SUPPORT	0.00
0065	252585	MICROSWITCH	3.72
0066	094294	FLOAT	6.12
0067	090681	INSULATING DISK.	0.29
0068	251847	DIAM. 6 QUICK-COUPLING	8.52
0069	252658	TEFLON PIPE 3X6 (A METER)	8.04
0070	254847	COVER Z4000	18.00
0071	0V3698	USED DOSE DISCHARGE PIPE	6.36
0072	094048	BAG LOCK COLLAR	1.74
0073	254555	PUMP-BOILER PIPE	15.12
0074	099107	NUT	0.84
0075	0V4275	POMPE SUPPORT	0.82
0076	098764	BY-PASS PUMP (12 BAR)	15.84
0077	099101	NO-RETURN VALVE	9.84
0078	251143	ALUMINIUM WASHER	0.14
0079	254572	COMPLETE 5 PUMPS BOILER	768.00
0080	096264	HOSE CLIP	0.60
0081	254710	ELASTIC BENT WASHER	0.13
0082	254797	DOUBLE COFFEE BRACKET WIRING	84.00
0083	099747	UPPER BOILER-COVER 600CC	73.20
0084	099746	LOWER BOILER-COVER 600CC	64.80



Hydraulic system (Espresso version)

posLbl	Item	Description	Price (Eur)
0085	099748	GASKET -VERS. 600CC-	1.67
0086	099653	HEATING ELEMENT 1450 W	34.80
0087	0V3656	UNION TEE	22.68
0088	255041	SCREW M6X25	0.10
0089	255042	NUT M6	0.05
0090	254806	-230V-50HZ- 600CC BOILER	342.00
0091	098800	TRANSPARENT HOSE (PER METER)	2.76
0092	255107	UNION L-SHAPE D.14MM	1.67
0093	254790	BOILER SEAL	2.58
0094	255060	BOILER HEATING-ELEMENT SPACER	7.92
0095	254333	BOILER NOZZLE	16.92





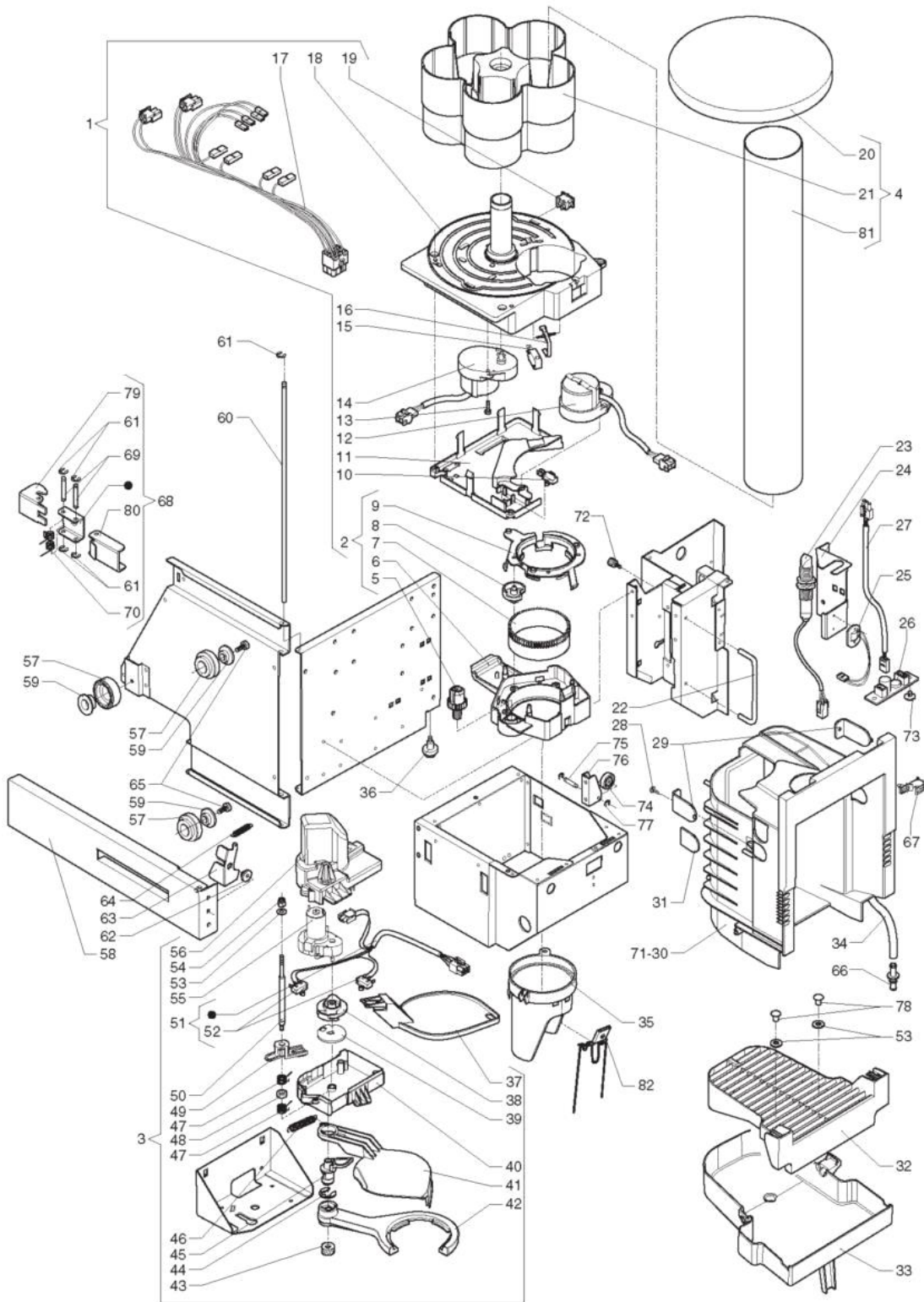
Hydraulic system (Instant version)

posLbl	Item	Description	Price (Eur)
0001	254071	6 PUMP INSTANT BOILER	816.00
0002	254572	COMPLETE 5 PUMPS BOILER	768.00
0003	097512	SILICONE HOSE 6X12 BROWN	5.04
0004	095515	HOSE CLIP DIAM 14	0.30
0005	251824	THERMOSTAT BULB CARRIER	9.00
0006	251891	BULB THERMOSTAT	33.00
0007	254044	INSTANT BOILER WIRING	40.80
0007	257705	WIRING BOILER WITH SHIELD	44.40
0008	254072	PUMP WITH BOARD	103.20
0008	259029	PUMP WITHOUT CARD	74.40
0009	254056	PROBE	51.60
0010	253987	BOILER COVER	8.40
0011	099844	GASKET	2.21
0012	254039	HEATING ELEMENT	90.00
0013	253986	BOILER BODY	20.52
0014	099458	TUBE FOR 2 THERMOSTAT	11.52
0015	094597	COPPER WASHER	0.40
0016	0V2129	THERMOSTAT 82 C	7.68
0017	253962	ANTI-BOIL SUPPORT BRACKET	3.42
0018	254033	BOILER INSULATION	16.20
0019	097511	SILICONE HOSE 6X9BROWN	2.52
0020	254109	HOSE CLIP DIAM. 19	0.54
0021	254569	BLUE GROUND BUCKET	13.68
0022	0V3653	LIQUID CONTAINER STOP	6.00
0023	253964	BUCKET MICROSWITCH SUPPORT	0.00
0024	094294	FLOAT	6.12
0025	252585	MICROSWITCH	3.72
0026	092703	TUBE CLAMP	0.44
0027	097515	SILICONE HOSE 10X16 BROWN	7.20
0028	093628	HOSE VIPLA TRANSPARENT DIAM MM 14X1	1.78
0029	094571	UNION 90 DEGREES	0.46
0030	253960	SPOUT SUPPORT	52.80
0031	093959	UNION Y-SHAPE DIAM 12 OUTER	0.98
0032	094185	CODENSE RECOVERY UNION	0.98
0033	0V2074	THERMOSTAT ACTUATOR	1.46
0034	250468	TRAY FUNNEL	1.06
0035	097381	ELECTROVALVE WATER-INLET 220V-4L/MIN-	13.92
0036	097383	ELECTROVALVE WATER-INLET 220V-2,5L/MIN-	13.44
0037	099815	STOPPER	0.14
0038	0V1133	AIR-BREAK ASSEMBLY	13.20
0039	0V1126	AIR-BREAK FLOAT	1.18
0040	0V1749	WATER/AIR-BREAK CONNECTION	1.32
0041	090421	GASKET OR 2025	0.26
0042	0V1141	MICROSWITCH	2.40



Hydraulic system (Instant version)

posLbl	Item	Description	Price (Eur)
0043	092387	TIGHTENING NUT	2.03
0044	092652	LOCK NUT 1/4 REV	0.80
0045	092388	TIGHTENING RING	0.60
0046	092651	INTERMEDIATE ELBOW LINK	7.20
0047	095586	BANJO UNION T-SHAPE	7.20
0048	093951	TIGHTENING NUT G 3/4	4.56
0049	093952	WATER INLET CONNECTION NIPPLE	3.60
0050	092364	UNION GASKET 3/4	0.59
0051	0V2199	UNION 1/4	2.88
0052	099805	STOPPER	0.06
0053	096656	PLUG COLLAR	0.49
0054	097378	CONNECTION PIPE	39.60
0055	253988	BOILER COVER STOPPER	3.90
0056	254584	BOILER BASIN	22.32
0057	090681	INSULATING DISK.	0.29
0058	254695	DRAIN PIPE SUPPORT	1.70
0059	254585	HOT WATER TAP	50.40
0060	251527	TAP	7.44
0061	098484	HOSE FIXING	0.18
0062	254688	7 PUMP INSTANT BOILER	876.00
0063	096264	HOSE CLIP	0.60
0064	254790	BOILER SEAL	2.58
0065	255060	BOILER HEATING-ELEMENT SPACER	7.92
0066	255107	UNION L-SHAPE D.14MM	1.67
0067	098800	TRANSPARENT HOSE (PER METER)	2.76





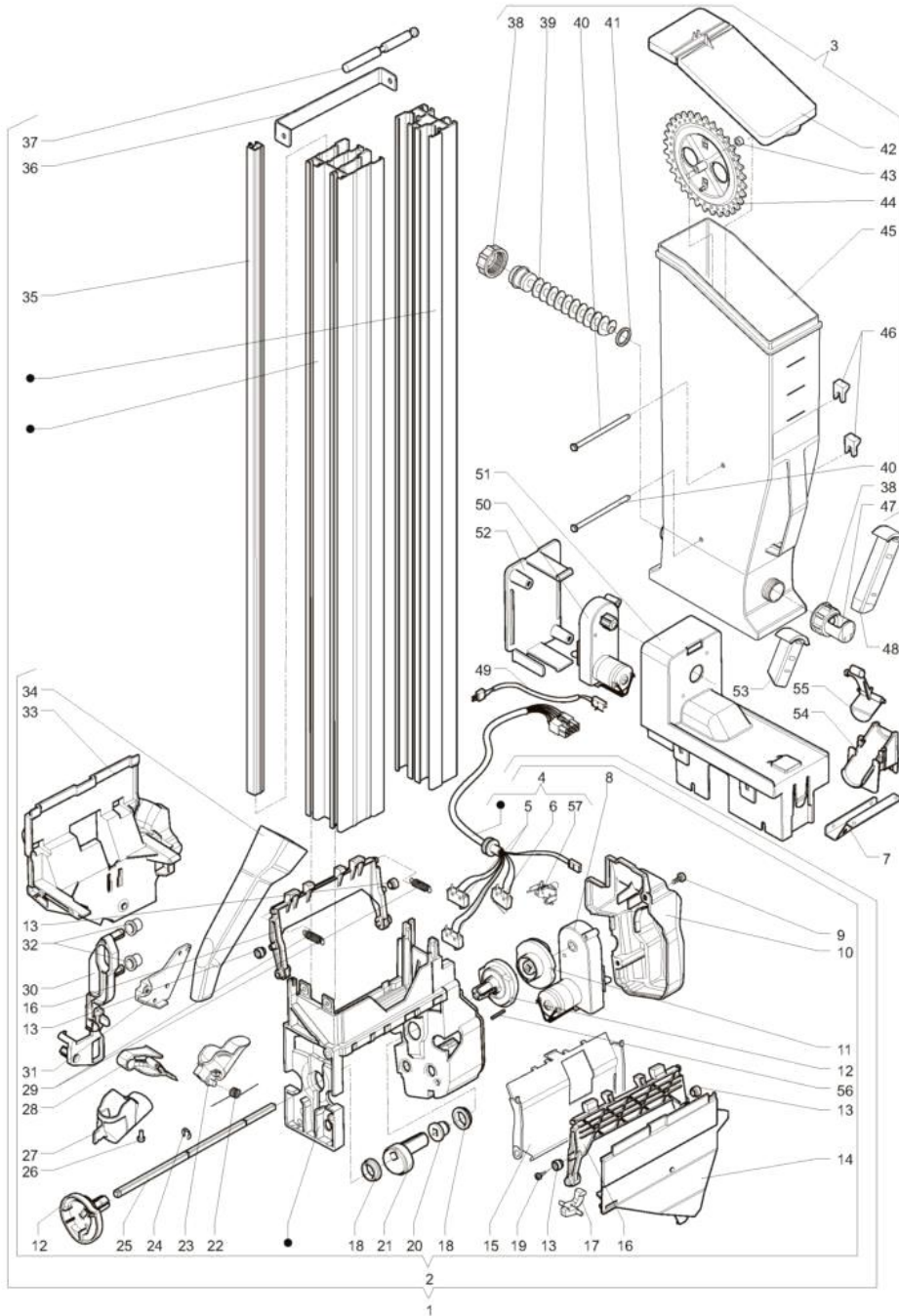
Cup dispenser

posLbl	Item	Description	Price (Eur)
0001	254077	CUPS DISTRIBUTOR D.70-71	165.60
0002	0V4187	CUP RELEASING 70/71	30.00
0003	254078	CUP TRANSLATOR D.70-71	194.40
0004	254076	CUPS-CONTAINER	56.40
0005	0V3697	MICRO GEAR	5.40
0006	0V3695	SNAIL SUPPORT	8.40
0007	098477	TOOTHED RING	2.14
0008	098305	SCROLL DIAM.70/71	0.58
0009	0V3696	SNAIL RING	8.28
0010	0V1931	MICROSWITCH 'UL'	6.00
0011	0V3694	MOTOR GEARMOTOR SUPPORT	8.40
0012	0V2549	MOTOREDUCTOR 3 G/M	39.00
0012	255251	REDUCING GEAR 3RPM 230V-50HZ	19.80
0013	987628	EJOT-PT-SCREW 30X8	0.06
0014	0V3672	RATIOMOTOR	42.60
0015	092439	MICRO TYPE 'CHERRY'	2.40
0016	0V2548	LEVER FOR MICROSWITCH	0.89
0017	254049	CUPS UNIT WIRING	16.92
0018	0V3693	CUP BASE	12.72
0019	097807	BUTTON	2.88
0020	0V3658	CUP CONTAINER COVER	4.08
0021	0V4107	CONTAINER BASE	14.16
0022	254513	CUP-STATION HANDLE	7.56
0023	254057	WIRED 90° PHOTOCCELL	162.00
0024	253966	LED PHOTOCCELL SUPPORT	10.32
0025	254052	COMPARTMENT ILLUMINATION LED	33.60
0026	253945	POWER SUPPLY LED BOARD	18.00
0027	254050	DELIVERY AREA LAMP WIRING	7.68
0028	255034	PLAIN TIP SELF-TAPPING SCREW 4X12	0.06
0029	0V3717	GLASS	2.03
0030	254005	PHOTOCCELL DELIVERY AREA	78.00
0031	254208	CATADIOPTIC PLATE	10.56
0032	253981	DISPENSING COMPARTMENT GRILLE	23.40
0033	253982	DISPENSING COMPARTMENT TRAY	14.64
0034	098800	TRANSPARENT HOSE (PER METER)	2.76
0035	254006	CENTERING COLLAR	8.88
0036	254010	WHEEL	3.60
0037	254007	NOZZLES CLOSING BOX	6.00
0038	254011	CUPS ARM ROTATION CAM	5.40
0039	254012	SELECTOR CAM	4.92
0040	253979	MOTOR LOWER COVER	8.88
0041	254015	CUPS AREA CLOSING	6.24
0042	253973	ARM FOR CUP D. 70/71	18.72
0043	252656	KNURL M5	1.10



Cup dispenser

posLbl	Item	Description	Price (Eur)
0044	253943	D. 15 ELASTIC RING	0.16
0045	254013	CUPS-COVER LEVER	4.14
0046	252540	SPRING	1.34
0047	0V2543	LEVER SPRING	0.49
0048	254008	SPACER	1.88
0049	254014	NOZZLES BOX COUPLER LEVER	6.96
0050	253977	PIVOT FOR TRANSLATOR ARM	10.56
0051	254048	CUP TRANSLATOR WIRING	20.88
0052	096355	MICRO SWITCH -UL -	4.20
0053	096863	PIVOT WASHER	0.30
0054	986614	NUT FLANGED	0.12
0055	254059	CUP TRANSLATOR MOTOR	38.40
0056	253978	MOTOR TOP COVER	10.56
0057	254009	CUP-STATION SLIDING WHEEL	3.90
0058	253963	CUP-STATION GUIDE	30.00
0059	0V3439	WHEEL BUSH	4.14
0060	253976	CUP-STATION PIVOT	2.24
0061	091959	BENZING COLLAR DIAM MM4	0.04
0062	254399	LOCK LEVER SPACER	3.42
0063	254398	BLOCK HOOK	3.84
0064	987839	RETURN SPRING	1.01
0065	096682	SCREW 6X18	0.08
0066	099931	NOZZLE D.5	3.72
0067	098459	WIRE-CLIP	0.36
0068	254556	COMPLETE BRACKET STOP	10.08
0069	254514	HOOK PIN	0.20
0070	254537	HOOK SPRING	3.54
0071	254005	PHOTOCELL DELIVERY AREA	78.00
0072	096977	KNURL	1.03
0073	252237	SPACER	0.68
0074	252234	WHEEL	0.41
0075	252214	PIN	0.90
0076	254659	CUP-STATION WHEEL SQUARE PIECE	2.40
0077	091737	CIRCLIP DIN 6799	0.04
0078	099184	CUP POSITIONING PIN	0.72
0079	254508	HOOK	15.84
0080	254507	HOOK LEVER	12.00
0081	255061	CUPS COLUMN	8.76
0082	255108	COMPLETE CUPS BALANCER	20.88





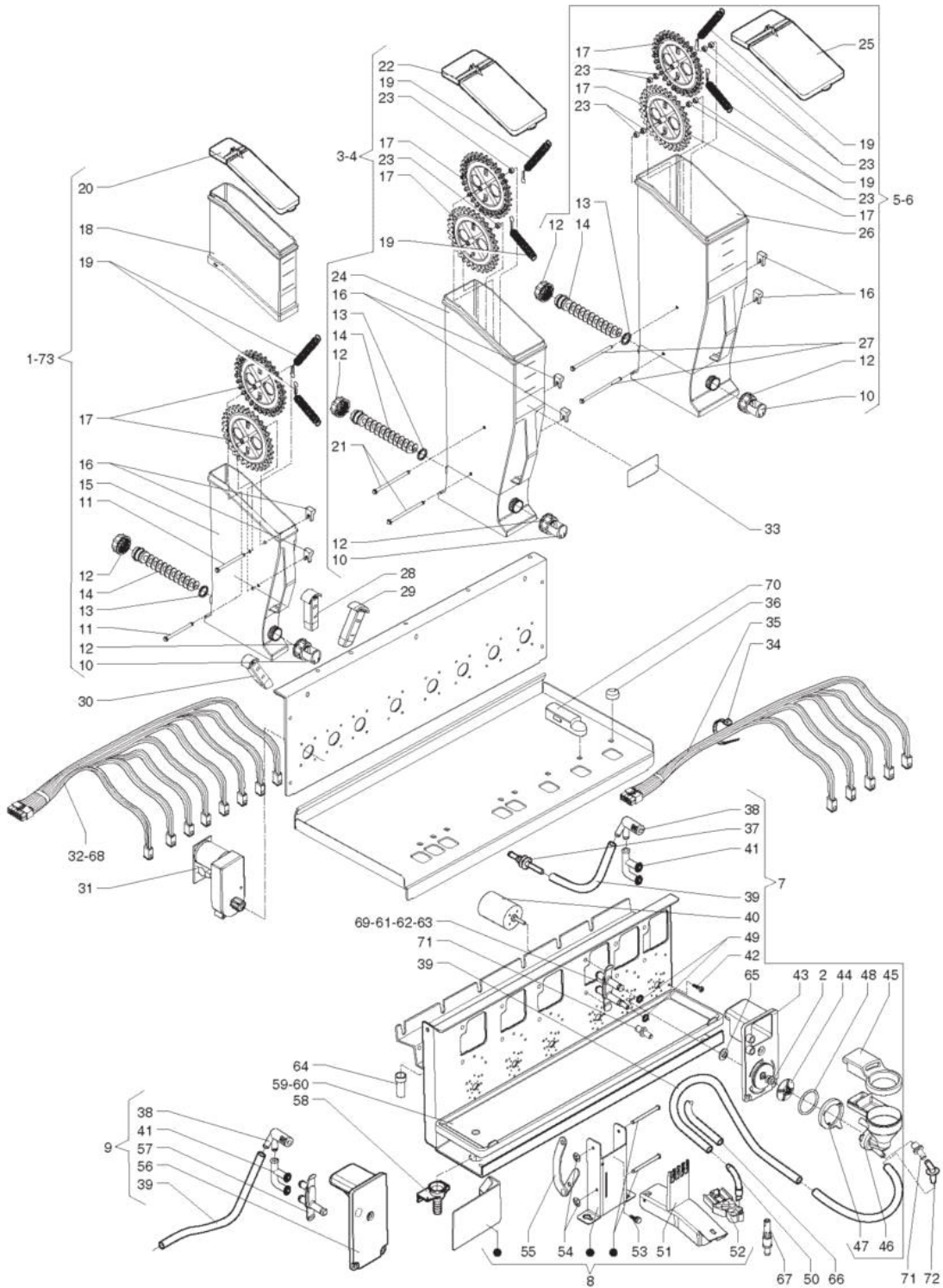
Sugar and spoons dispenser

posLbl	Item	Description	Price (Eur)
0001	254559	COMPLETE SUGAR-STIRRER DISPENSER	612.00
0002	254557	COMPLET SUGAR/STIRRER BODY	258.00
0003	254558	SUGAR CONTAINER 4.5L	36.00
0004	254547	STIRRER RELEASING WIRING	42.00
0005	254660	MICROSWITCH	4.20
0006	254661	MICROSWITCH	2.34
0007	255069	CONTAINER SUPPORT REINFORCEMENT	7.32
0008	254554	RATIOMOTOR 24V 16RPM	34.20
0009	255034	PLAIN TIP SELF-TAPPING SCREW 4X12	0.06
0010	254544	MOTOR COVER	6.84
0011	254534	MICRO-SWITCH CAM	6.60
0012	254525	LEVER CAM	3.90
0013	254511	SELECTION LEVER ROLLER	2.52
0014	254541	STIRRER CHUTE	5.76
0015	254539	INNER SUPPLY PIPE	8.76
0016	254536	SELECTION LEVER STIRRER	11.04
0017	254543	STIRRER EMPTY LEVER	1.27
0018	254696	BUSH	2.40
0019	253839	SELF-TAPPING SCREW 3X12	0.05
0020	254528	SQUARE SPINDLE THRUST BUSH	0.66
0021	254527	CONTROL CAM	2.70
0022	254510	SUGAR SPRING	3.72
0023	254529	SUGAR NOZZLE SUPPORT	4.50
0024	093171	OUTER FIXING COLLAR DIAM MM6	0.05
0025	254516	SQUARE SPINDLE THRUST	11.28
0026	098833	BUFFER	0.07
0027	254530	SUGAR NOZZLE	4.02
0028	254533	SUGAR SCRAPER	3.30
0029	254509	SELECTION LEVER SPRING	5.28
0030	254540	SUGAR CONTROL LEVER	6.24
0031	254532	SUGAR NOZZLE BRACKET	4.02
0032	254512	CONTROL ROLLER	1.60
0033	254538	STIRRER DISPENSER BODY	15.48
0034	254531	SUGAR UNION	6.72
0035	254542	STIRRER SELECTION	2.64
0036	254658	STIRRER PILE SQUARE	3.06
0037	254515	STIRRER BAR WEIGHT	1.99
0038	254090	CONTAINER RING NUT	3.42
0039	254085	SCROLL PITCH 30	4.02
0040	254093	4.5L CONTAINER WHEEL PIVOT	3.42
0041	251962	O-RING 14	2.14
0042	254583	SUGAR CONTAINER COVER 4.5L	4.56
0043	254094	SPACER	3.30
0044	254087	TOOTHED WHEEL	5.88



Sugar and spoons dispenser

posLbl	Item	Description	Price (Eur)
0045	254562	SUGER CONTAINER CASING	16.92
0046	254089	PIN STOP	4.08
0047	254086	POWDER PIPETTE	3.30
0048	253996	LEFT POWDER FEEDER	2.58
0049	254550	SUGAR DOSING UNIT WIRING	6.84
0050	254553	RATIOMOTOR	32.40
0051	254535	CONTAINER SHELF	18.00
0052	254545	MOTOR HOUSING COVER	5.04
0053	254685	SHORT PIPE	6.84
0054	254686	CONVEYOR	6.84
0055	254687	CONVEYOR CLOSING	6.96
0056	254702	ELASTIC PLUG 2X30	0.38
0057	254546	MICRO COVERING	6.12





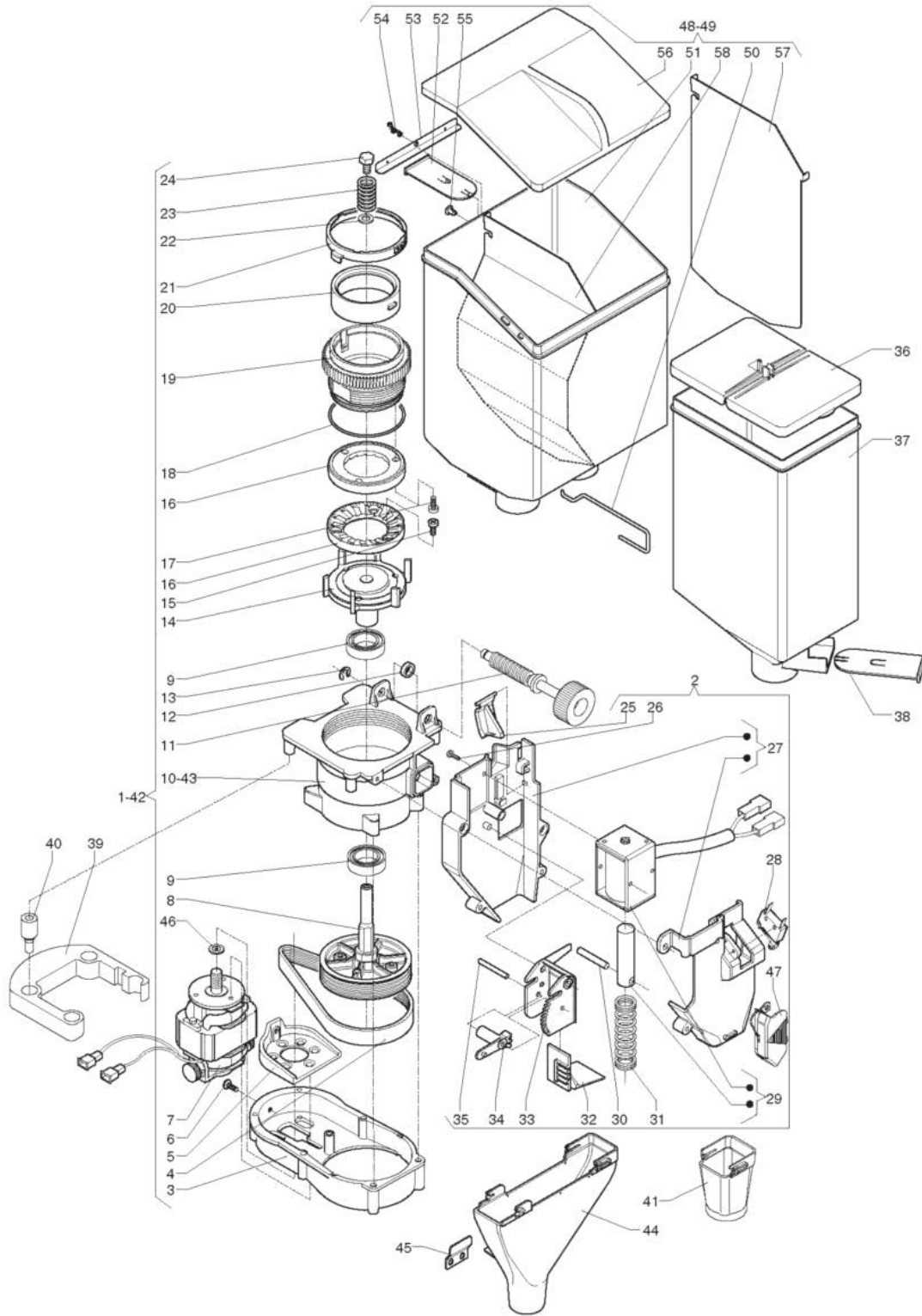
Mixer and canister

posLbl	Item	Description	Price (Eur)
0001	254073	2.5L CANISTER -1 WHEEL-	37.80
0002	39400401	V-RING	0.53
0003	254074	4.5L CANISTER -1 WHEEL-	30.00
0004	254215	4.5L CANISTER -2 WHEELS-2 SPR INGS-	56.40
0005	254075	6L CANISTER -2 WHEELS-2 SPRINGS-	55.20
0006	254214	6L CANISTER -1 WHEEL-	31.20
0007	254070	SOUTH EUROPE MIXER ASSEMBLY	110.40
0008	254848	DISPENSE SPOUT SUPPORT -ES-	62.40
0009	254064	WATER DISPENSING ASSEMBLY	35.40
0010	254086	POWDER PIPETTE	3.30
0011	254088	2.5L CONTAINER WHEEL PIVOT	3.54
0012	254090	CONTAINER RING NUT	3.42
0013	251962	O-RING 14	2.14
0014	254085	SCROLL PITCH 30	4.02
0015	254082	2.5L LOWER CONTAINER CASING	25.80
0016	254089	PIN STOP	4.08
0017	254087	TOOTHED WHEEL	5.88
0018	254084	2.5L UPPER CONTAINER CASING	14.64
0019	254419	BEATER SPRING	13.20
0020	254083	LID FOR 2.5L CONTAINER	6.72
0021	254093	4.5L CONTAINER WHEEL PIVOT	3.42
0022	254092	LID FOR 4.5L CONTAINER	7.08
0023	254094	SPACER	3.30
0024	254091	4.5L CONTAINER CASING	30.00
0025	254096	LID FOR 6L CONTAINER	9.12
0026	254095	6L CONTAINER CASING	30.00
0027	254097	6L CONTAINER WHEEL PIVOT	3.60
0028	253994	CENTRAL POWDER CONVEYOR	2.52
0029	253996	LEFT POWDER FEEDER	2.58
0030	253995	RIGHT POWDER FEEDER	1.70
0031	254058	MOTORDOSER	30.00
0032	254047	MOTORDOSER WIRING -IN-	28.20
0033	097502	NAMEPLATE GROUP CONTAINER INSTANT P	1.46
0034	090148	CLIP	0.05
0035	254042	MIXER WIRING	20.88
0036	253993	CANISTER FASTENER	0.79
0037	099931	NOZZLE D.5	3.72
0038	254065	SAFETY-VALVE	14.16
0039	254565	SILICONE HOSE 5X9-BLUE-	4.14
0040	254038	MOTORMIXER	36.00
0040	254842	MOTORMIXER	37.80
0041	254002	NOZZLE COIL	3.60
0042	092657	CLOSS SLOT SCREW 3X6TC .	0.05
0043	253990	MIXER FLANGE	6.96



Mixer and canister

posLbl	Item	Description	Price (Eur)
0044	253991	MIXER VENTILATOR	1.32
0045	253992	MIXER LID	2.70
0046	253989	MIXER BODY -SOUTH EUROPE-	3.12
0047	253998	MIXER RING NUT	1.44
0048	253985	GASKET OR 3137	3.36
0049	253984	GASKET OR 2021	0.56
0050	254822	BLUE NOZZLE	0.88
0051	254018	SPOUT SUPPORT	6.12
0052	250163	SPOUT SUPPORT	3.84
0053	096977	KNURL	1.03
0054	093198	CIRCULAR JUNK RING .	0.12
0055	254062	CUP-STATION LOCK-OUT LEVER	11.04
0056	254001	MIXER PLUG	4.80
0057	254000	WATER INLET NOZZLE	4.92
0058	250468	TRAY FUNNEL	1.06
0059	253980	MIXER TRAY -IN-	20.52
0060	254518	MIXER TRAY -ES-	12.00
0061	253999	SINGLE ORANGE NOZZLE (11-13CC)	4.32
0062	254209	DOUBLE MAGENTA NOZZLE (19-22CC)	3.78
0063	254210	DOUBLE ORANGE NOZZLE (22-25CC)	3.96
0064	298164	DRAIN UNION	2.94
0065	39733800	MIXER WHISK BUSHING	0.38
0066	254566	SILICONE HOSE 3X6-BLUE-	2.24
0067	254400	BLUE COFFEE DISPENSING SPOUT	3.66
0068	254549	DOSERS WIRING -ES-FB-	26.40
0069	254689	SINGLE MAGENTA NOZZLE (9-11CC)	4.56
0070	254719	HEATED CONTAINER STOP	2.17
0071	097914	COFFEE CHOKE	0.90
0072	253267	MIXER CONVEYOR CONNECTION	2.76
0073	254574	2 SPRINGS 2 WHEELS 2.5L CANISTER	55.20



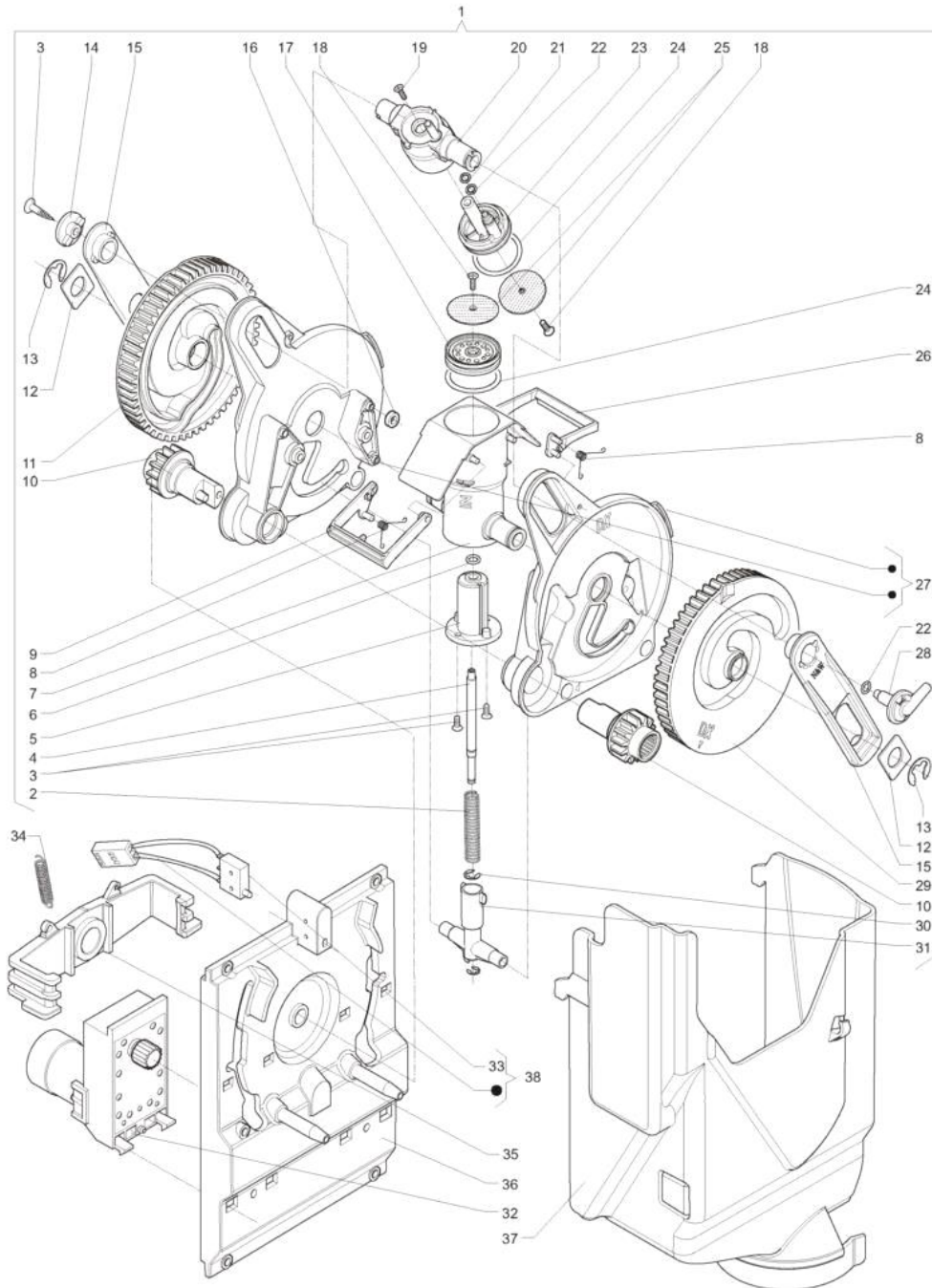


Grinder doser unit

posLbl	Item	Description	Price (Eur)
0001	254423	COMPLETE BELT GRINDER	276.00
0002	254424	COFFEE DOSER	67.20
0003	298147	REDUCER BODY	7.20
0004	298152	BELT	24.60
0005	298144	BELT SLIDE	5.40
0006	298143	SCREW M5X16	0.11
0007	254426	BELT GRINDER MOTOR	79.20
0008	298151	PULLEY ASSEMBLY	22.68
0009	298155	RADIAL BEARING	10.32
0010	298148	GRINDER CAP	33.60
0011	099474	REGULATION SCREW	2.76
0012	099457	WASHER	0.80
0013	093171	OUTER FIXING COLLAR DIAM MM6	0.05
0014	298145	GRINDER-HOLDER FAN	8.64
0015	255032	TREFOIL SCREW M4X10	0.06
0016	254469	GRINDER	25.20
0017	255033	SELF-TAPPING SCREW 4X10	0.06
0018	095805	GASKET O-RING	0.32
0019	298149	GRINDER HOLDER	14.64
0020	298146	GRINDER COLLAR	6.60
0021	298150	ADJUSTMENT SCALE	4.68
0022	096988	WASHER	0.05
0023	099471	SPRING	1.10
0024	099472	LEFT SCREW	1.22
0025	099475	ACTUATOR	0.26
0026	092657	CLOSS SLOT SCREW 3X6TC .	0.05
0027	251128	COFFEE DOSER-BODY	7.44
0028	0V2131	BURGESS MICRO-SWITCH	3.30
0029	098716	ELECTROMAGNET 220V	39.60
0030	093832	ROD PIVOT	0.42
0031	098696	SPRING DOSER ELECTROMAGNET	0.30
0032	098643	RULE COFFEE-DOSES	0.86
0033	254427	SHUTTER COFFEE-DOSER+PLATE	2.70
0034	253637	LEVER FOR RULE	2.10
0035	098822	PIN FOR LEVER	0.44
0036	254517	COFFEE CONTAINER LID	9.60
0037	254520	COFFEE CANISTER	36.00
0038	098630	ROLL-UP FOR CONTAINER	1.78
0039	0V2628	INSULATOR	3.12
0040	099484	LITTLE RUBBER	0.44
0041	254521	COFFEE CONVEYOR	4.26
0042	254799	DOUBLE COFFEE RIGHT GRINDER	294.00
0043	254798	RIGHT GRINDER CAP DOUBLE COFFEE	39.00
0044	254684	DOUBLE COFFEE CONVEYOR	11.28



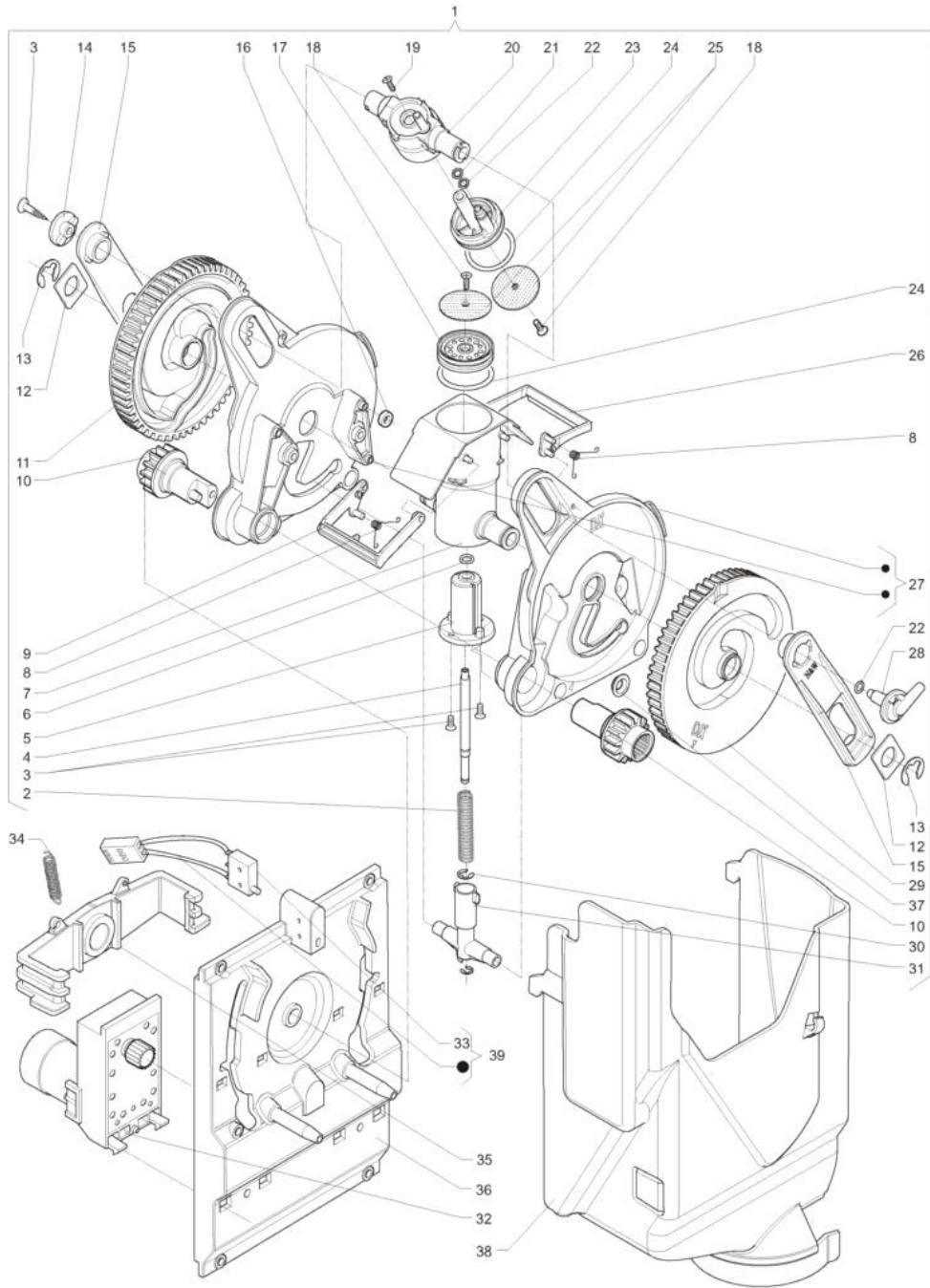
posLbl	Item	Description	Price (Eur)
0045	254800	DOUBLE COFFEE STOP SUPPLY PIPE	3.06
0046	254843	BELT RETAINER WASHER	4.20
0047	254834	SIDE BATCHER LID	2.03
0048	250297	DOUBLE COFFEE CONTAINERASSY.	93.60
0049	251124	50/50 COFFEE CONTAINER ASSEMBLY	92.40
0050	250300	SHUTTERHOOK	3.66
0051	250042	DOUBLE CONTAINER POUR COFFEE	34.20
0052	098630	ROLL-UP FOR CONTAINER	1.78
0053	250299	SHUTTER SQUARE	9.84
0054	093809	COUPLING	0.24
0055	099727	STOPPER	0.23
0056	250041	COVER FOR DOUBLE CONTAINER	7.92
0057	251215	50/50 SEPARATOR	24.00
0058	253473	30/70 SEPARATOR	38.40





Coffee unit Z4000 Ø 38 (South Europe)

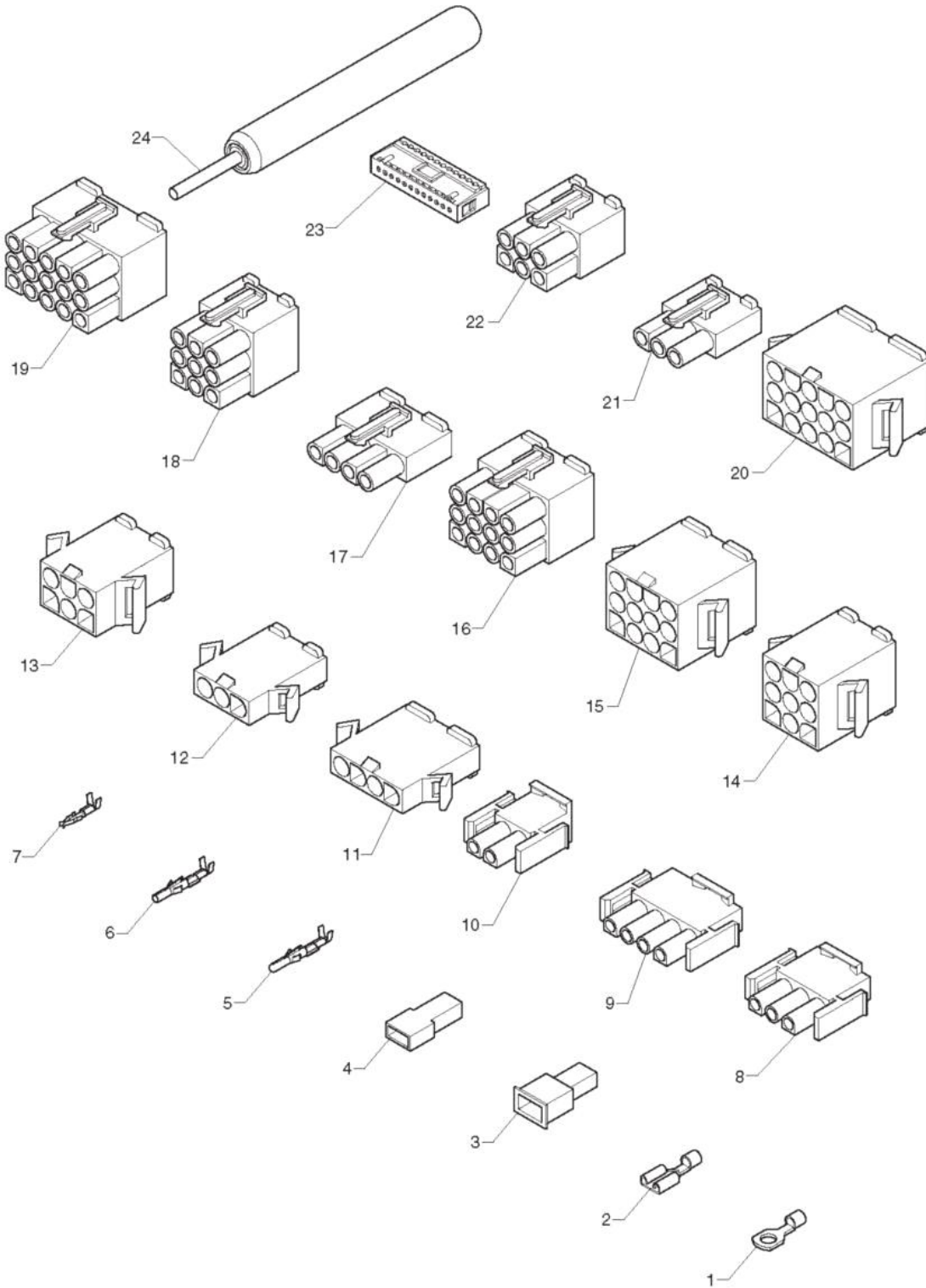
posLbl	Item	Description	Price (Eur)
0001	254325	Z4000 COFFEE ASSEMBLY D.38	154.80
0002	098688	PISTON RETURN SPRING	1.15
0003	255031	SELF-TAPPING SCREW 4,2X26	0.12
0004	254329	PISTON ROD D.38	3.84
0005	254648	BOTTOM D.38	2.76
0006	0V0782	O-RING 2025	0.07
0007	254646	BREWING CHAMBER D.38	12.72
0008	254328	SCRAPER SPRING	3.84
0009	254330	UPPER SCRAPER D.38	6.72
0010	254651	PINION D.38	3.24
0011	254653	LEFT CRANK D.38	6.36
0012	254654	GUIDE SLIDING BLOCK	1.60
0013	096569	FIXING COLLAR DIAM 12	0.68
0014	254655	UPPER PISTON KEY	2.76
0015	254327	TRACE FOR PISTON COMMAND D.38	4.14
0016	099457	WASHER	0.80
0017	254647	LOWER PISTON D.38	4.80
0018	255047	SCREW M3X10 -INOX-	0.05
0019	255034	PLAIN TIP SELF-TAPPING SCREW 4X12	0.06
0020	254649	UPPER PISTON CROSS-PIECE D.38	6.00
0021	254650	GASKET O-RING 1,9X2,4	0.26
0022	094611	GASKET O-RING 2018	0.06
0023	254474	UPPER PISTON	11.76
0024	093167	SILICONE GASKET OR 4118.	0.92
0025	098687	COFFEE FILTER	3.24
0026	254657	SCRAPER	4.38
0027	254331	RH-LH SUPPORT D.38	21.96
0028	254795	COFFEE DISPENSING SPOUT	1.99
0029	254652	RIGHT CRANK D.38	7.20
0030	098818	STOPPING RING D.4	0.12
0031	254473	PISTON ROD GUIDE D.38	3.30
0032	254552	RATIOMOTOR 24V	91.20
0033	254660	MICROSWITCH	4.20
0034	253220	LEVER SPRING	0.44
0035	254523	Z4000 GROUP COUPLER	10.56
0036	254522	Z4000 INTERFACE PLATE	23.04
0037	254847	COVER Z4000	18.00
0038	298173	MICRO WITH WIRING	11.52





Coffee unit Z4000 Medium

posLbl	Item	Description	Price (Eur)
0001	255081	Z4000 COFFEE ASSEMBLY D.46	237.60
0002	098688	PISTON RETURN SPRING	1.15
0003	255031	SELF-TAPPING SCREW 4,2X26	0.12
0004	255082	PISTON ROD MEDIUM	6.24
0005	254669	BOTTOM D.46	7.92
0006	0V0782	O-RING 2025	0.07
0007	254668	BREWING CHAMBER D.46	13.68
0008	254328	SCRAPER SPRING	3.84
0009	254677	UPPER SCRAPER D.46	10.08
0010	254673	PINION D.46	5.40
0011	254675	LEFT CRANK D.46	16.56
0012	254654	GUIDE SLIDING BLOCK	1.60
0013	096569	FIXING COLLAR DIAM 12	0.68
0014	254655	UPPER PISTON KEY	2.76
0015	254665	CONNECTING ROD D.46	8.04
0016	099457	WASHER	0.80
0017	255083	LOWER PISTON MEDIUM	8.40
0018	094508	SCREW TS M4X10	0.12
0019	255034	PLAIN TIP SELF-TAPPING SCREW 4X12	0.06
0020	254671	UPPER PISTON CROSS-PIECE D.46	10.56
0021	254650	GASKET O-RING 1,9X2,4	0.26
0022	094611	GASKET O-RING 2018	0.06
0023	254672	UPPER PISTON D.46	13.92
0024	251757	SILICONE OR SEAL GASKET	3.30
0025	251755	DIAM. 42 COFFEE FILTER	4.32
0026	254676	LOWER SCRAPER D.46	6.12
0027	254678	RH-LH SUPPORT D.46	35.40
0028	254795	COFFEE DISPENSING SPOUT	1.99
0029	254674	RIGHT CRANK D.46	16.56
0030	098818	STOPPING RING D.4	0.12
0031	254670	PISTON ROD GUIDE D.46	7.80
0032	254552	RATIOMOTOR 24V	91.20
0033	254660	MICROSWITCH	4.20
0034	253220	LEVER SPRING	0.44
0035	254805	Z4000 D.46 GROUP COUPLER	7.68
0036	254804	Z4000 D.46 INTERFACE PLATE	27.00
0037	254667	RETAINER WASHER	3.66
0038	254847	COVER Z4000	18.00
0039	298173	MICRO WITH WIRING	11.52





posLbl	Item	Description	Price (Eur)
0001	090957	EYELET TERMINAL	0.16
0002	090959	FASTON W/O TONGUE	0.00
0003	091192	FASTON COVER	0.14
0004	090247	FEMALE FASTON COVER	0.12
0005	095955	TERMINAL MALE	0.14
0006	096136	TERMINAL FEMALE	0.18
0007	094405	TERMINAL FEMALE 2,5	0.07
0008	094954	FEMALE HOLDER CONNECTOR 3-WAYS	2.46
0009	098062	4-WAY CONNECTOR MATE-N-LOK AMP	0.55
0010	094955	FEMALE HOLDER CONNECTOR 2-WAYS	0.38
0011	0V0809	4-PIN CONNECTOR/P MOLEX 3191	0.90
0012	0V0808	3-PIN CONNECTOR/P MOLEX 3191	0.77
0013	0V0810	6-PIN CONNECTOR/P MOLEX 3191	1.18
0014	0V0811	9-PIN CONNECTOR/P MOLEX 3191	1.30
0015	0V0812	12-PIN CONNECTOR/P MOLEX 3191	1.96
0016	0V0818	12-PIN CONNECTOR/P MOLEX 3191	0.00
0017	0V0815	4-PIN CONNECTOR/P MOLEX 3191	0.94
0018	0V0817	9-PIN CONNECTOR/P MOLEX 3191	1.27
0019	0V0819	15-PIN CONNECTOR/P MOLEX 3191	2.17
0020	0V0813	15-PIN CONNECTOR/P MOLEX 3191	2.06
0021	0V0814	3-PIN CONNECTOR/P MOLEX 3191	0.72
0022	0V0816	6-PIN CONNECTOR/P MOLEX 3191	1.25
0023	094961	FEMALE HOLDER CONNECTOR P.I. 12-W	1.18
0024	0V0820	MOLEX CONTACT PULLER	55.20